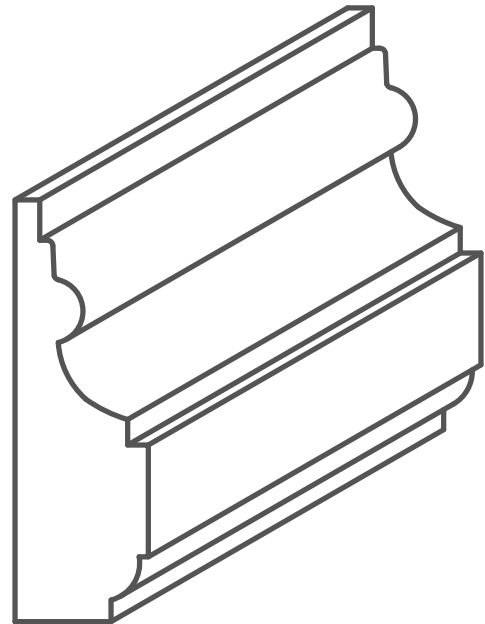


FULL SCALE



CR 2009