

MEADORS



SINCE 1984



First Edition

MILLWORK CATALOG

www.meadorsmillwork.com

@meadorsmillwork 

2811 Azalea Drive, Charleston SC

843.723.8585

www.meadorsinc.com

New and historic profiles of Charleston and the Lowcountry

The Meadors Custom Millwork Catalog is a collection of profiles representing our 30+ years of making custom trim profiles as part of our work preserving the rich architectural history of Charleston and the South Carolina Lowcountry.

Our custom cabinetry and millwork workshop has built cabinetry, furniture, trim, door and window packages, and other details found in residences and commercial buildings. We offer all of these services, and are pleased to offer this catalog of profiles as a resource founded through experience and craftsmanship.

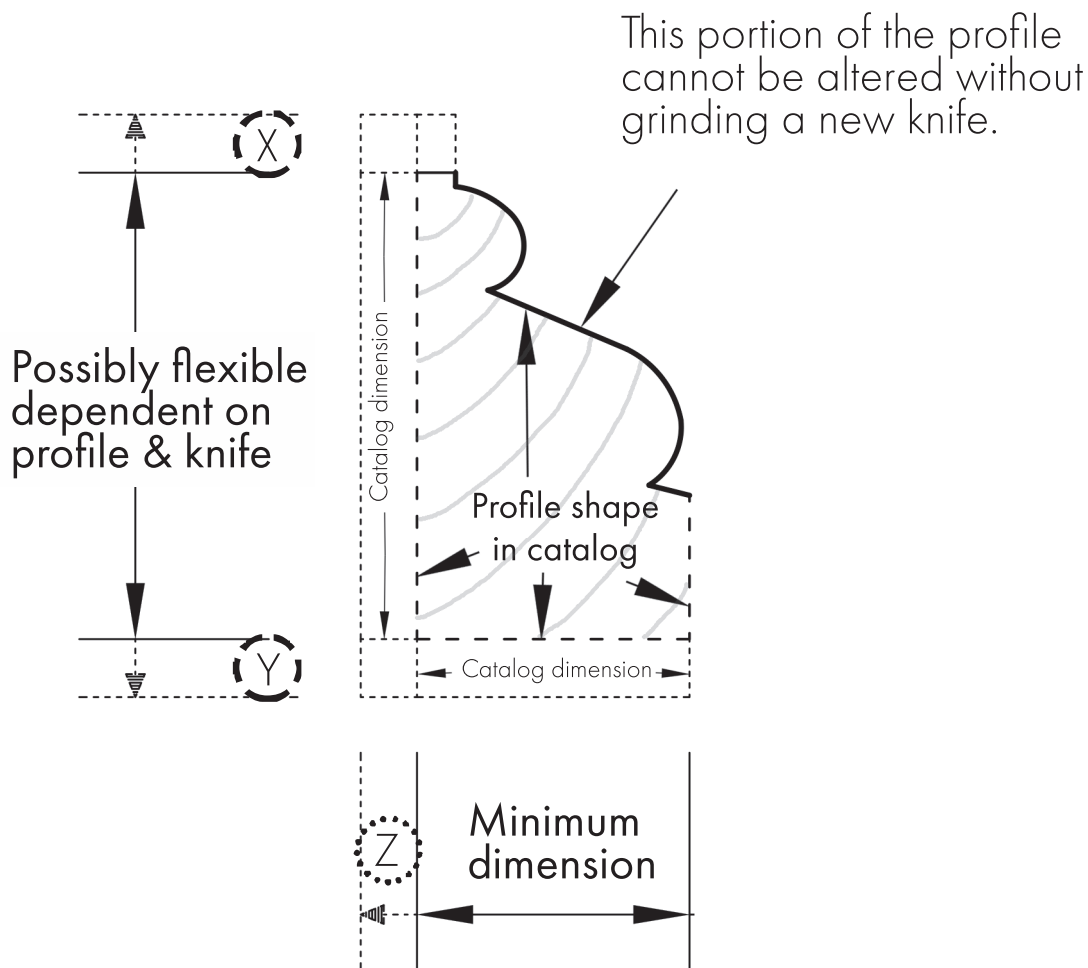
Inspired by a diversity of work, our extensive collection offers historically accurate profiles documented from projects throughout Charleston's historic district to new designs of profiles created for some of the beautiful projects we have completed.

Whether in need of 1 foot or 10,000 feet, contemporary or historic replications, our shop can provide architects, contractors, and homeowners with custom profiles in various wood species and with short lead times.

Please contact us with your project needs and any questions you have. We would love to help you complete successful projects by providing you with our millwork services.

Millwork profiles in the catalog can sometimes be customized without grinding a new knife but by adjusting the set-up in our molder.

Dimension Z below is typically flexible.
Dimensions X and Y can be flexible, depending on the profile.
The solid profile line is fixed and cannot be changed.



 Possibly flexible

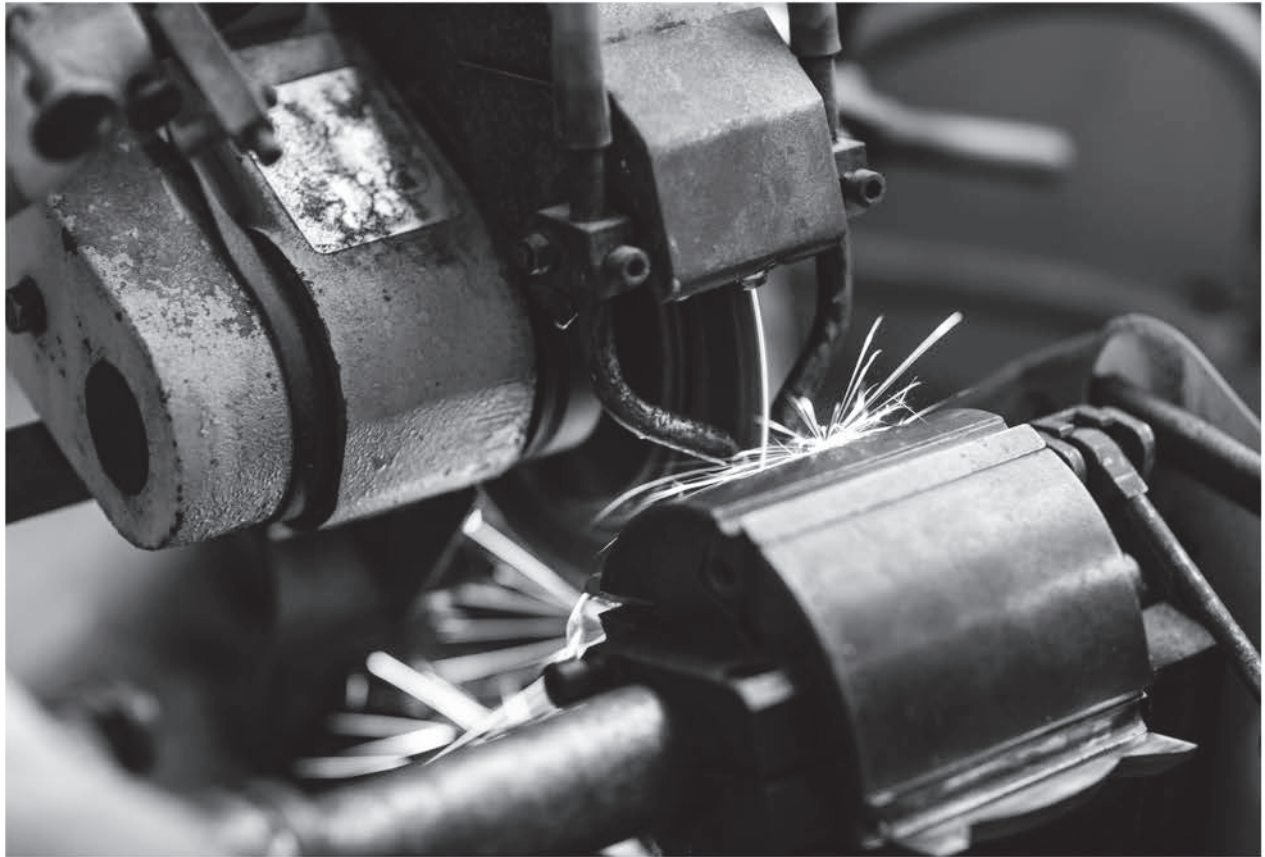
 Flexible

Index	Page
Millwork	1
Cabinetry	2
Doors	3
Windows	4
Back Bands	5
Base Boards	16
Base Caps	20
Bead Boards	28
Beads	30
Bed Moldings	35
Casings	39
Chair Rails	57
Cope and Stick	63
Coves	69
Crowns	73
Handrails	99
Mantels	107
Nosings	115
Panel Moldings	117
Picture Railings	151
Raised Panels	153
Siding	160
Tongue and Groove	162
Versatile Profiles	165
Millwork Assemblies	179

MEADORS

SINCE 1984

ARCHITECTURE CONSERVATION & PRESERVATION CABINETRY & MILLWORK
CONSTRUCTION ESTATE MANAGEMENT & MAINTENANCE DESIGN SERVICES



2811 Azalea Drive
Charleston, South Carolina
29405

Tel: 843 723 8585

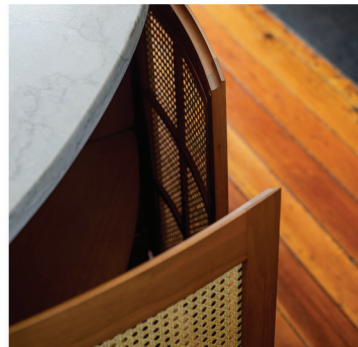
www.meadorsinc.com | www.meadorsmillwork.com

Follow us on Instagram @meadorsmillwork



Contact us for just about any millwork you need

MEADORS CABINETS

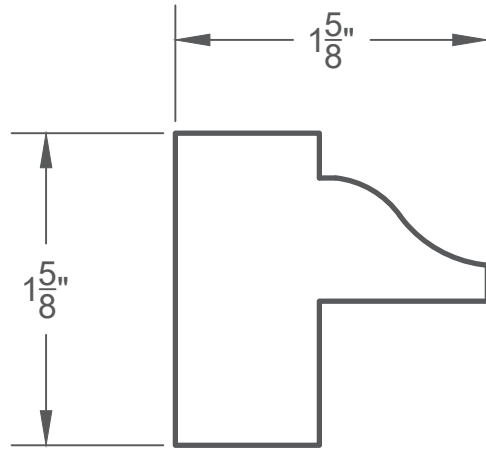
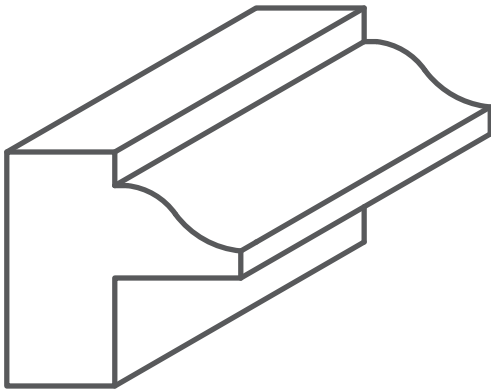




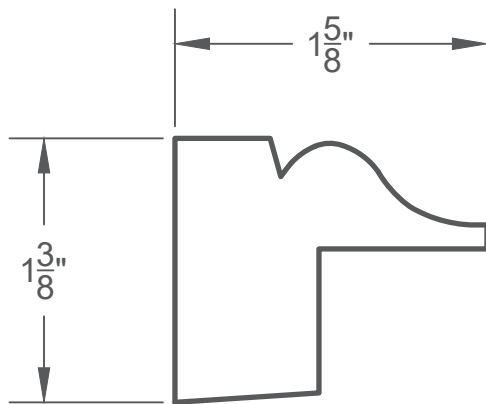
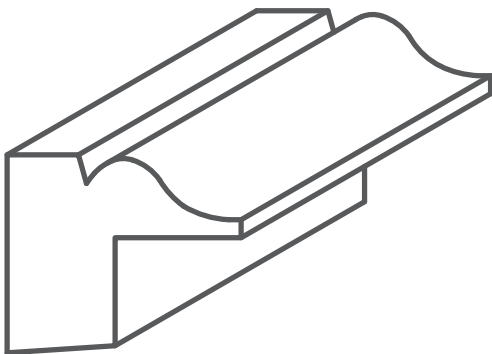
MEADORS DOORS

MEADORS WINDOWS





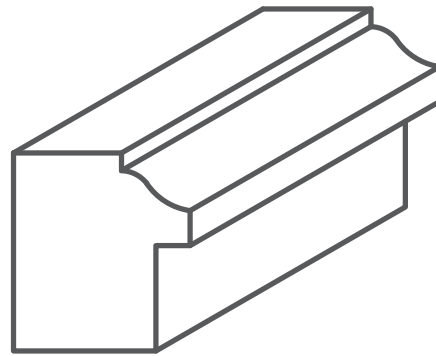
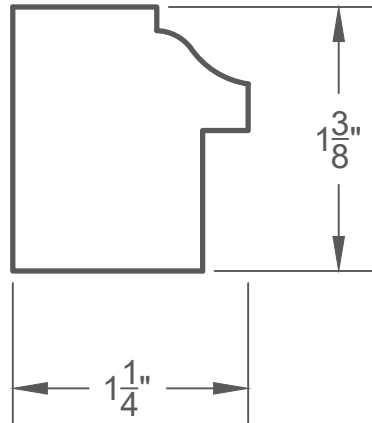
BB 1001 FULL SCALE



BB 1003 FULL SCALE

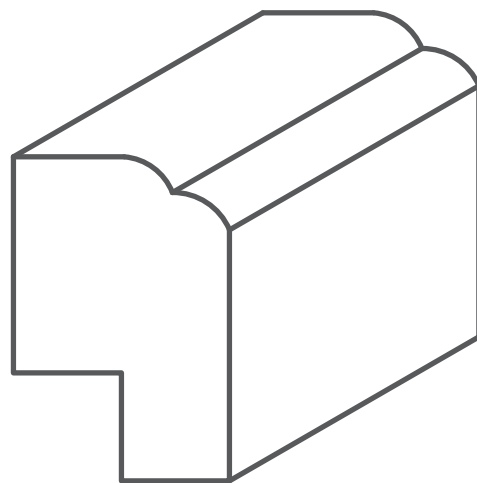
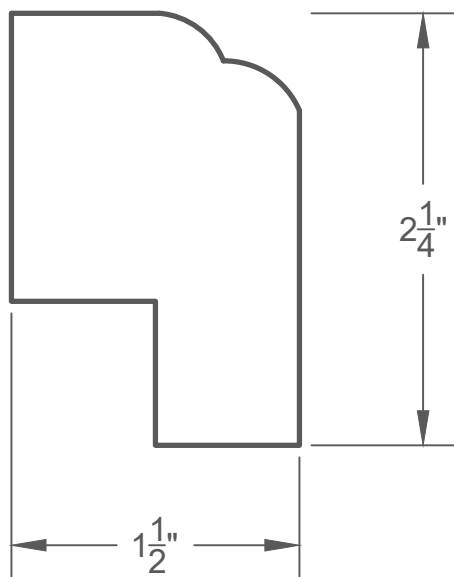
BACK BANDS

BACK BANDS



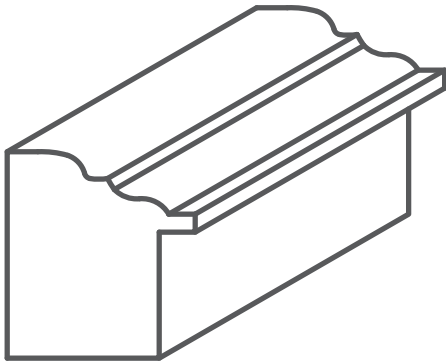
NOT TO SCALE

BB 1014 FULL SCALE

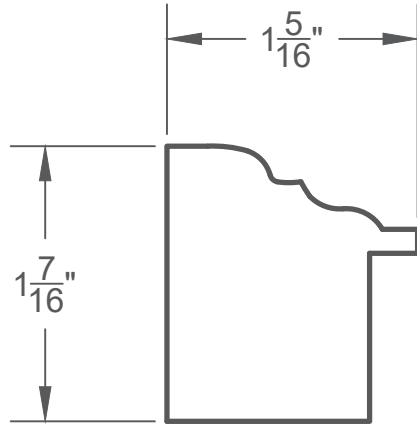


NOT TO SCALE

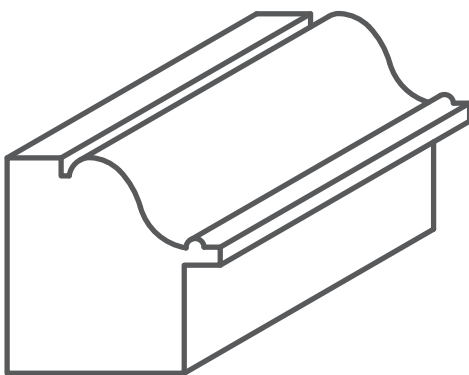
BB 2009 FULL SCALE



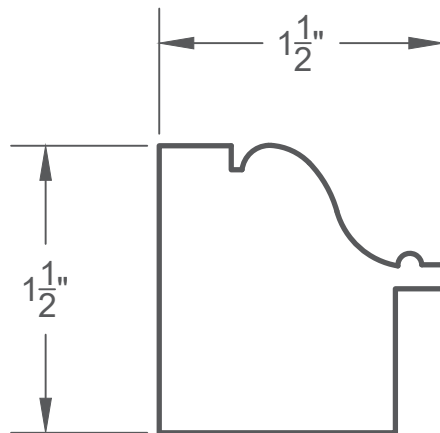
NOT TO SCALE



BB 1002 FULL SCALE

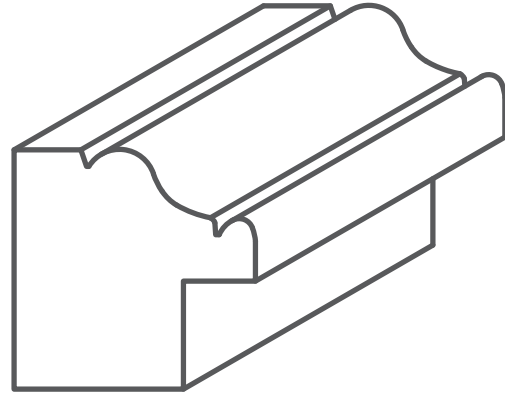
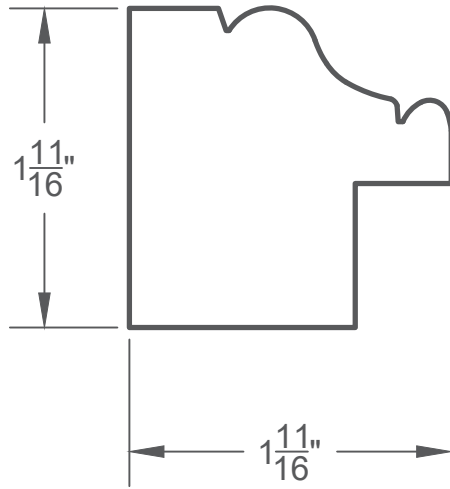


NOT TO SCALE



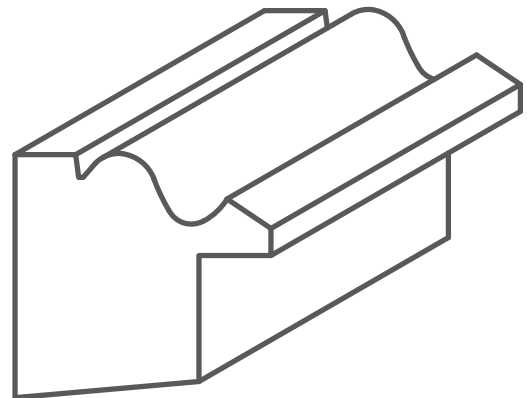
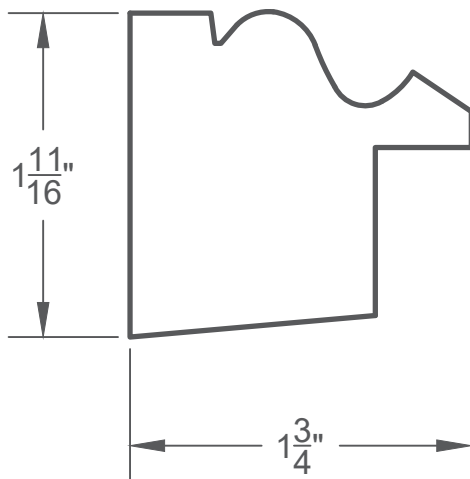
BB 1004 FULL SCALE

BACK BANDS



NOT TO SCALE

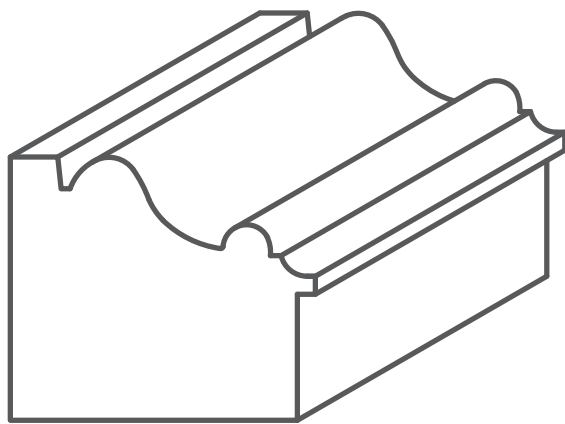
BB 1006 FULL SCALE



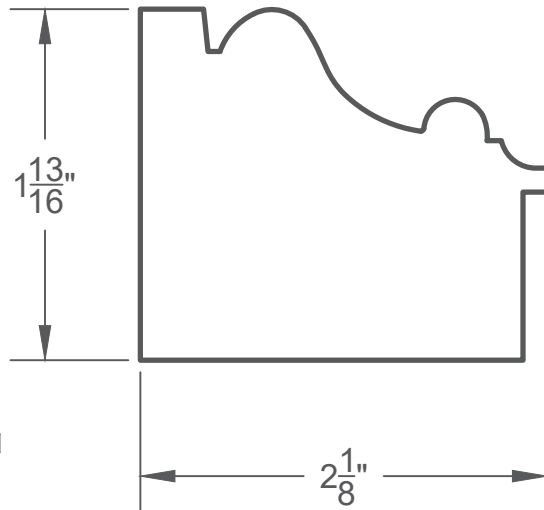
NOT TO SCALE

BB 1008 FULL SCALE

BACK BANDS

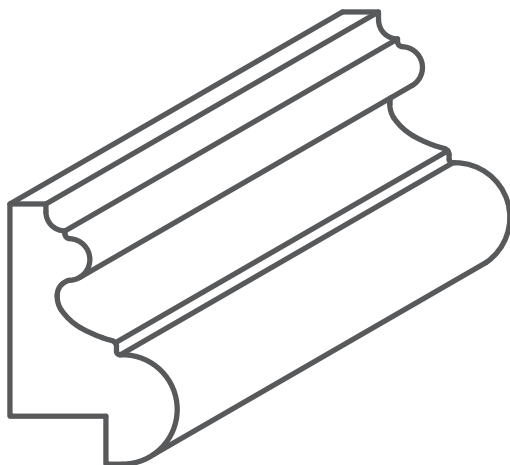


NOT TO SCALE



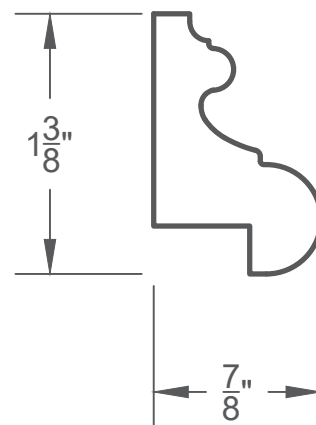
BB 2002

FULL SCALE

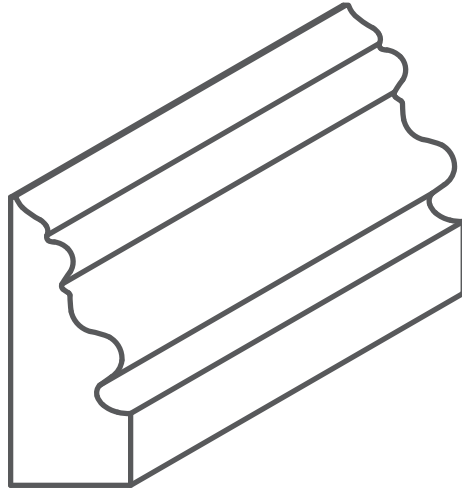
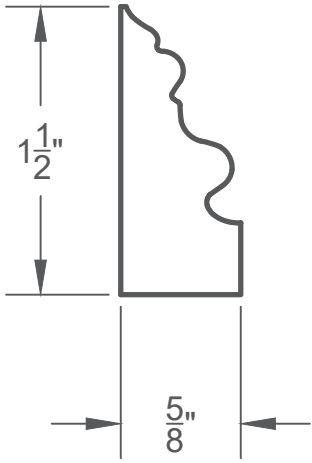


BB 1005

FULL SCALE

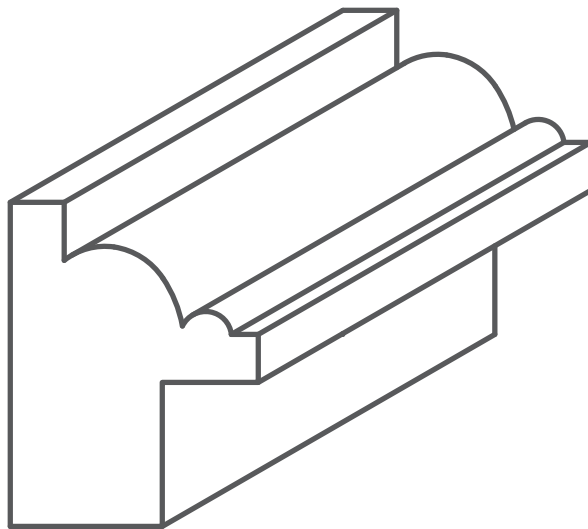
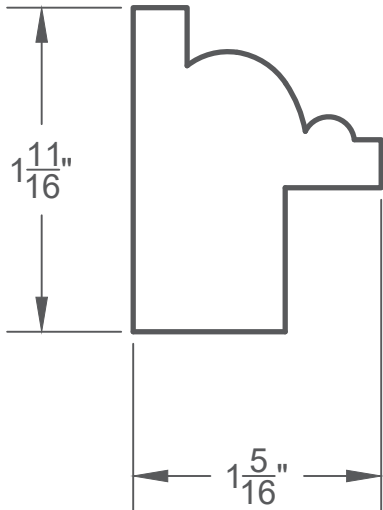


BACK BANDS

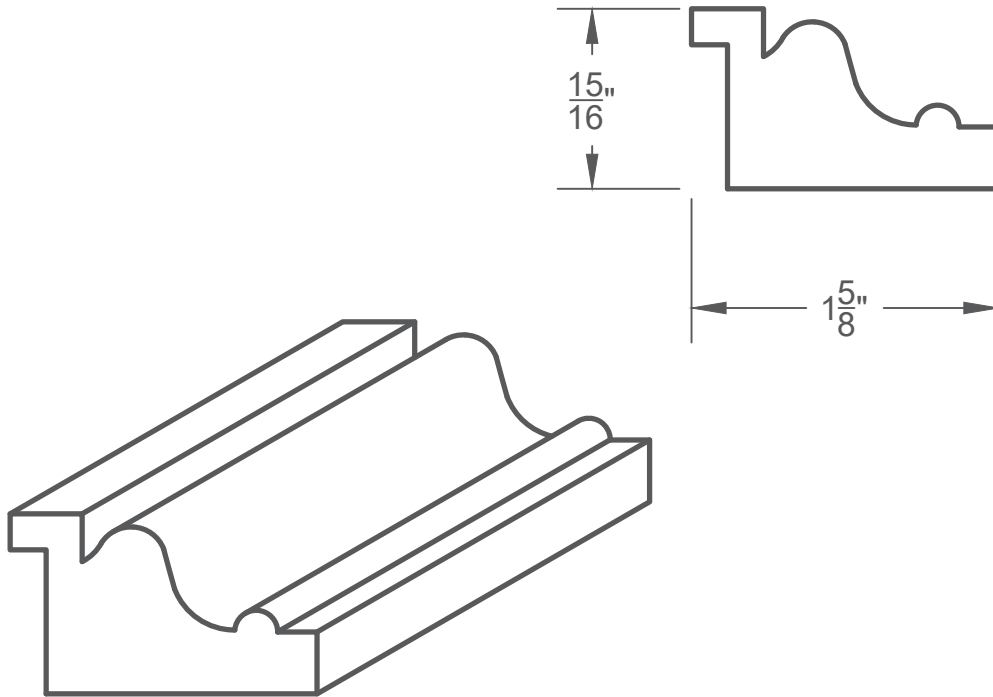


BB 1009 FULL SCALE

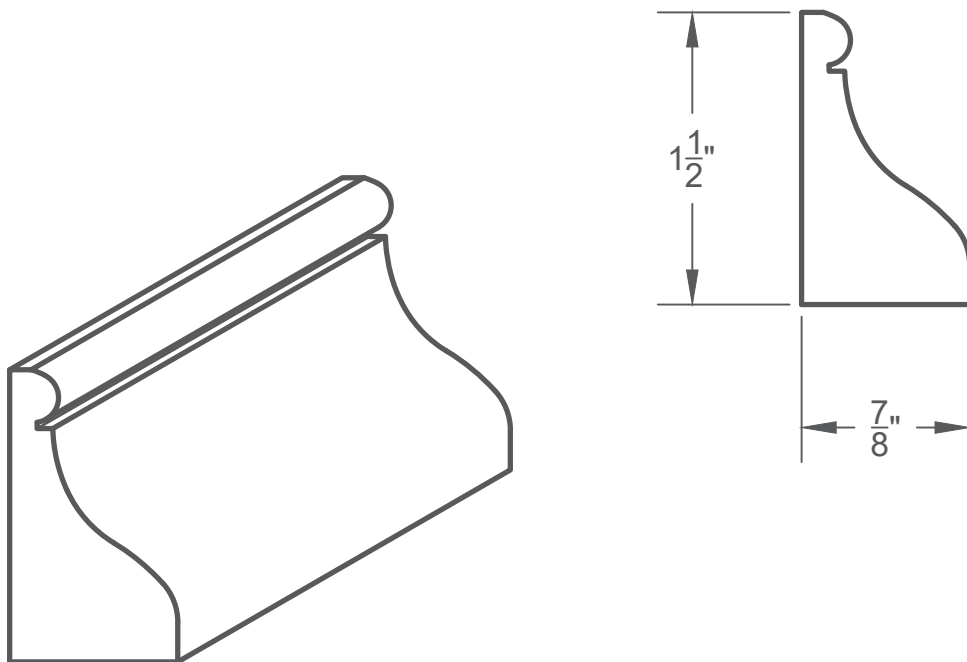
BACK BANDS



BB 1007 FULL SCALE

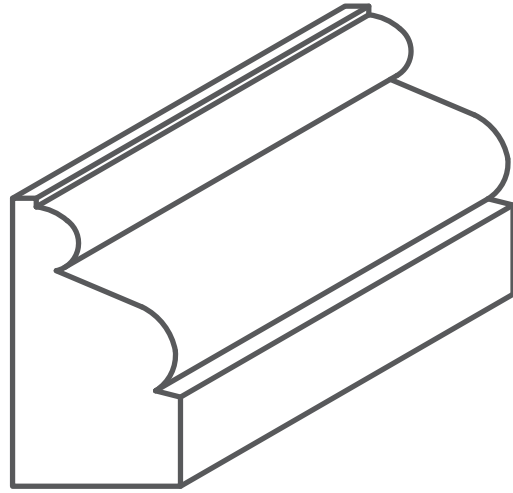
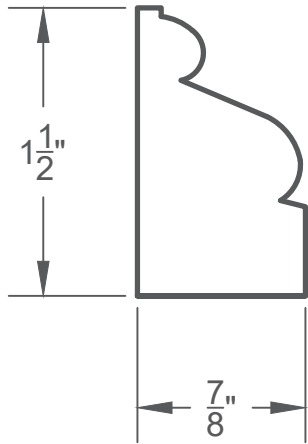


BB 1010 FULL SCALE

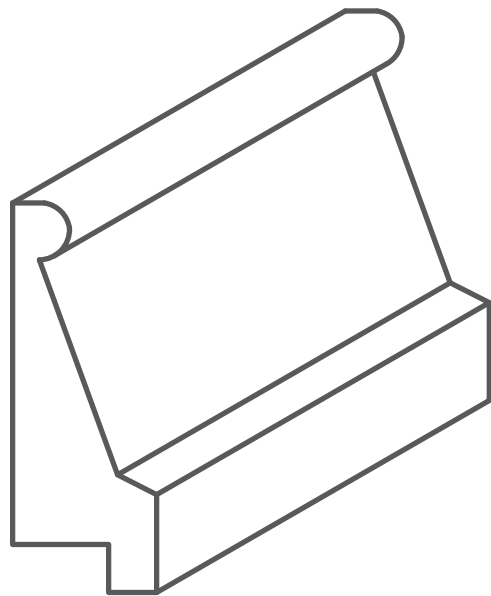
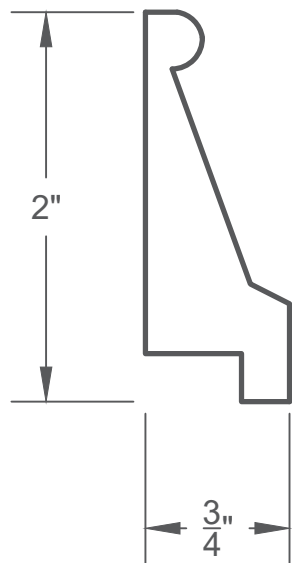


BB 1011 FULL SCALE

BACK BANDS

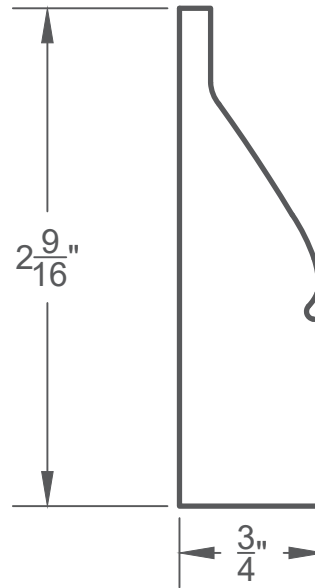
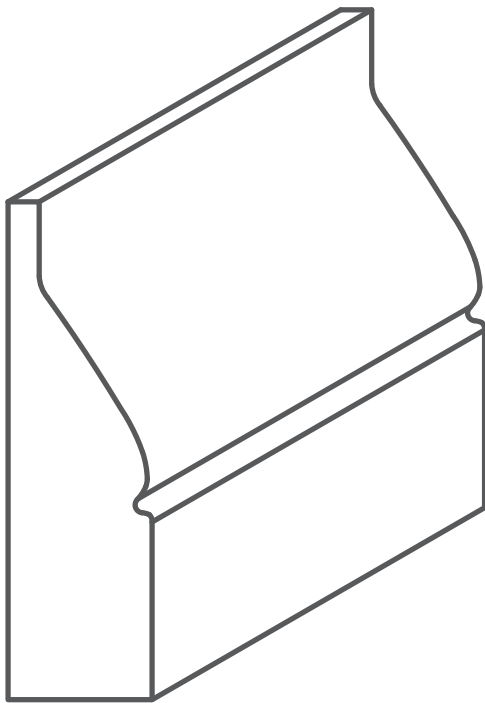


BB 1012 FULL SCALE

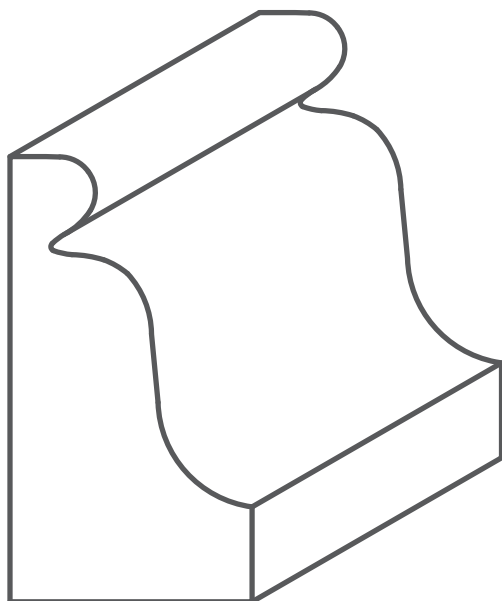


BB 2001 FULL SCALE

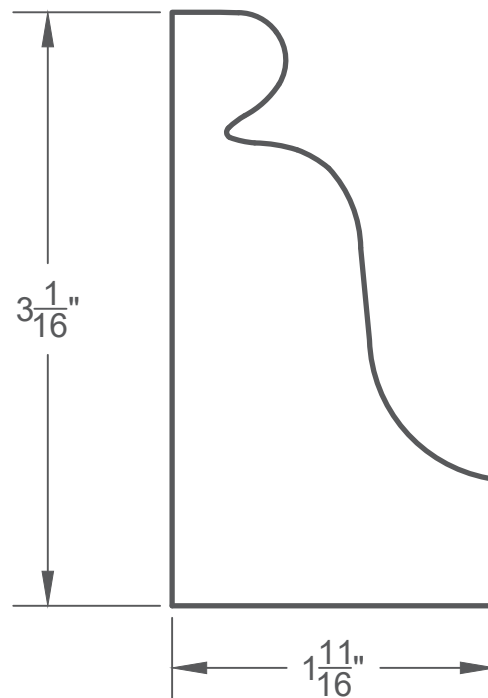
BACK BANDS



BB 2004 FULL SCALE



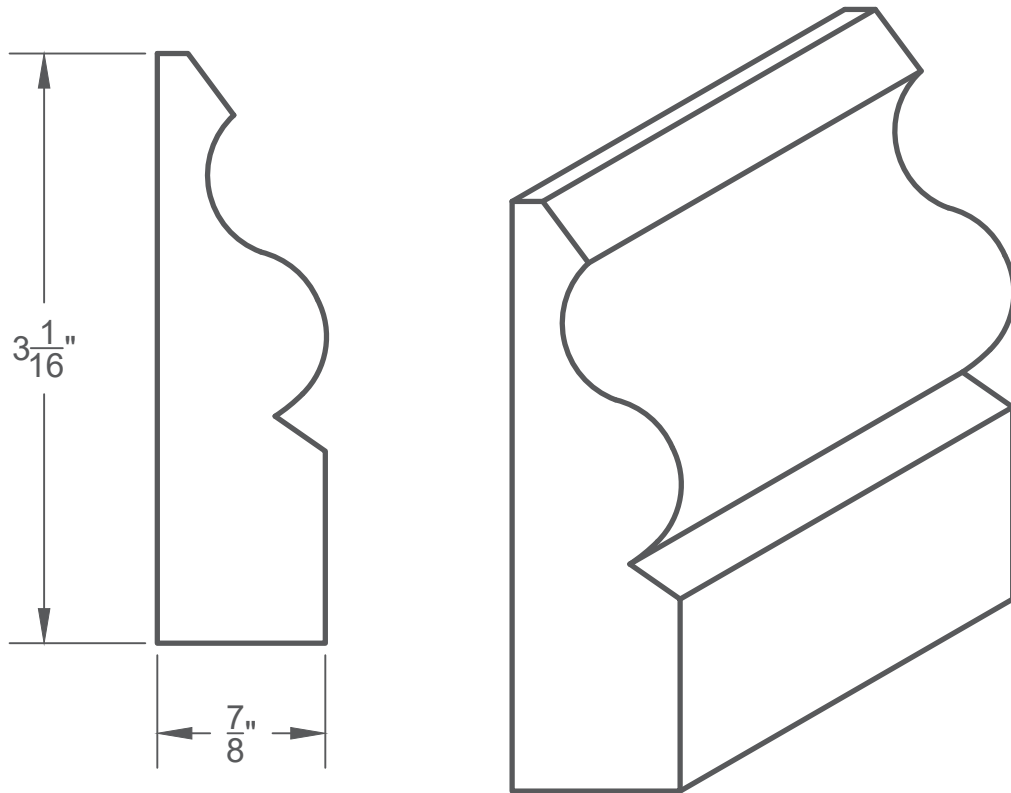
NOT TO SCALE



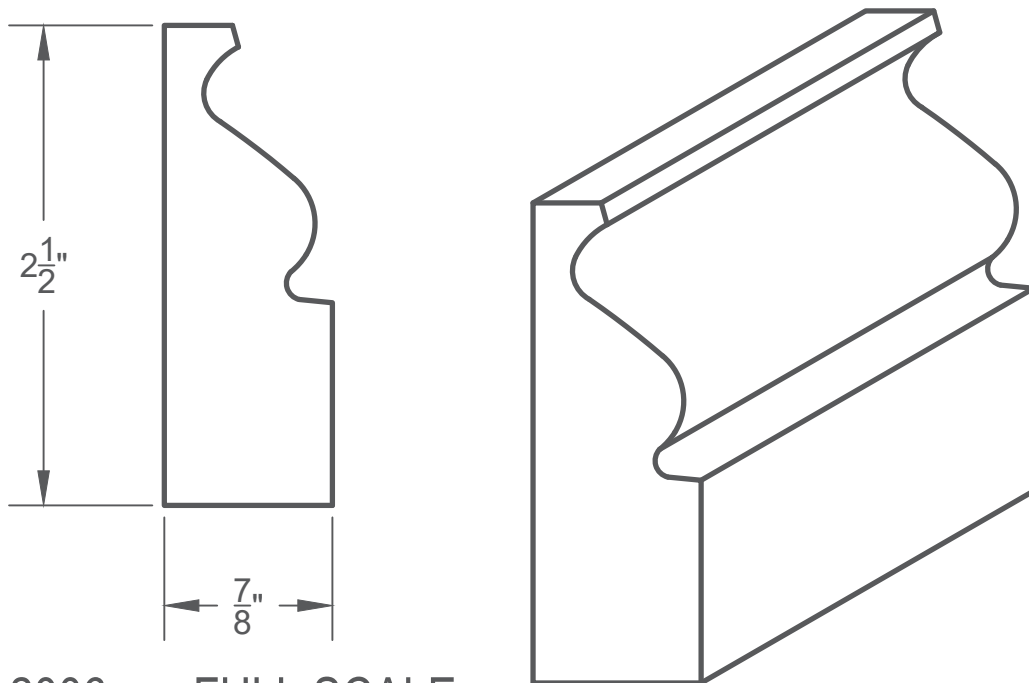
BB 2003 FULL SCALE

BACK BANDS

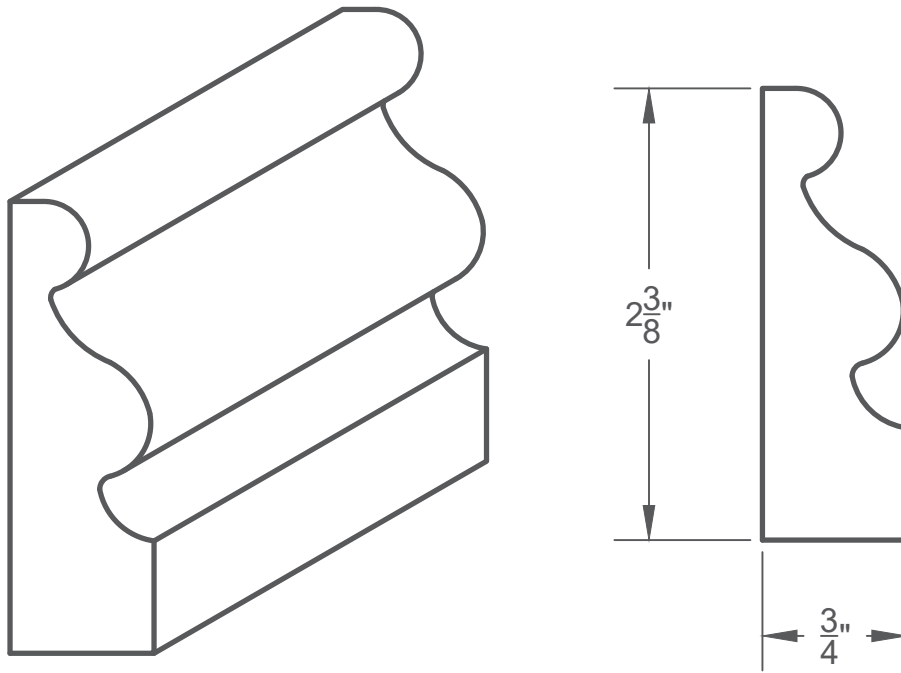
BACK BANDS



BB 2005 FULL SCALE



BB 2006 FULL SCALE

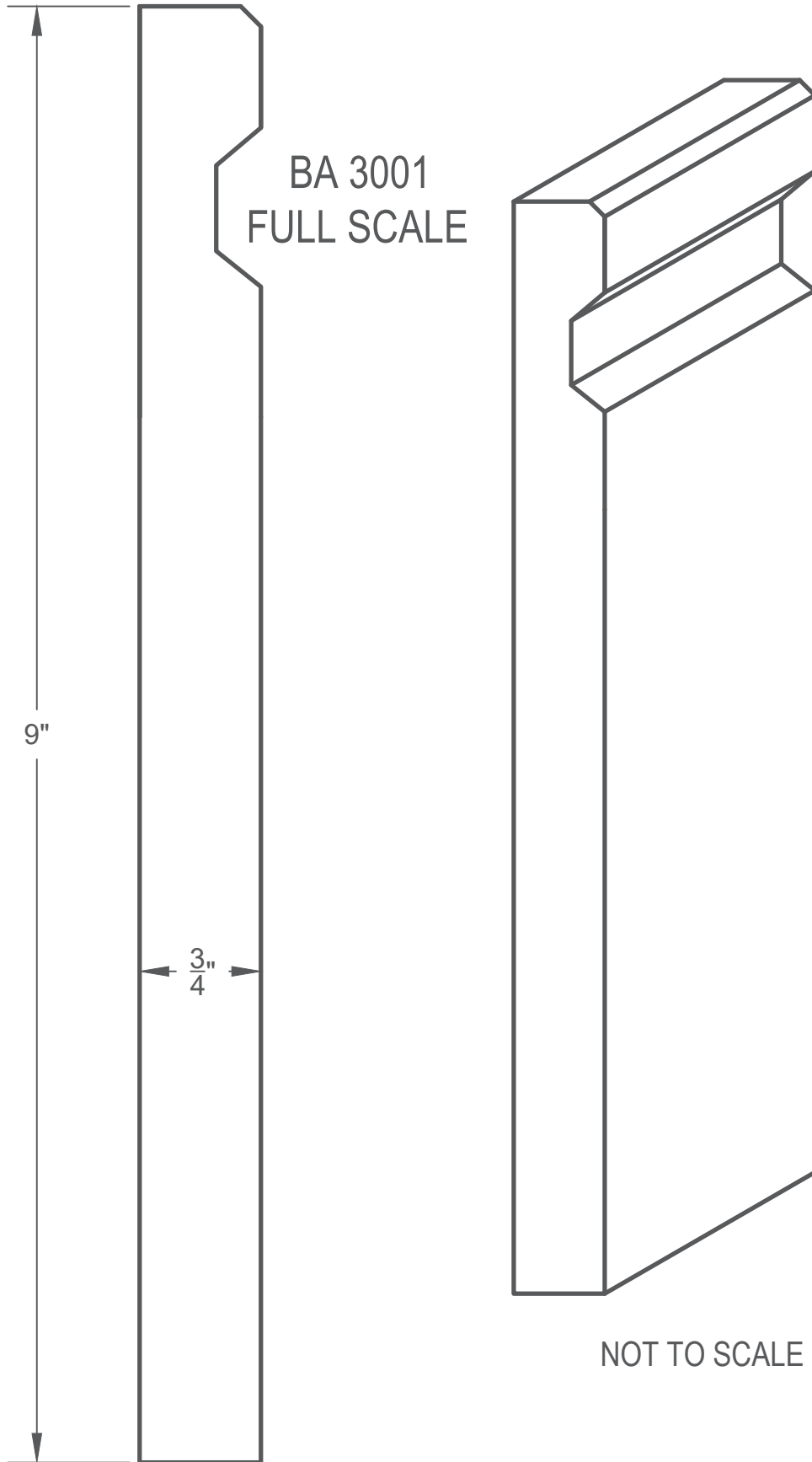


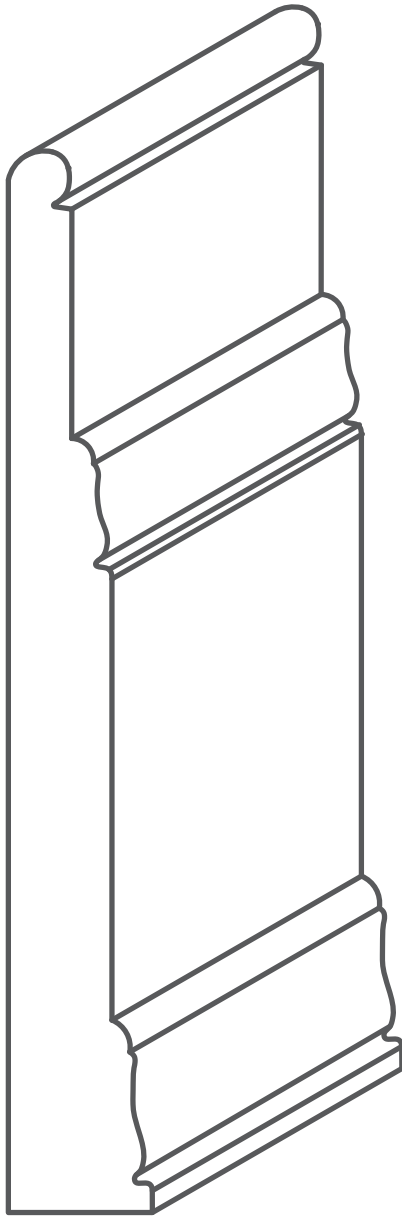
BB 2008

FULL SCALE

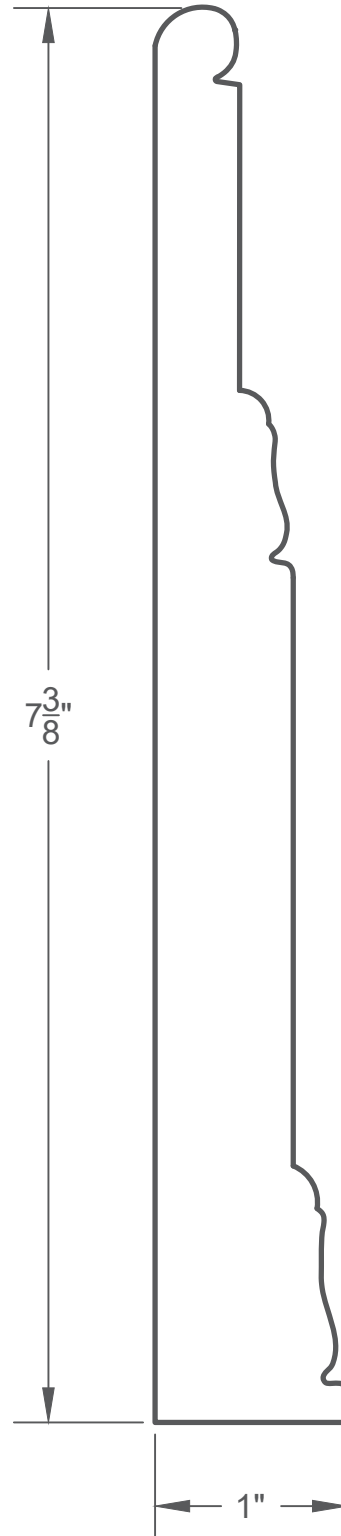
BACK BANDS

BASEBOARDS





NOT TO SCALE

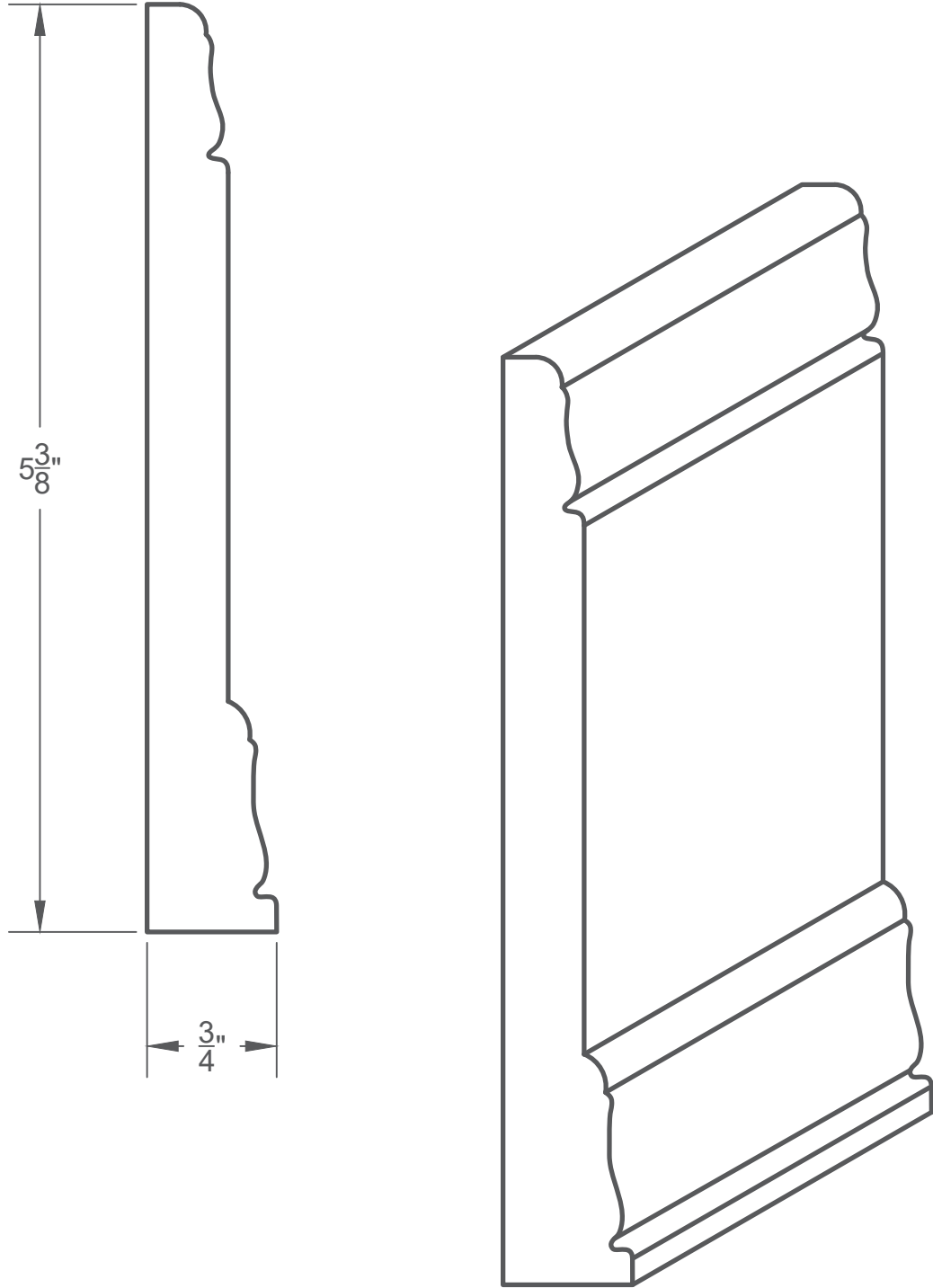


BA 3002

FULL SCALE

BASEBOARDS

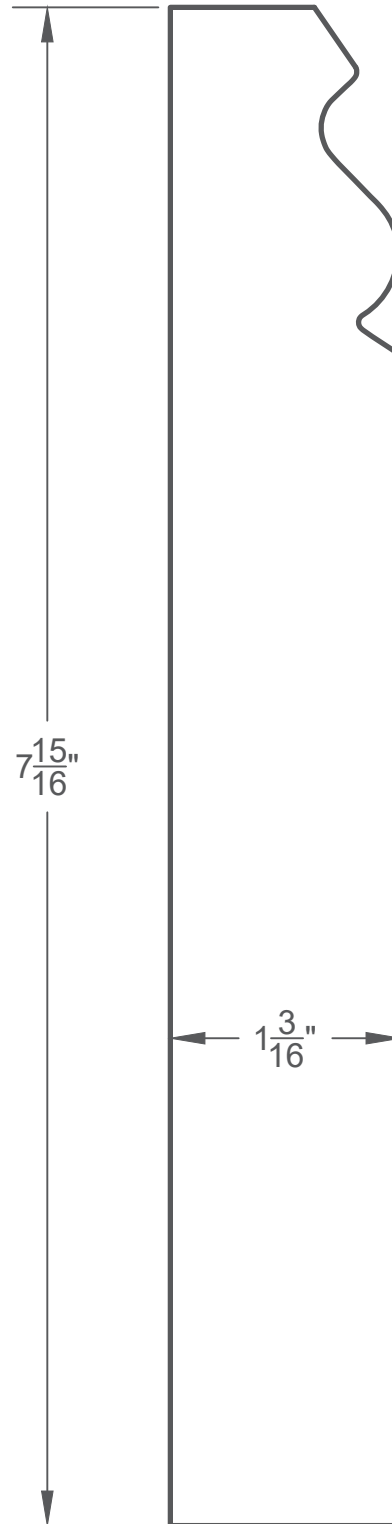
BASEBOARDS



BA 3003 FULL SCALE

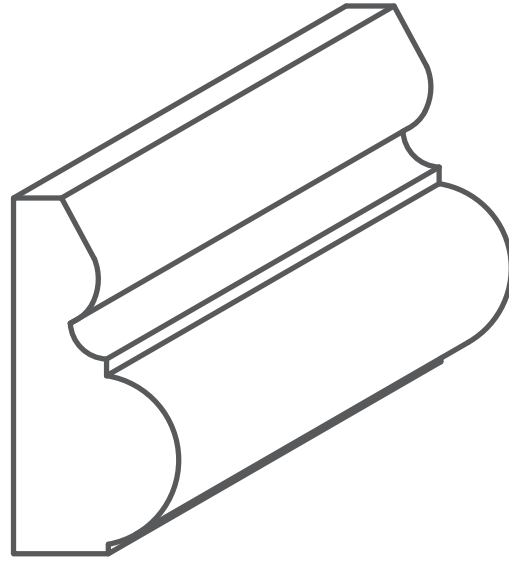
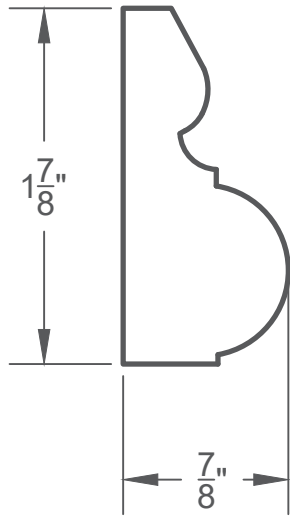


NOT TO SCALE

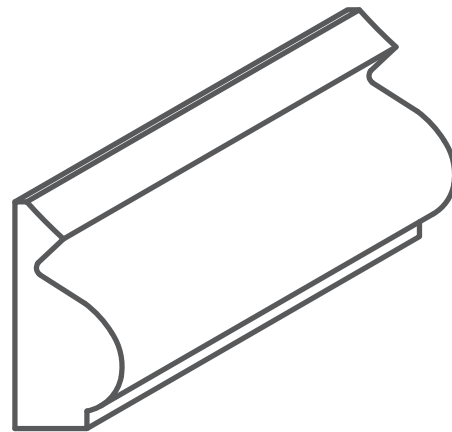
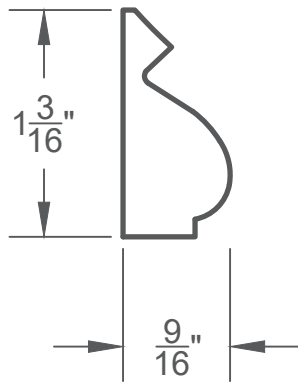


BA 3004 FULL SCALE

BASEBOARDS

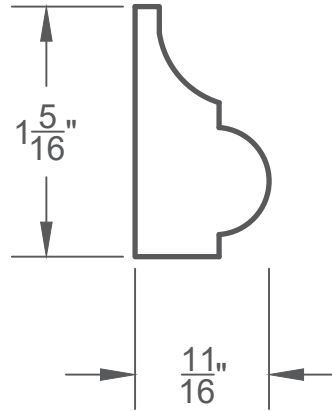
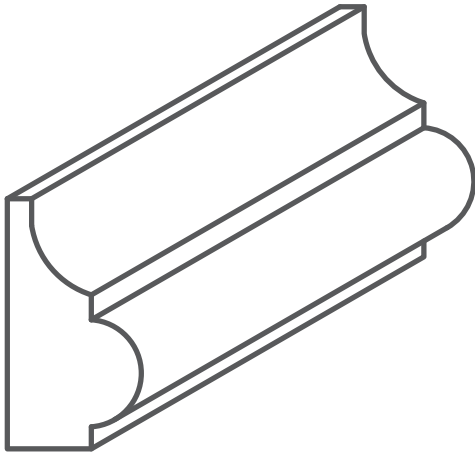


BC 1001 FULL SCALE

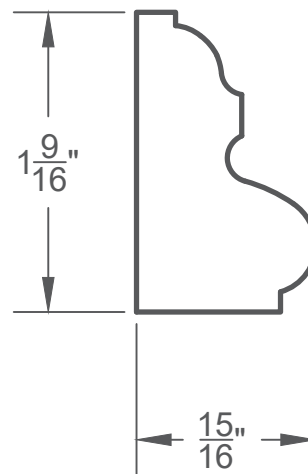
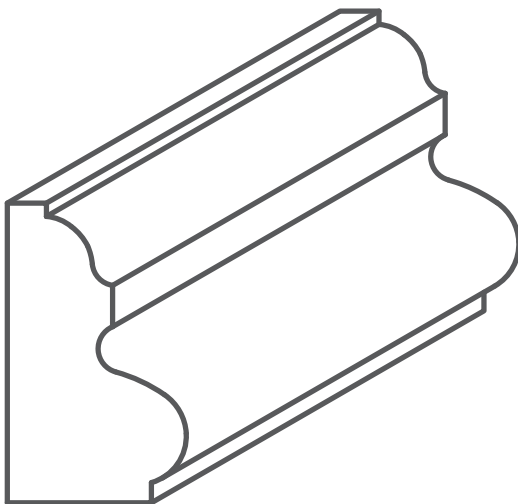


BC 1002 FULL SCALE

BASE CAPS

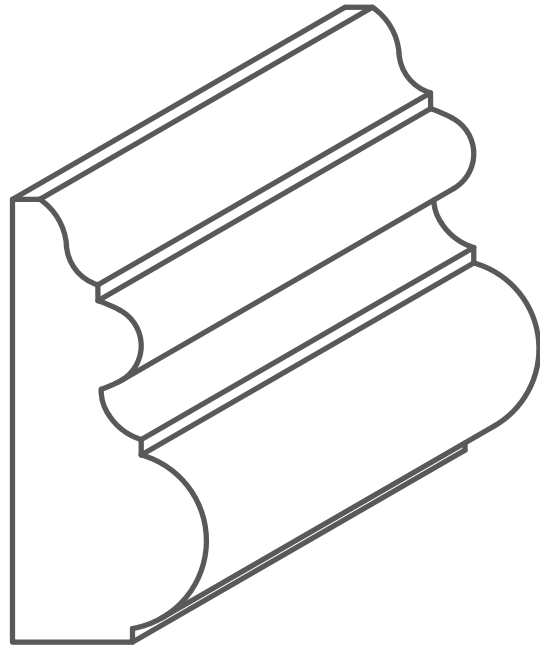
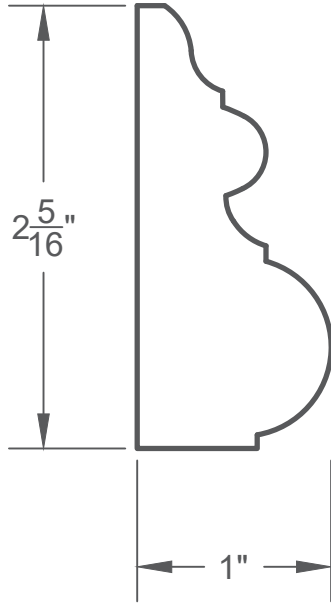


BC 1003 FULL SCALE

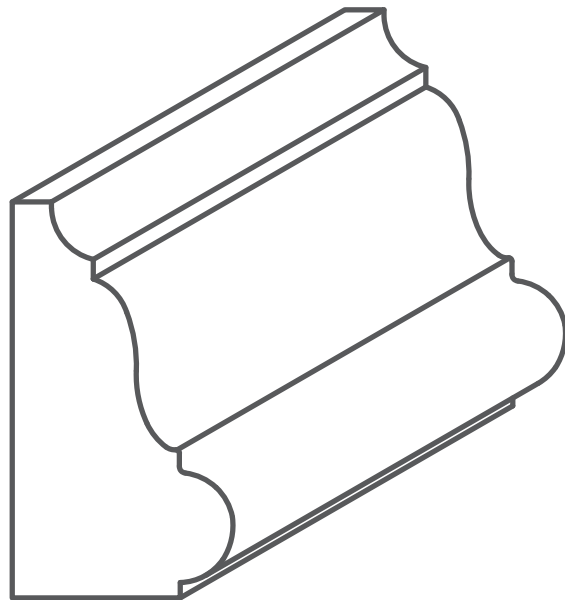
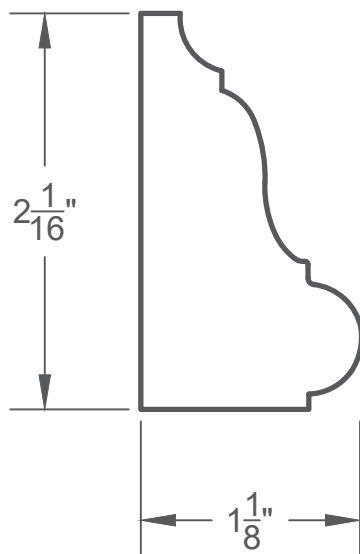


BC 1005 FULL SCALE

BASE CAPS

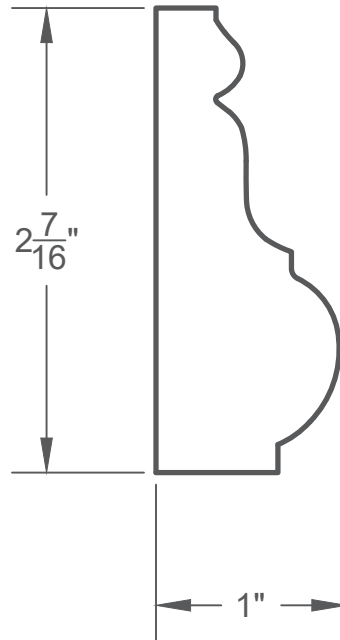
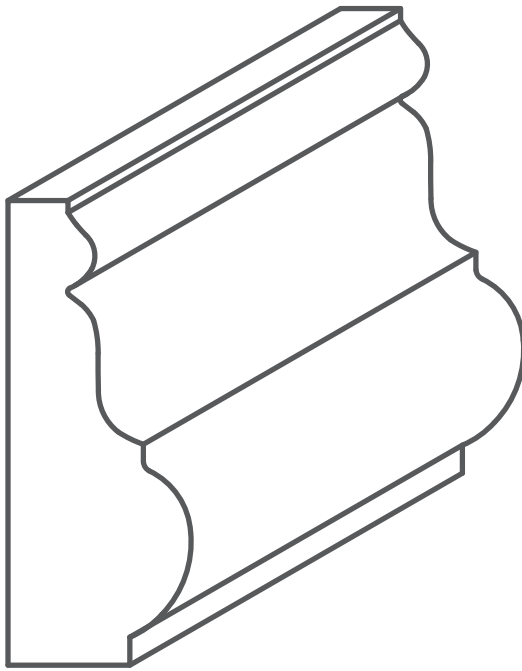


BC 2004 FULL SCALE



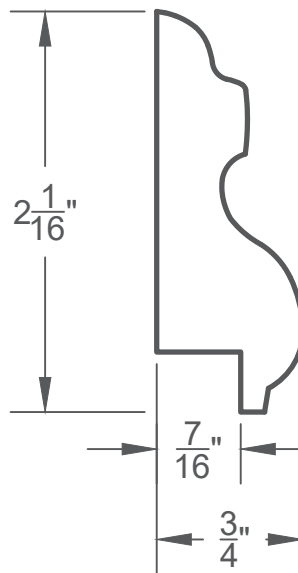
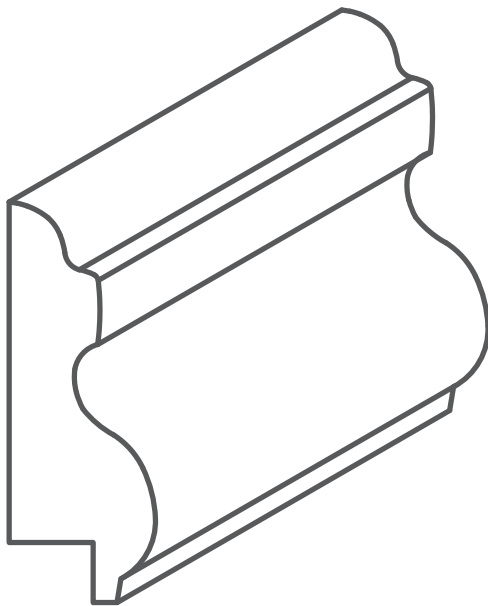
BC 2007 FULL SCALE

BASE CAPS



BC 2008

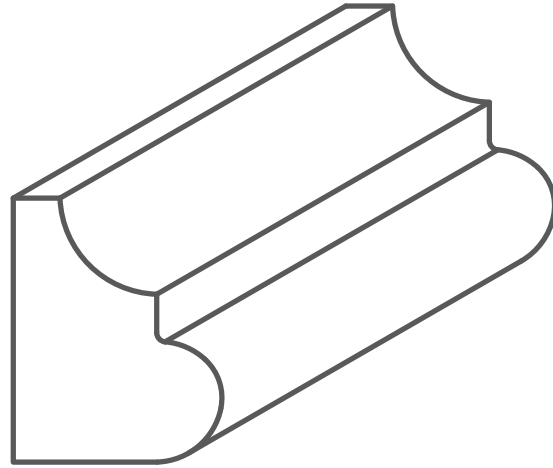
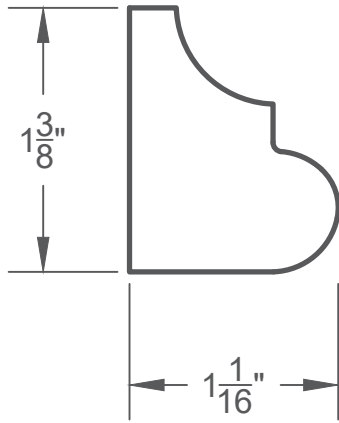
FULL SCALE



BC 2005

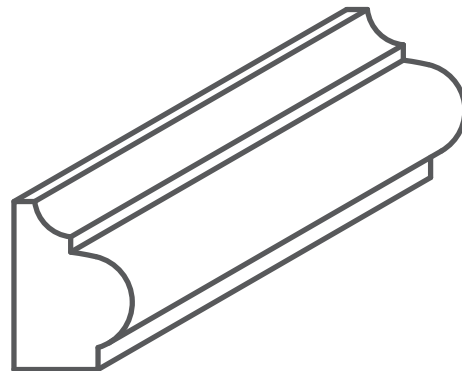
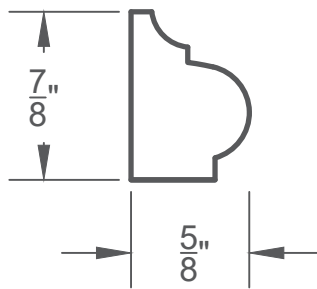
FULL SCALE

BASE CAPS

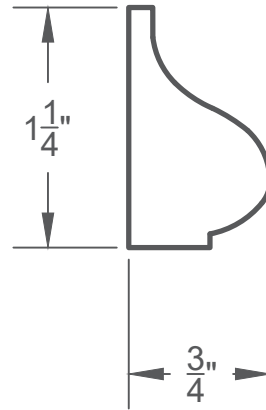
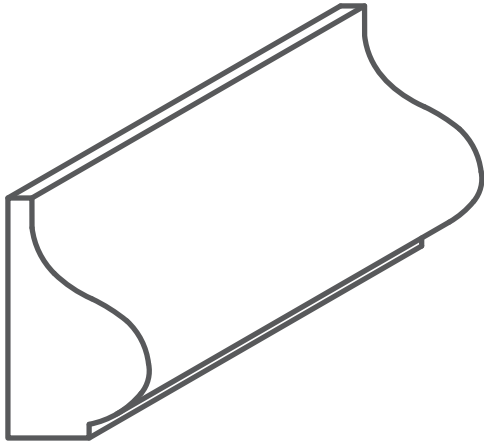


BC 1006 FULL SCALE

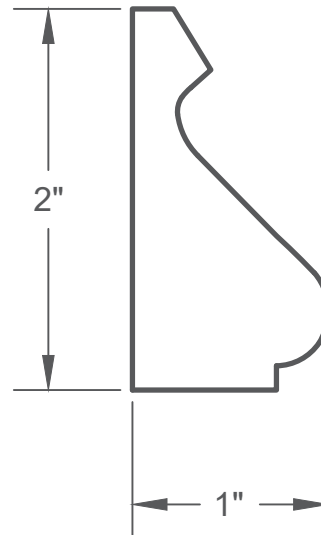
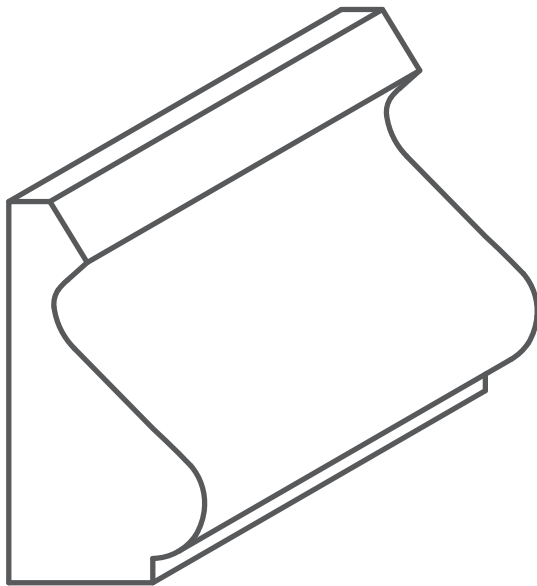
BASE CAPS



BC 1007 FULL SCALE

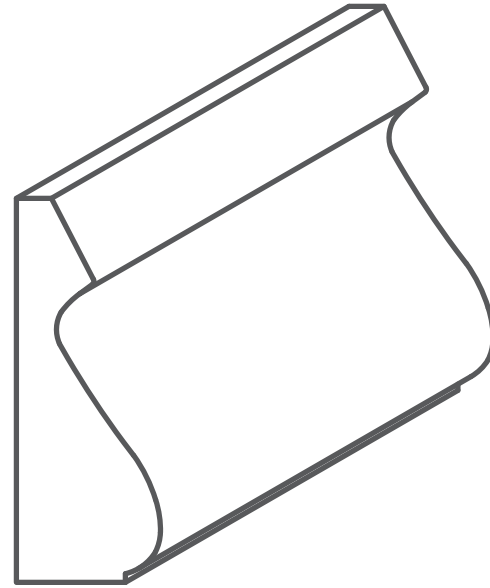
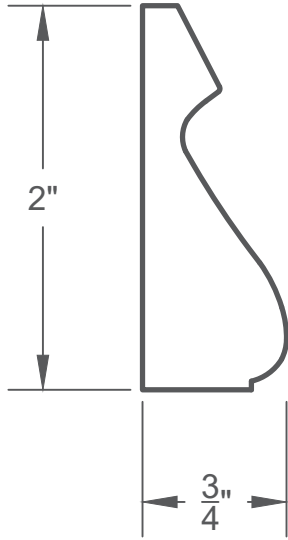


BC 1008 FULL SCALE



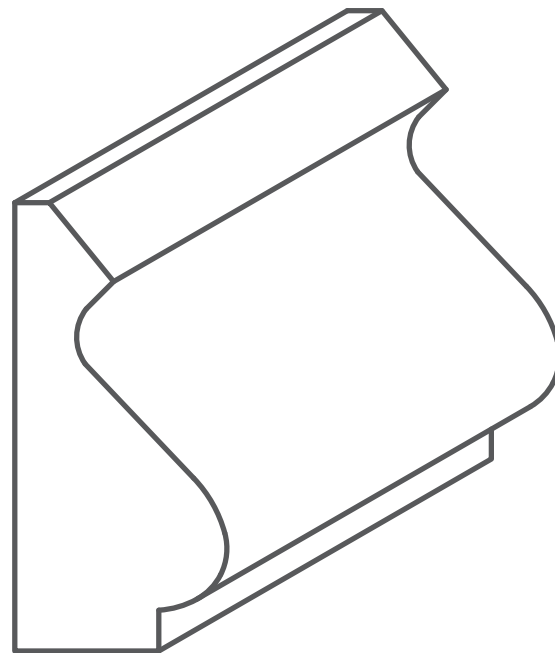
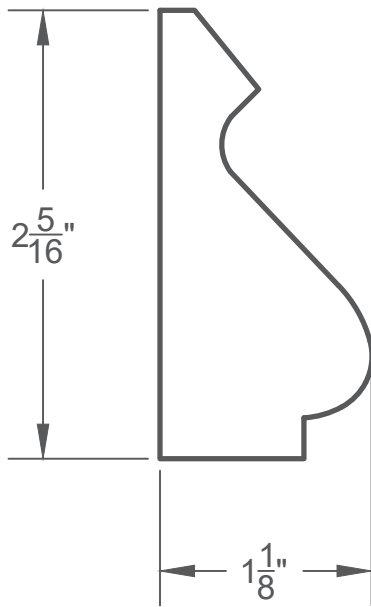
BC 2001 FULL SCALE

BASE CAPS

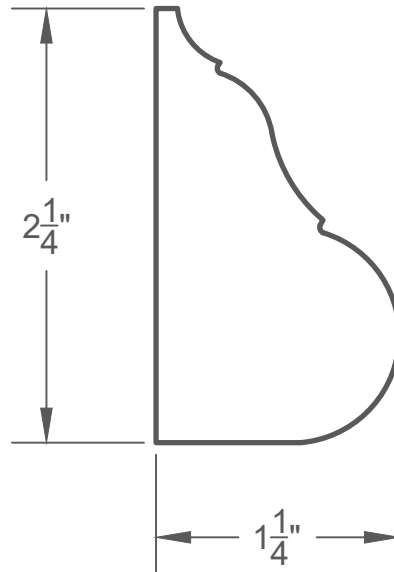
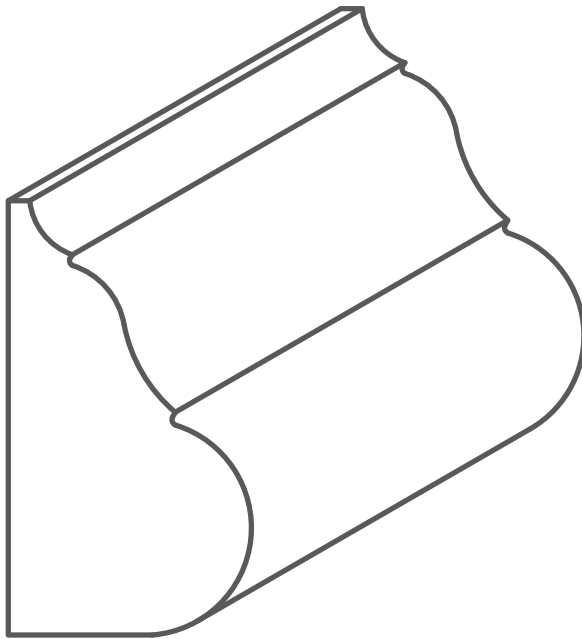


BC 2002 FULL SCALE

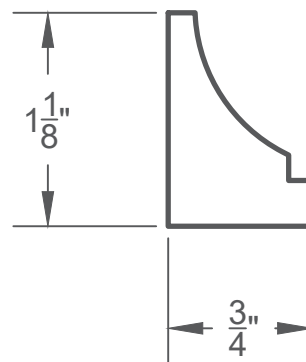
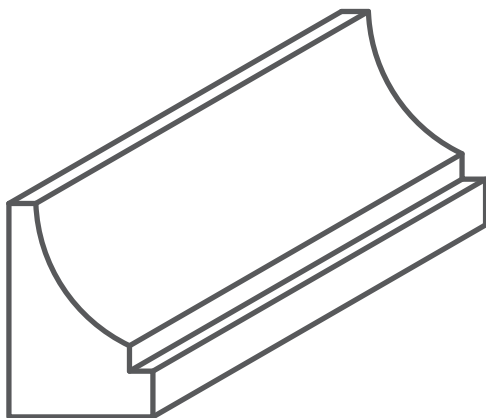
BASE CAPS



BC 2003 FULL SCALE

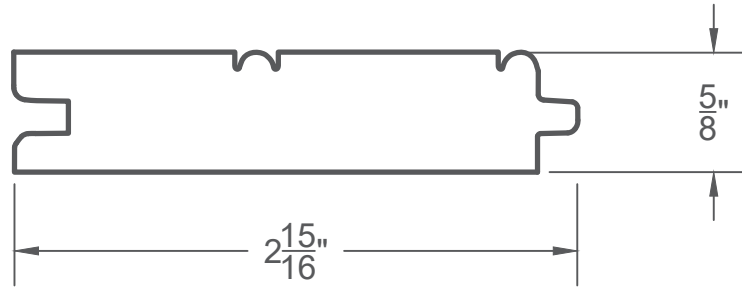


BC 2006 FULL SCALE

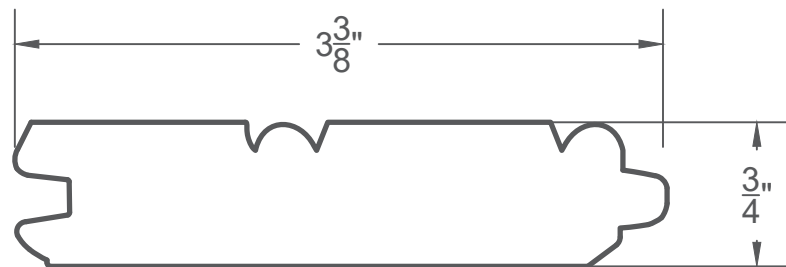
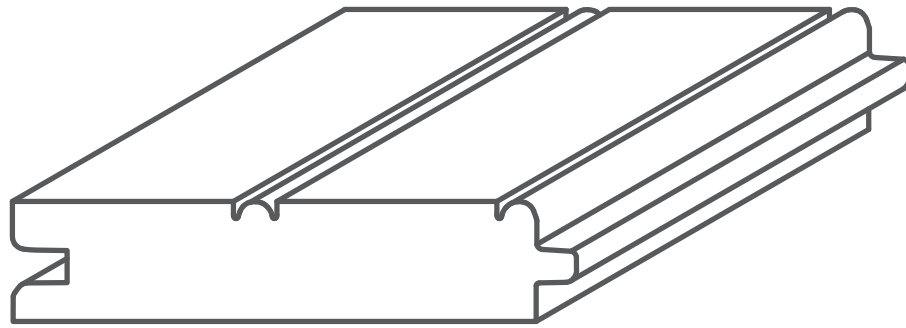


BC 1004 FULL SCALE

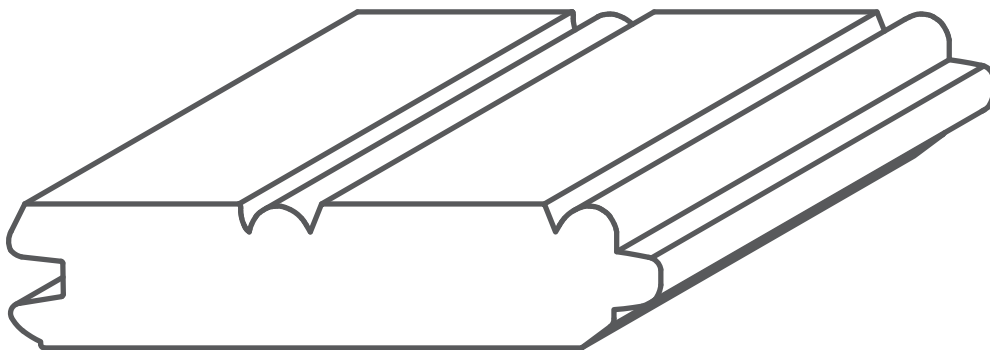
BASE CAPS



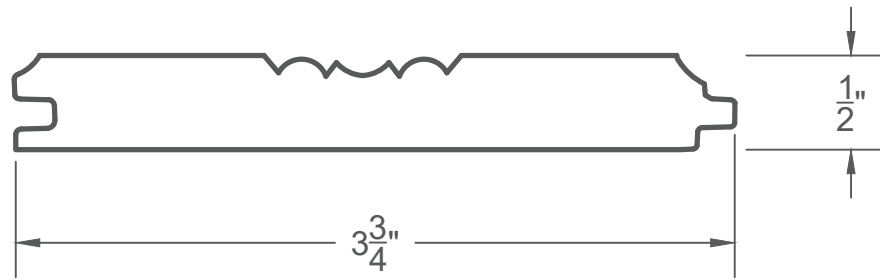
BD 2002 FULL SCALE



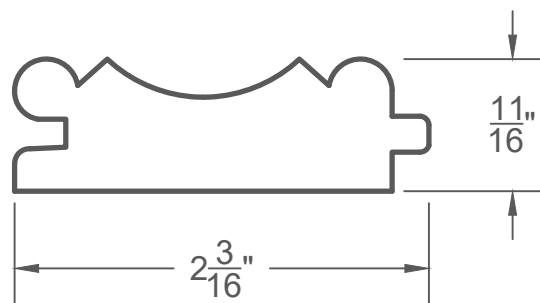
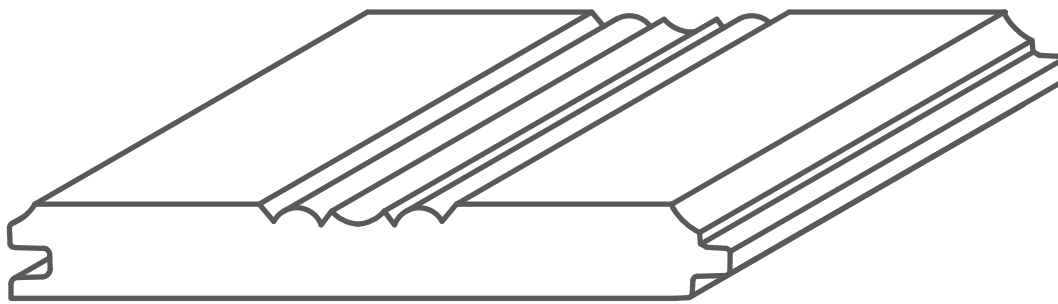
BD 2003 FULL SCALE



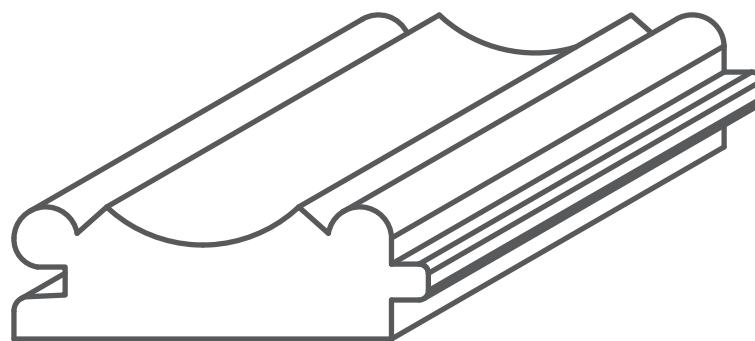
BEAD BOARDS



BD 2001 FULL SCALE

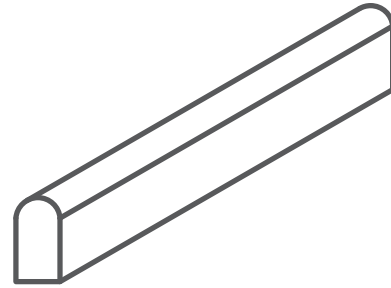
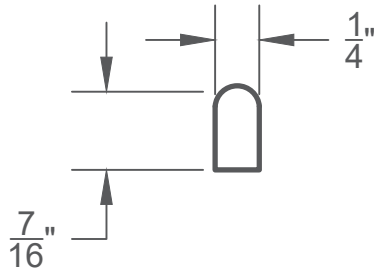


BD 2004 FULL SCALE

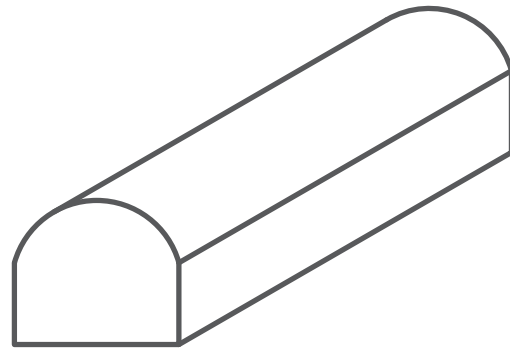
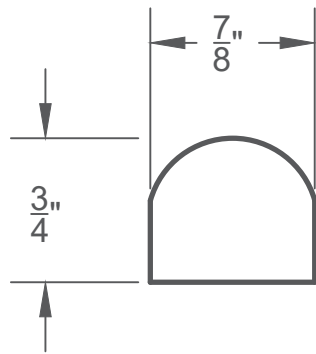


BEAD BOARDS

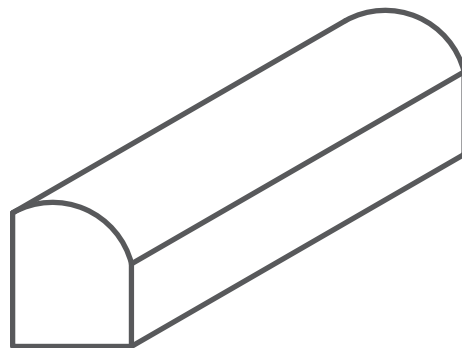
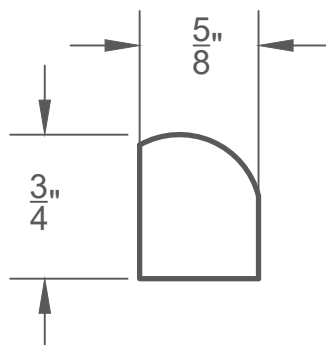
Beads are available in various sizes



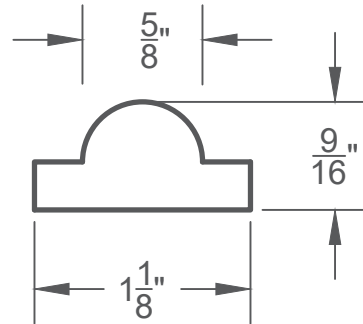
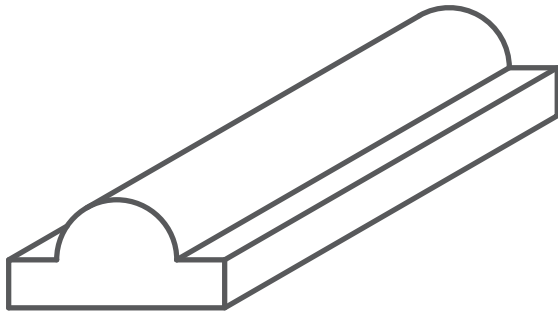
BE 1000 FULL SCALE



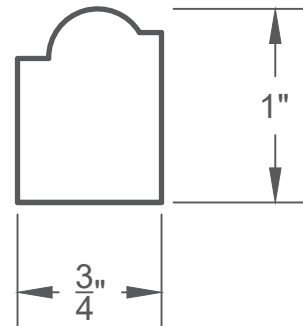
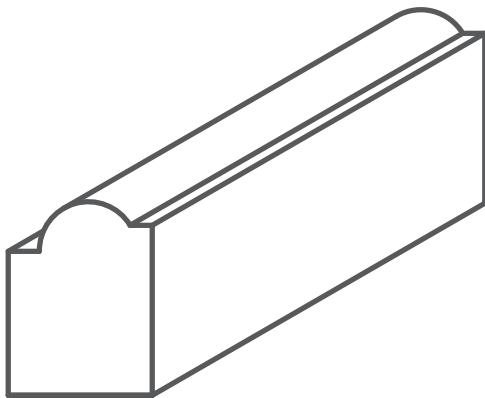
BE 1008 FULL SCALE



BE 1013 FULL SCALE

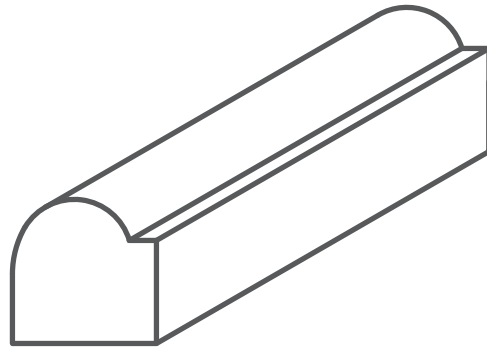
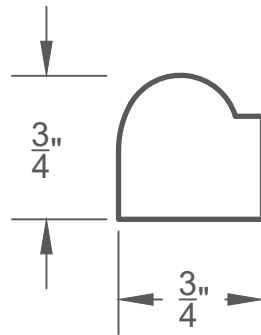


BE 1006 FULL SCALE

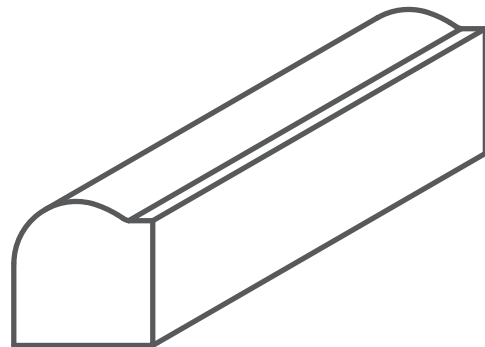
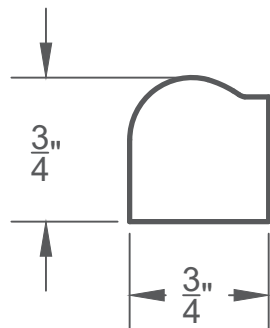


BE 1016 FULL SCALE

BEADS

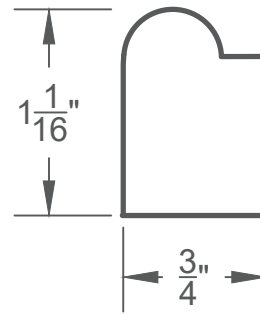
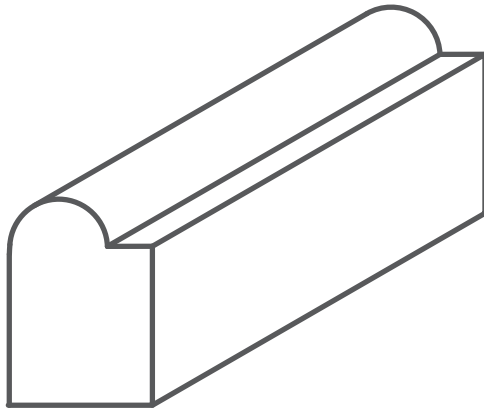


BE 1014 FULL SCALE

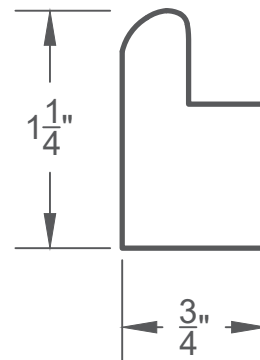
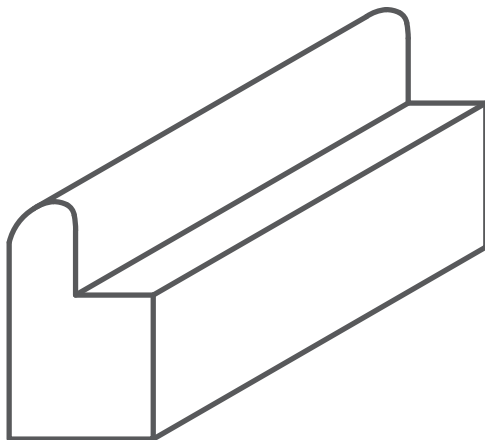


BE 1015 FULL SCALE

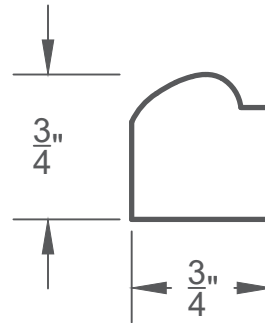
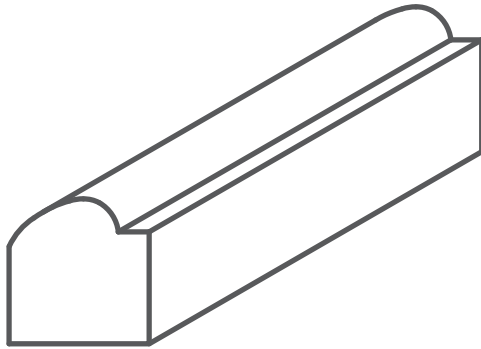
BEADS



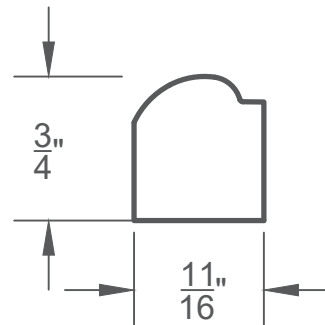
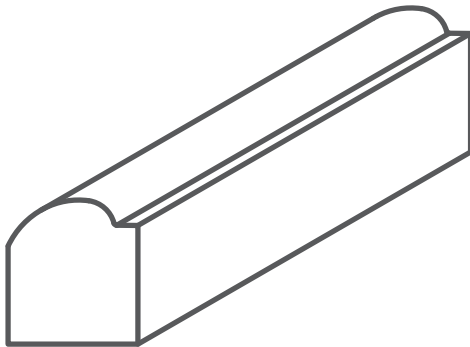
BE 1017 FULL SCALE



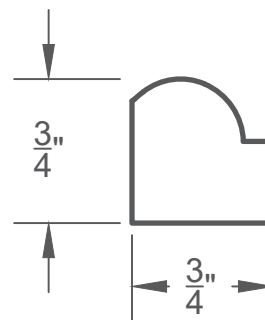
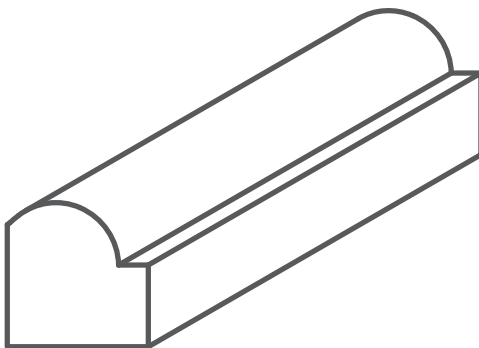
BE 1022 FULL SCALE



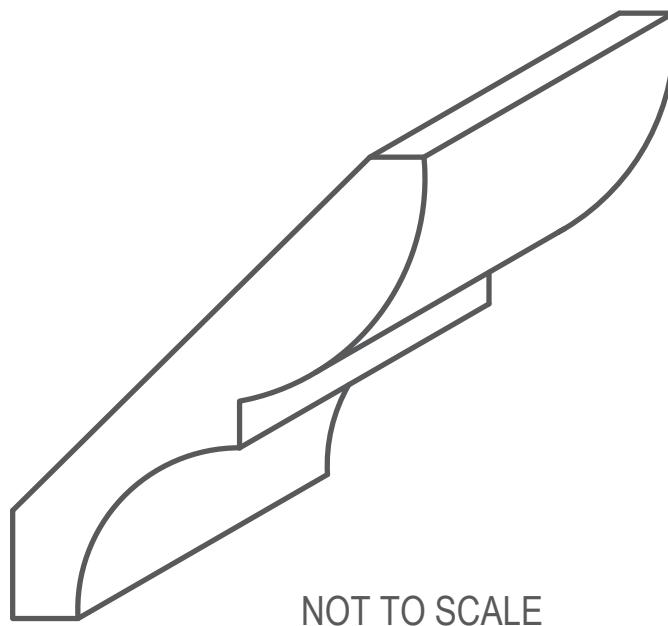
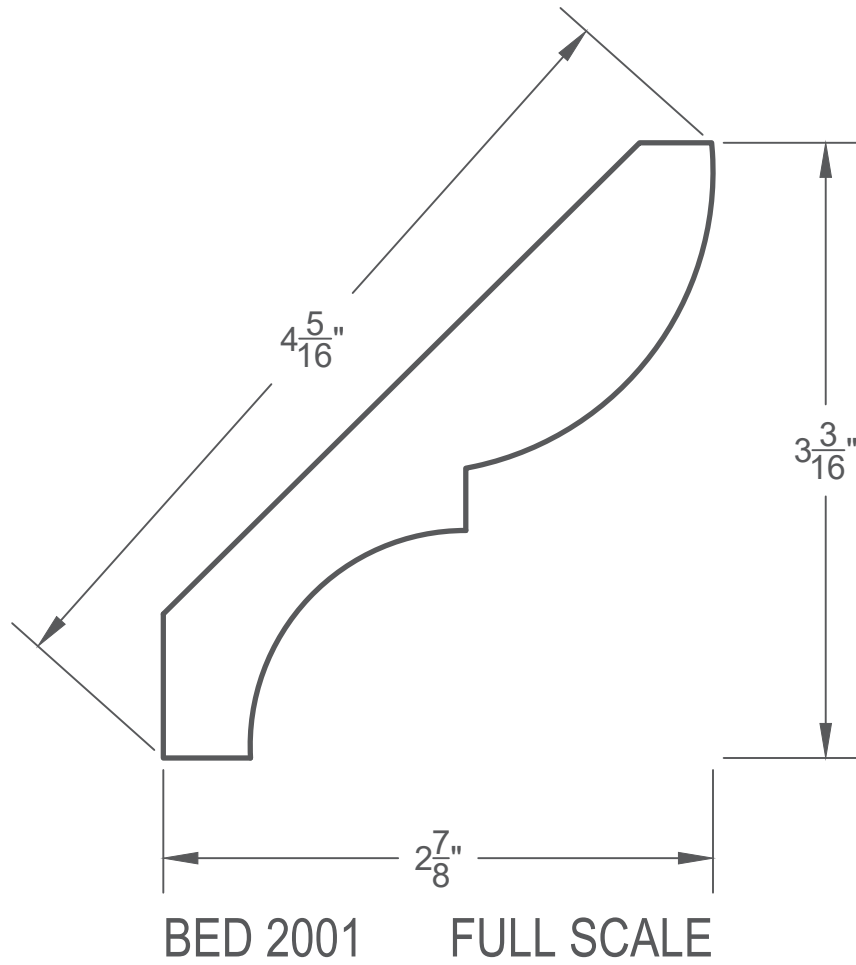
BE 1010 FULL SCALE



BE 1011 FULL SCALE

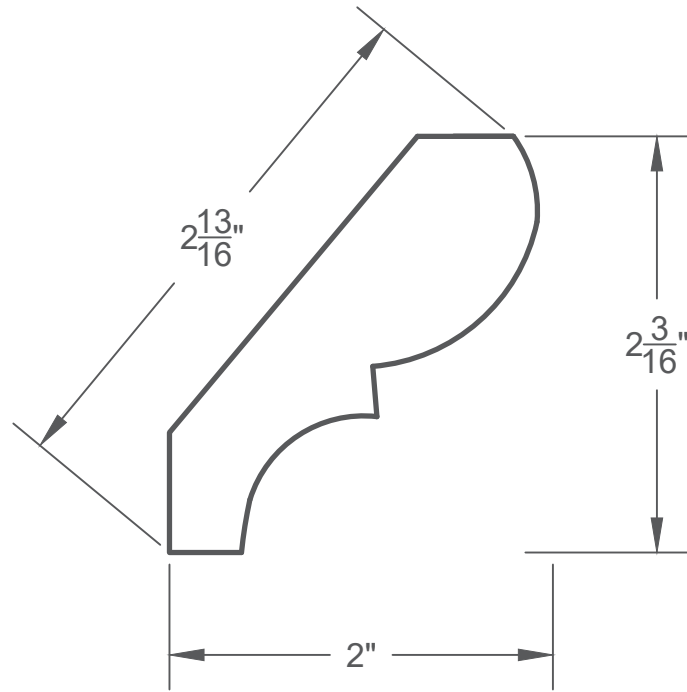


BE 1012 FULL SCALE

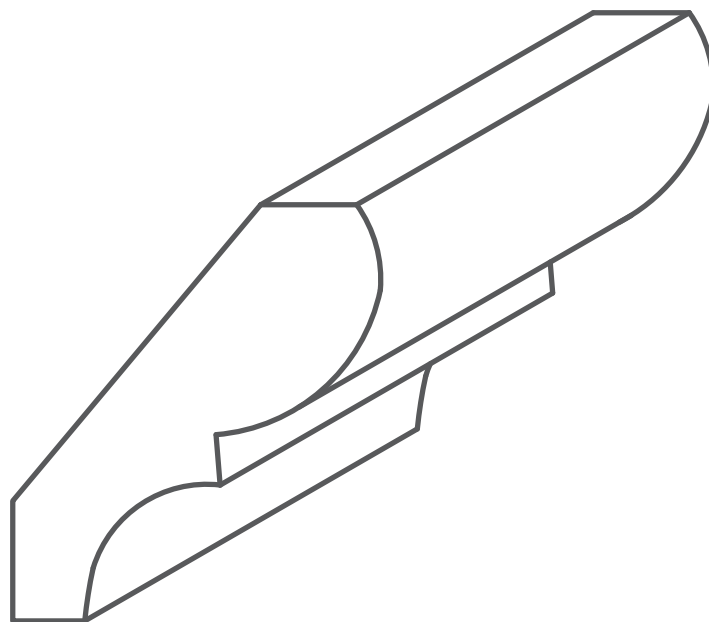


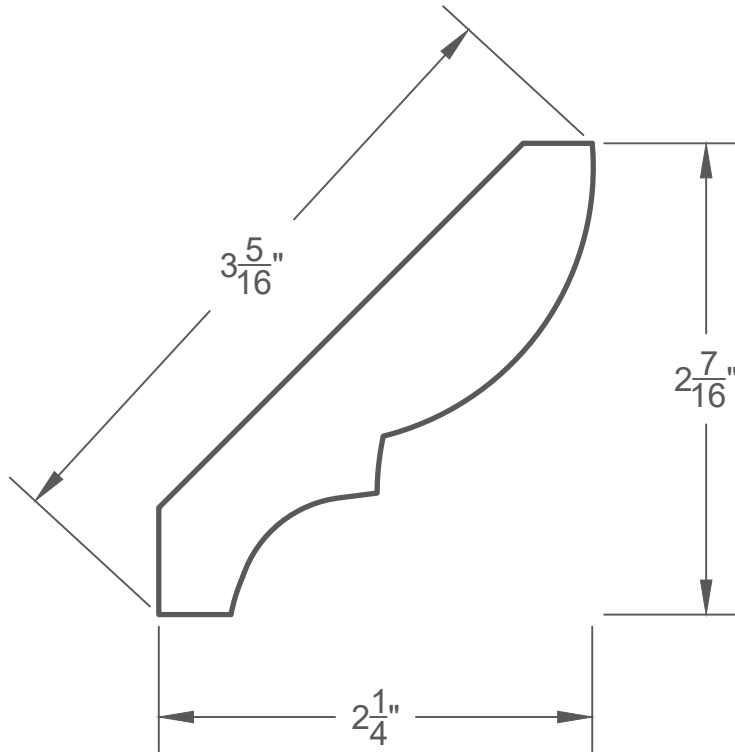
BED MOLDINGS

BED MOLDINGS

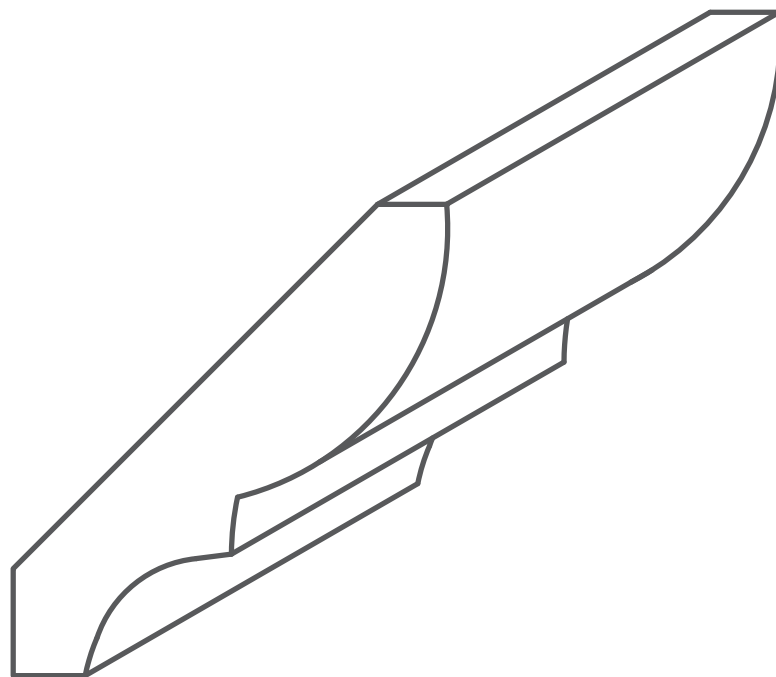


BED 2002 FULL SCALE



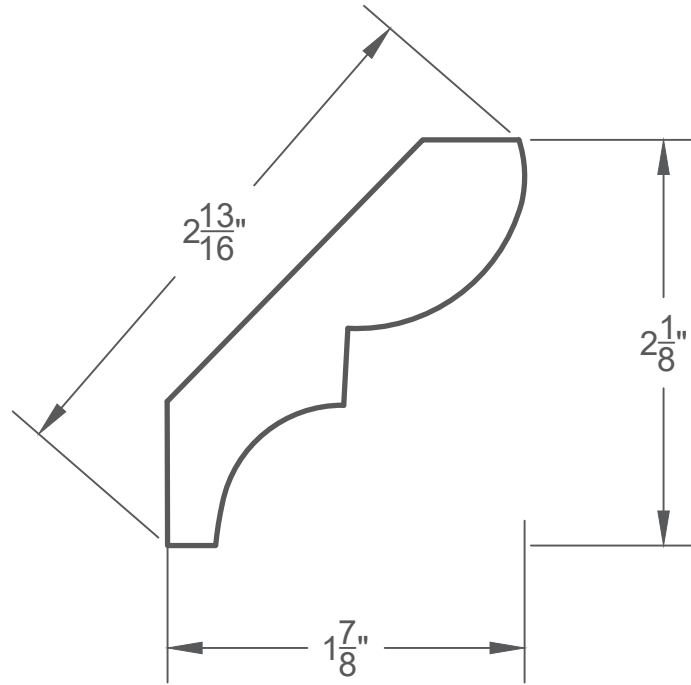


BED 2003 FULL SCALE

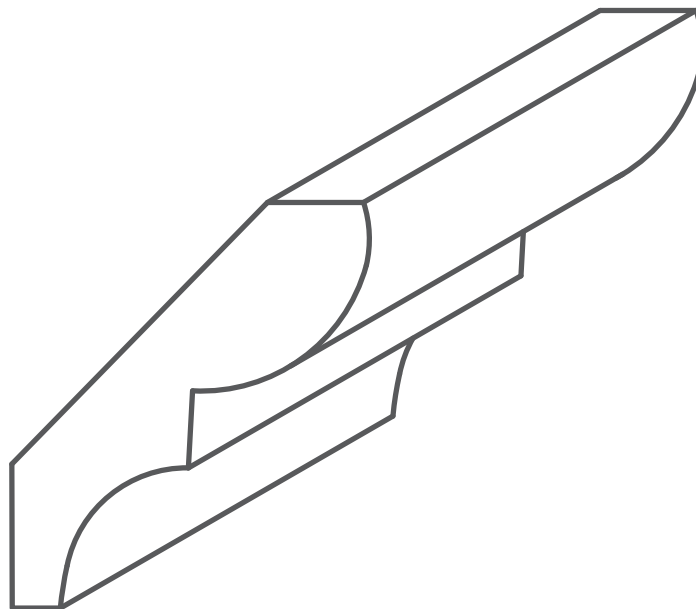


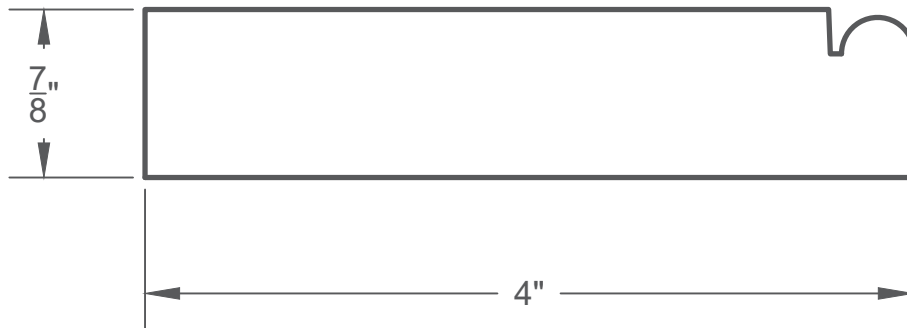
BED MOLDINGS

BED MOLDINGS

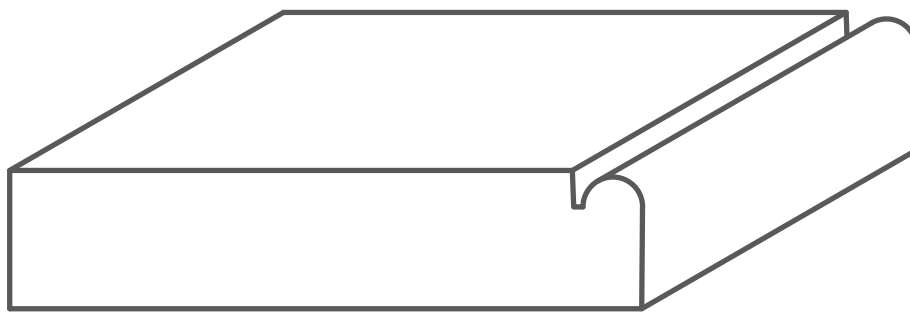


BED 2004 FULL SCALE

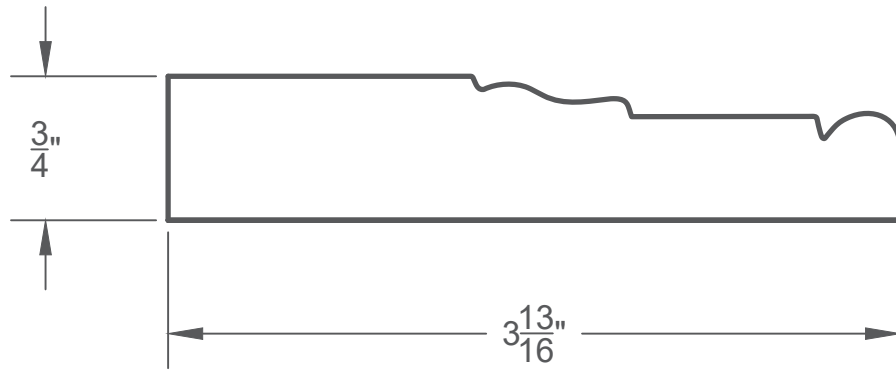




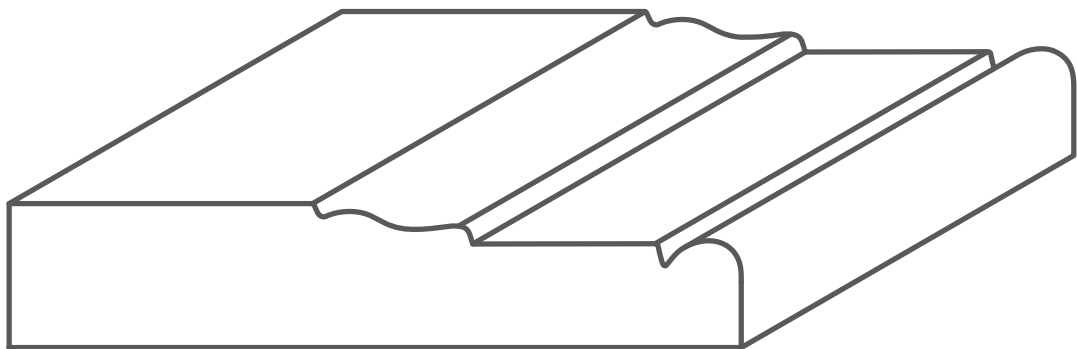
CN 2001 FULL SCALE



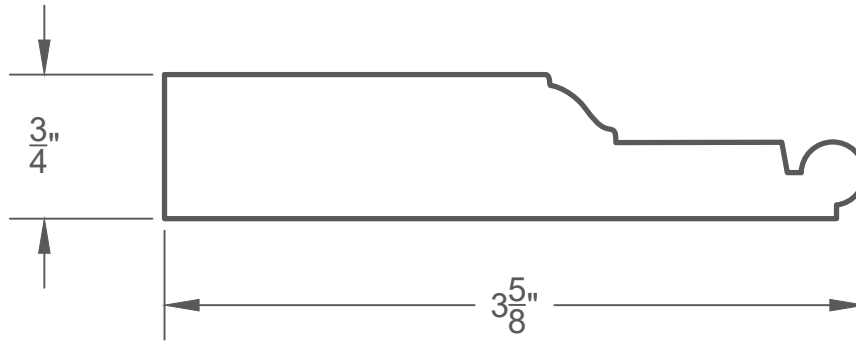
NOT TO SCALE



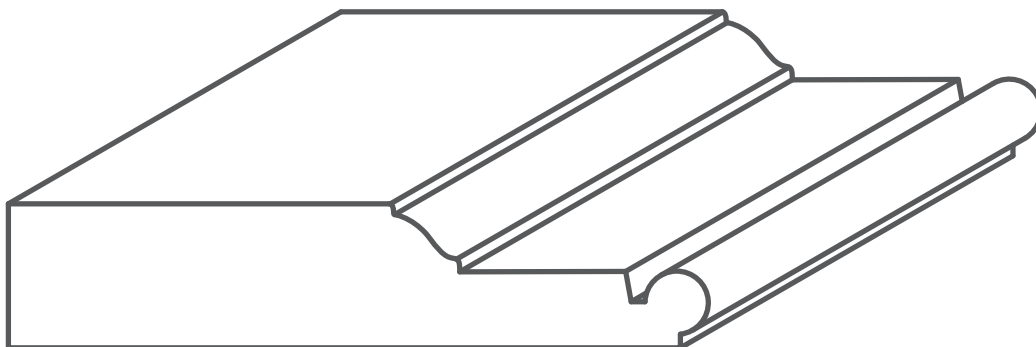
CN 2002 FULL SCALE

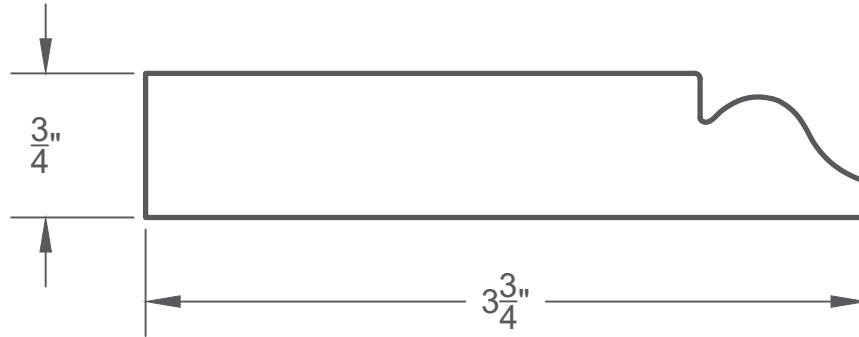


CASINGS

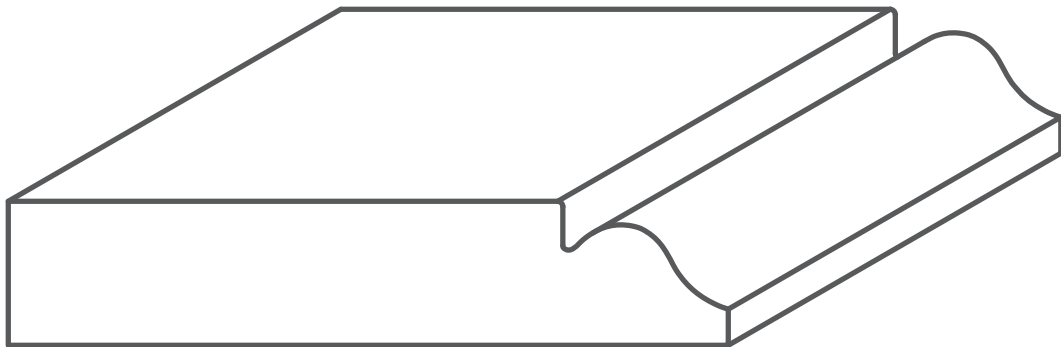


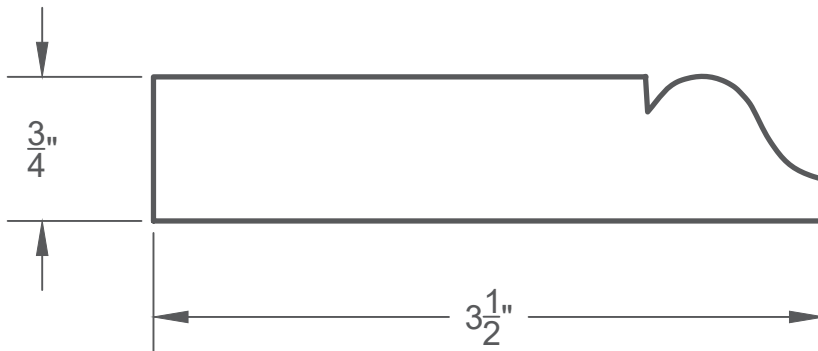
CN 2003 FULL SCALE



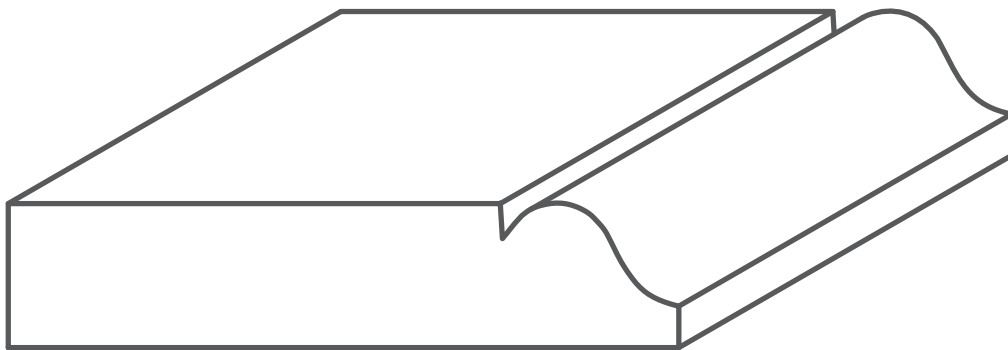


CN 2004 FULL SCALE

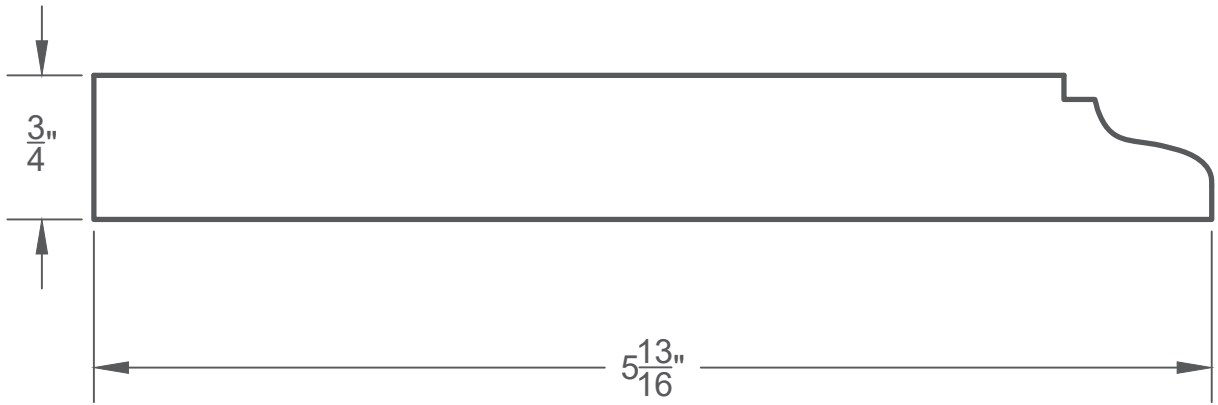




CN 2005 FULL SCALE



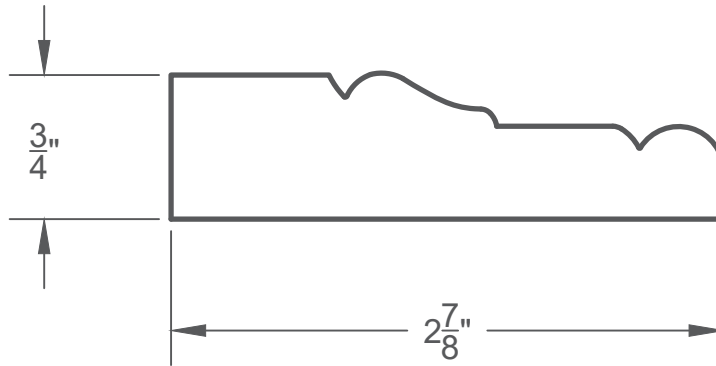
CASINGS



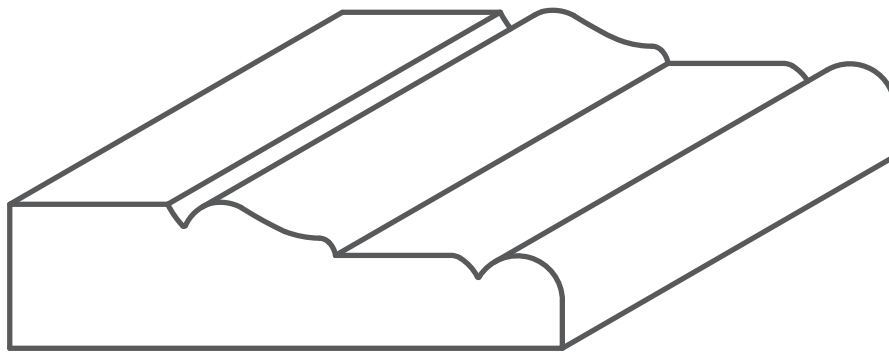
CN 2006 FULL SCALE

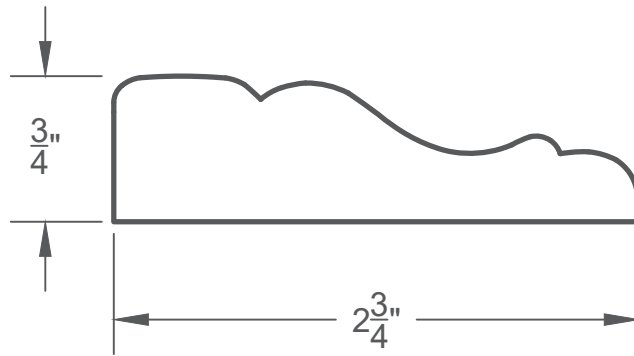


NOT TO SCALE

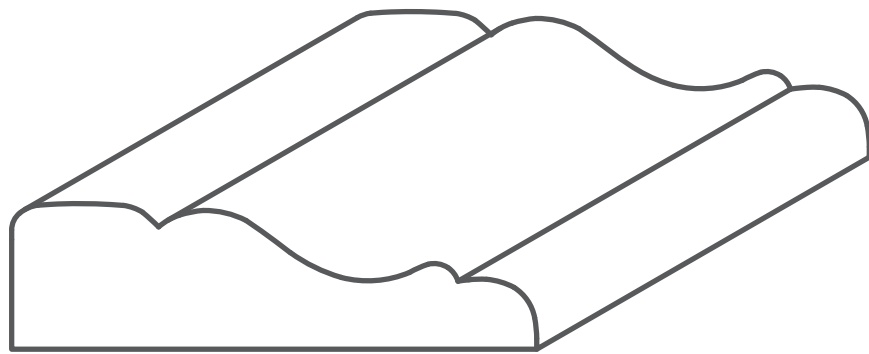


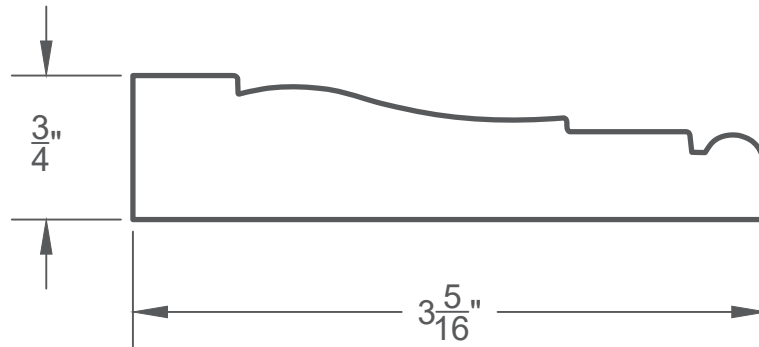
CN 2007 FULL SCALE



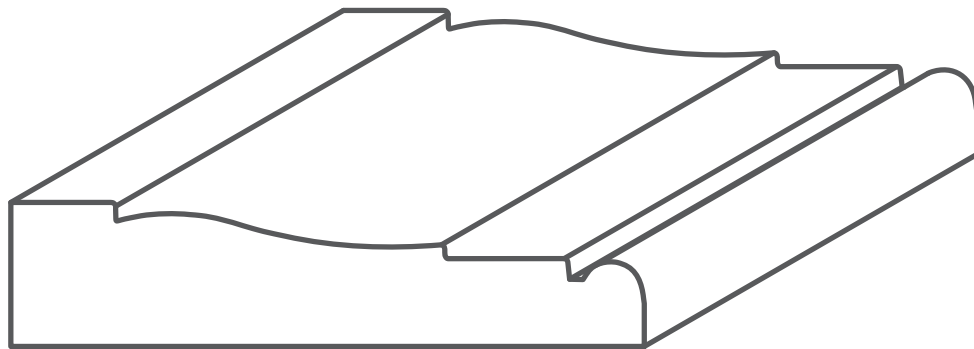


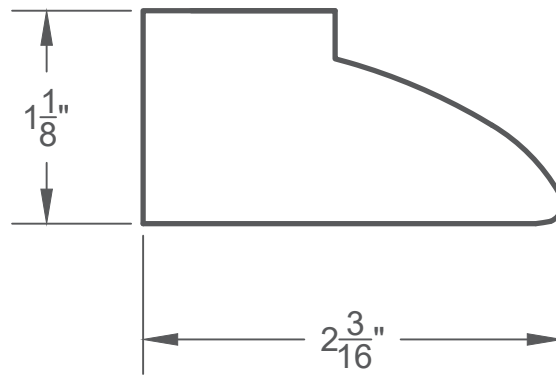
CN 2008 FULL SCALE



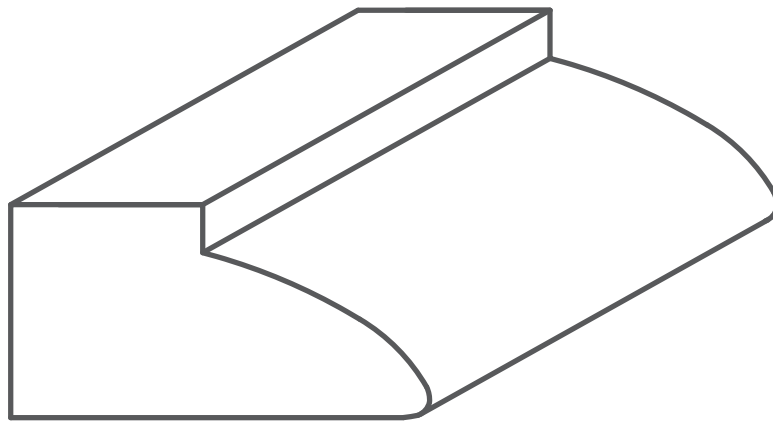


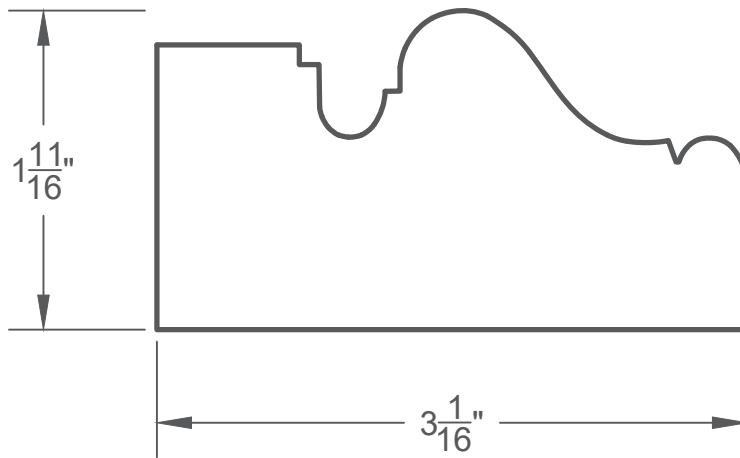
CN 2010 FULL SCALE



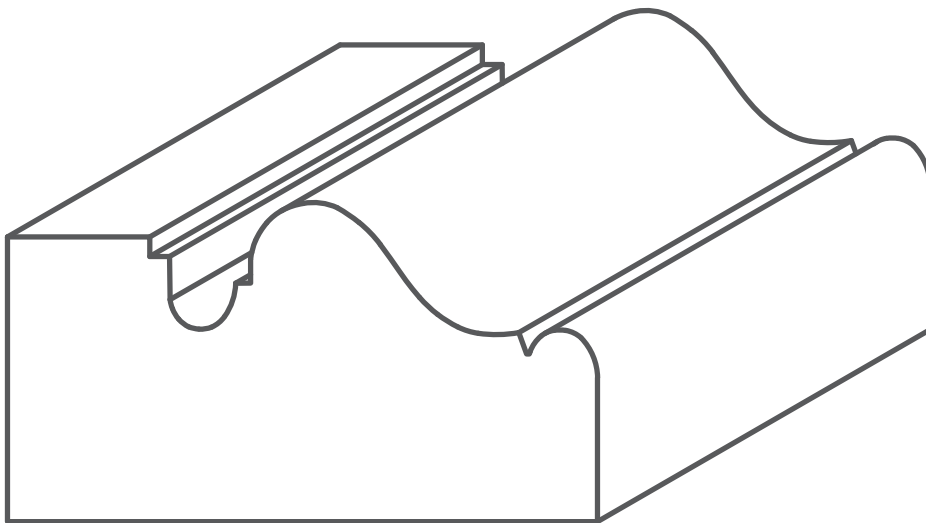


CN 2013 FULL SCALE

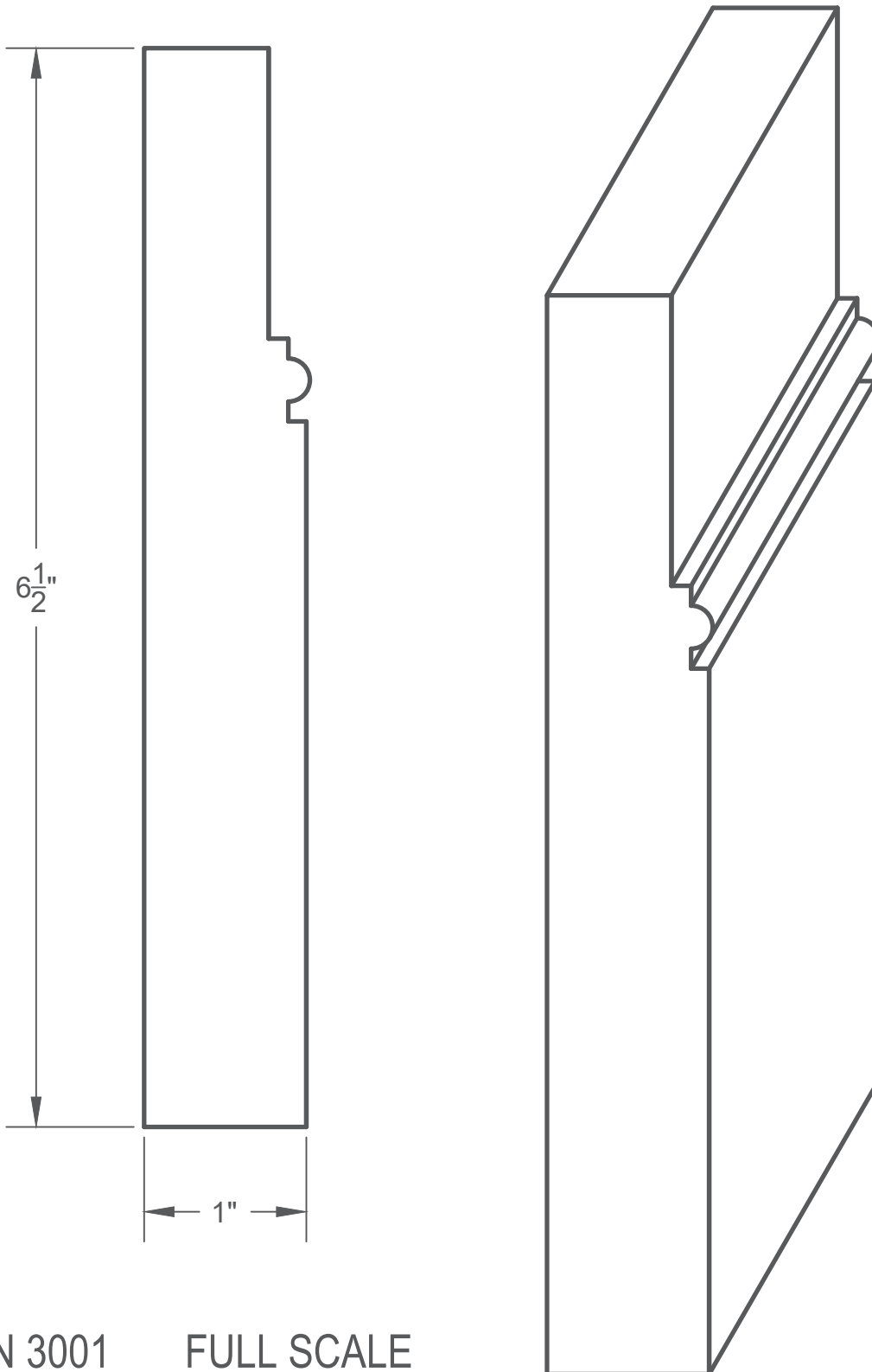


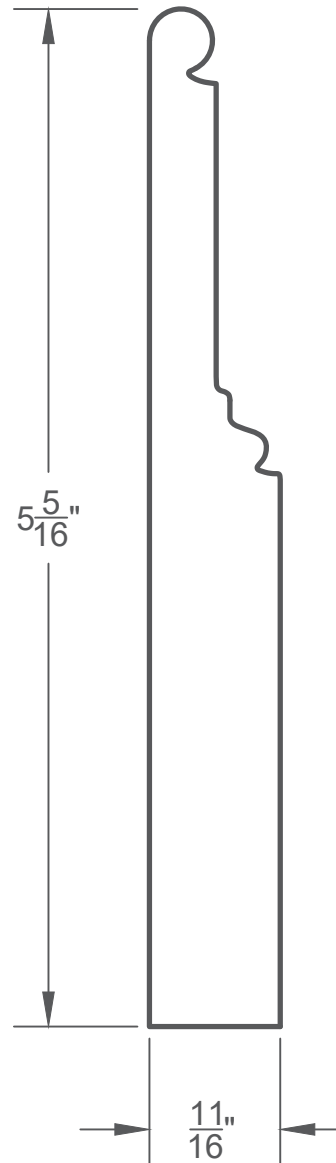
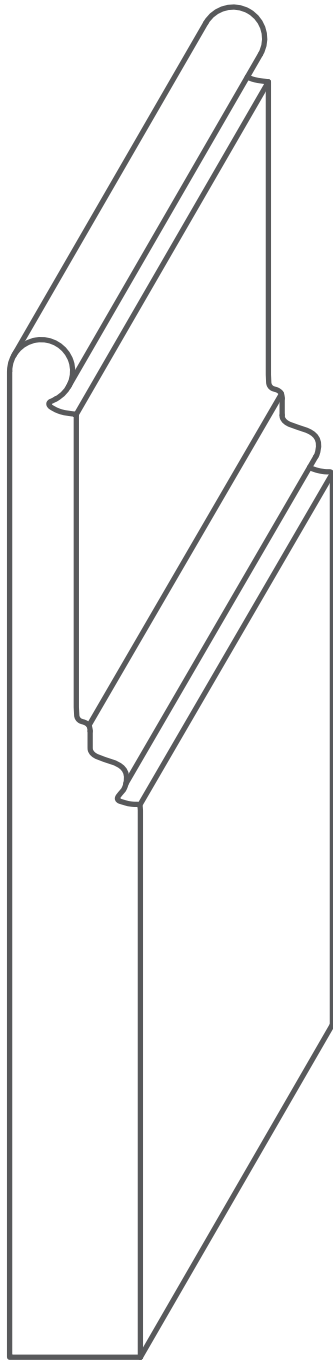


CN 2019 FULL SCALE



CASINGS

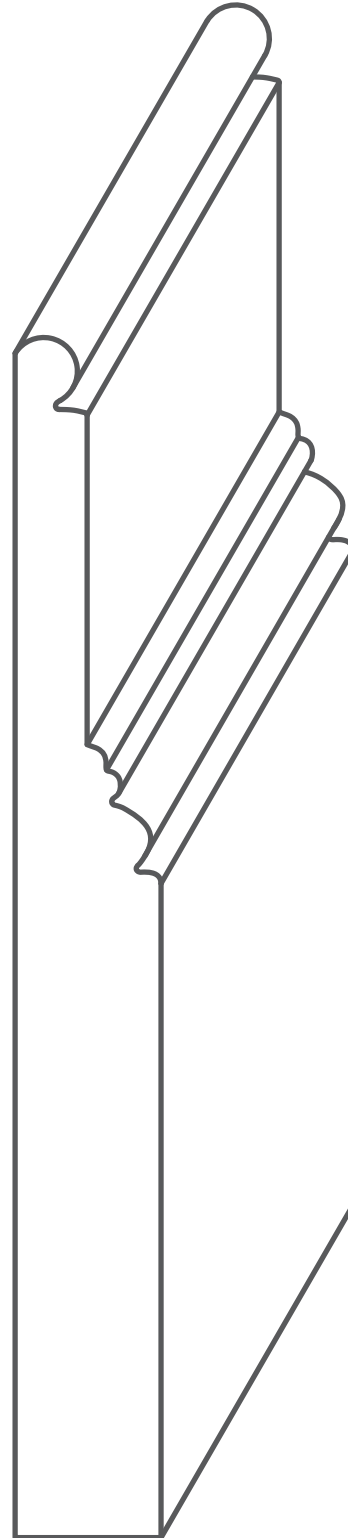
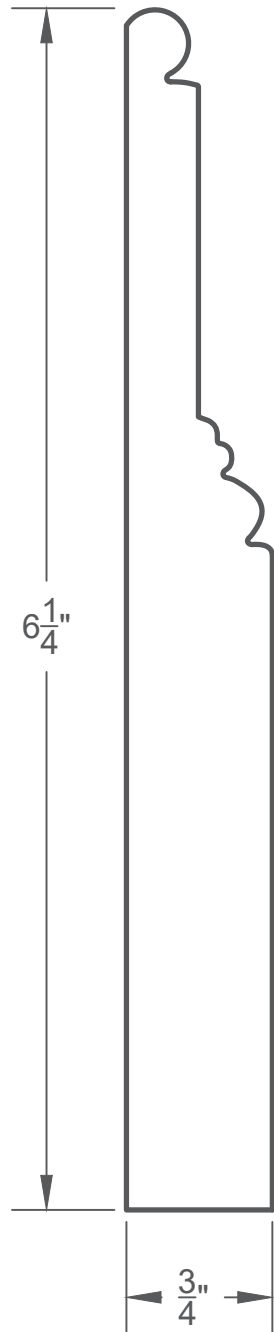




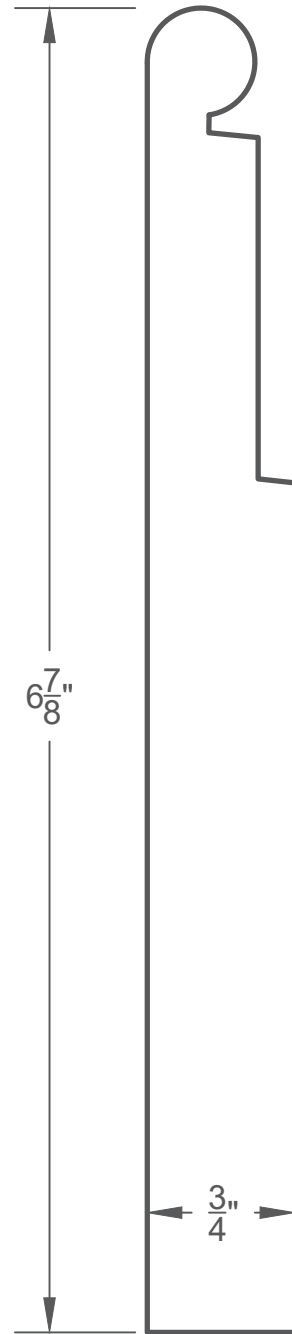
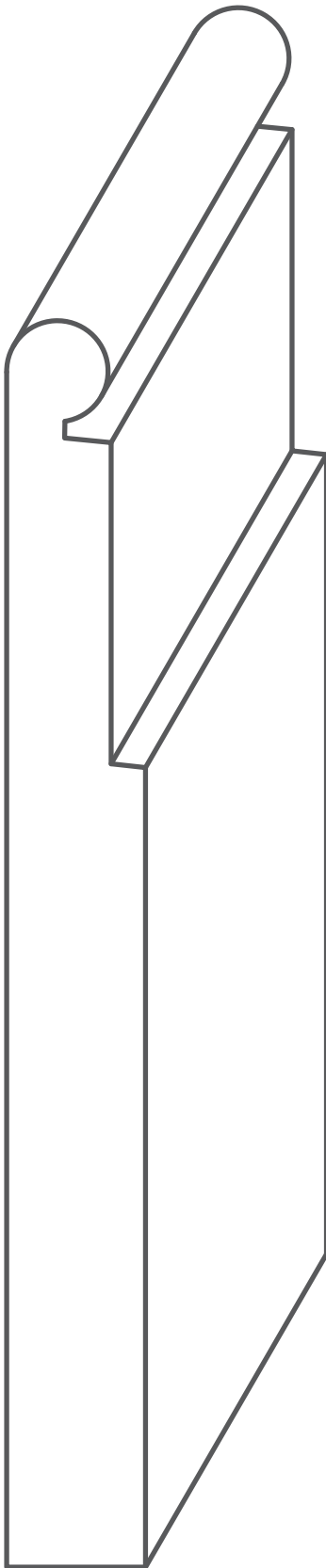
CN 3002 FULL SCALE

CASINGS

CASINGS



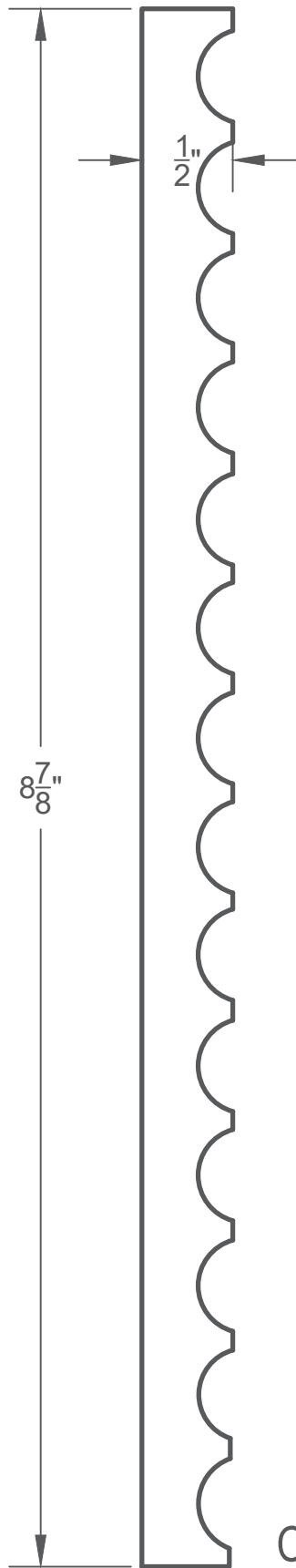
CN 3003 FULL SCALE



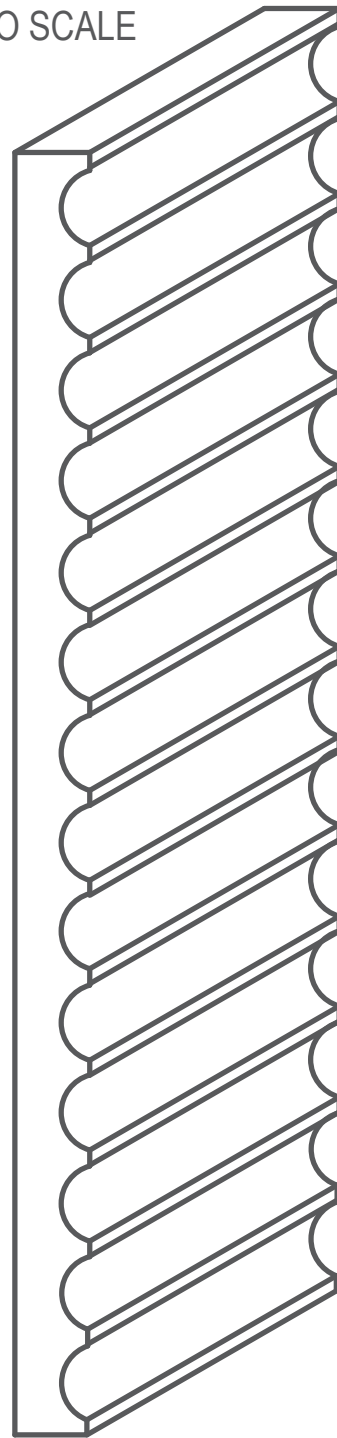
CN 3004 FULL SCALE

CASINGS

CASINGS

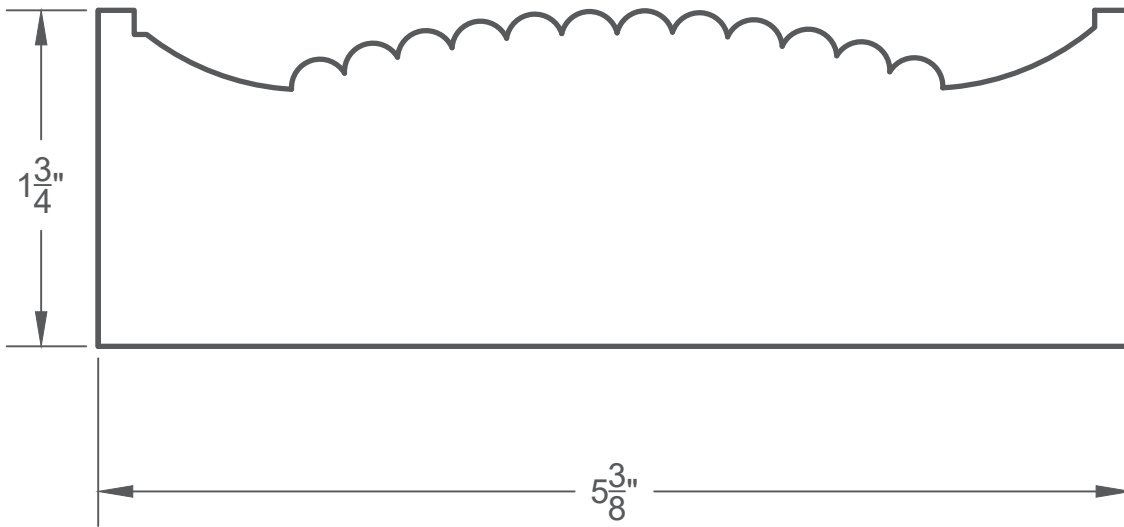


NOT TO SCALE

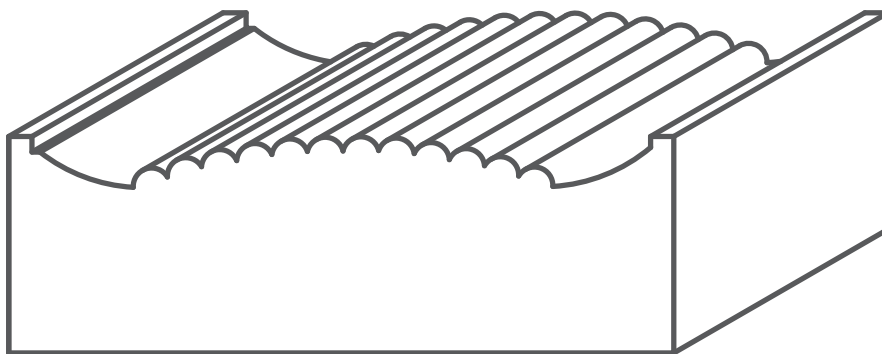


CN 3006

FULL SCALE

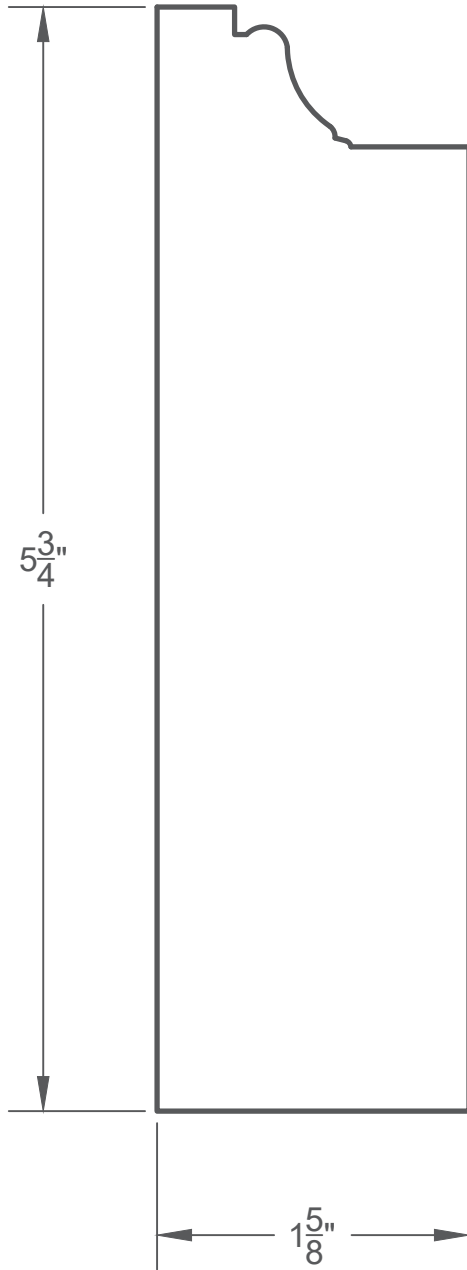


CN 3007 FULL SCALE



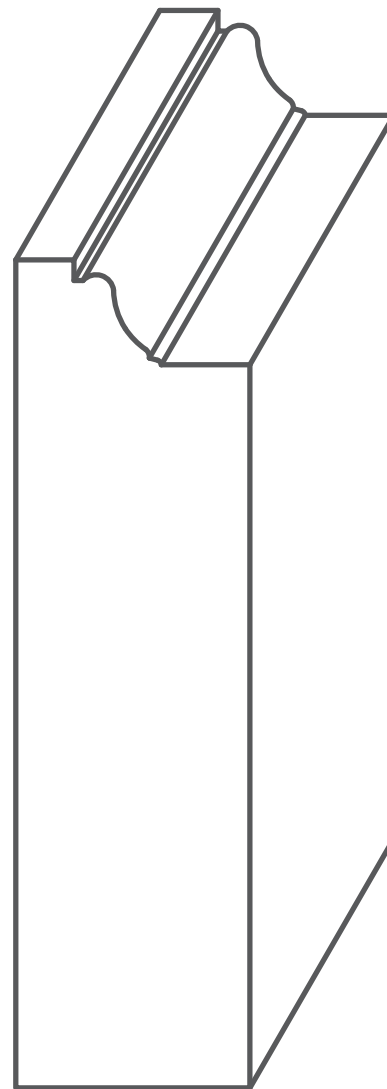
NOT TO SCALE

CASINGS

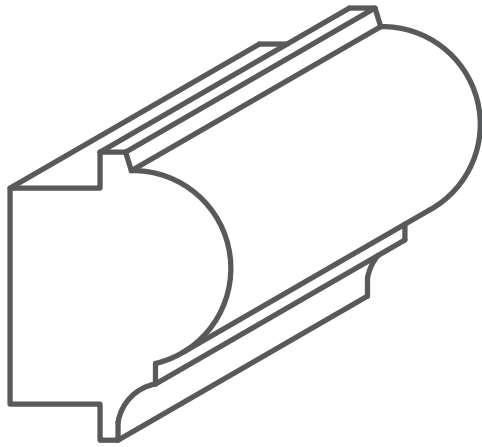


CN 3011

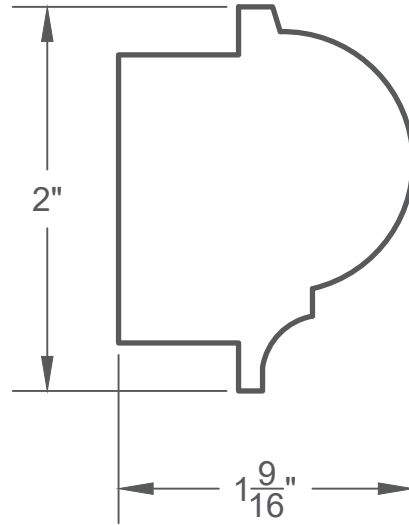
FULL SCALE



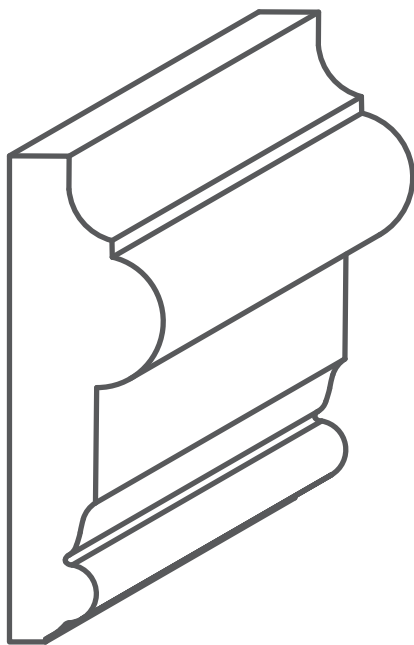
NOT TO SCALE



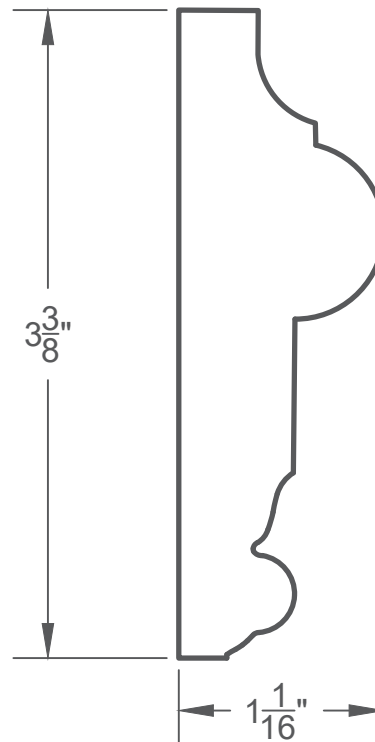
NOT TO SCALE



CR 1001 FULL SCALE

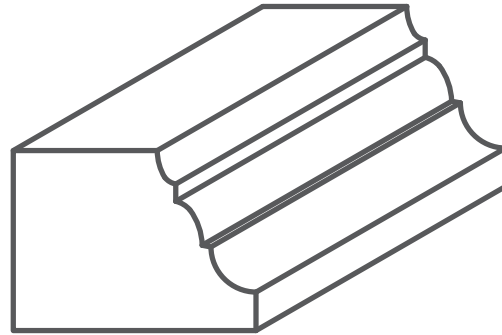
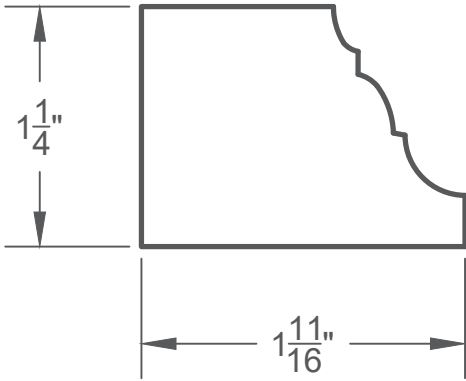


NOT TO SCALE



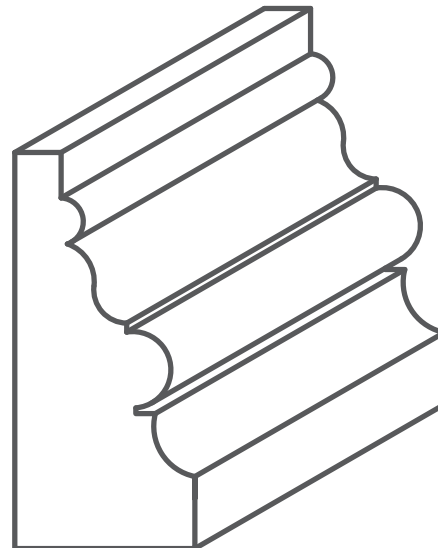
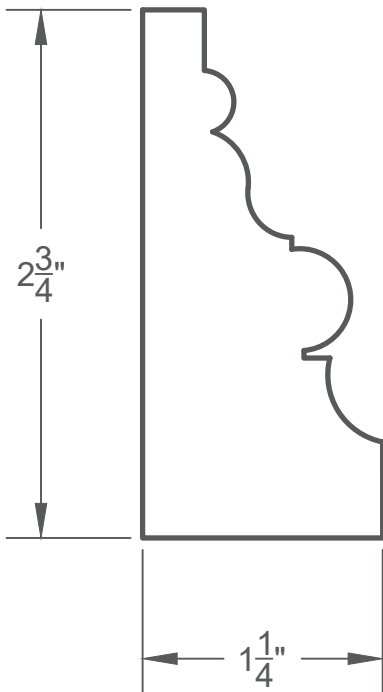
CR 2001 FULL SCALE

CHAIR RAILS



NOT TO SCALE

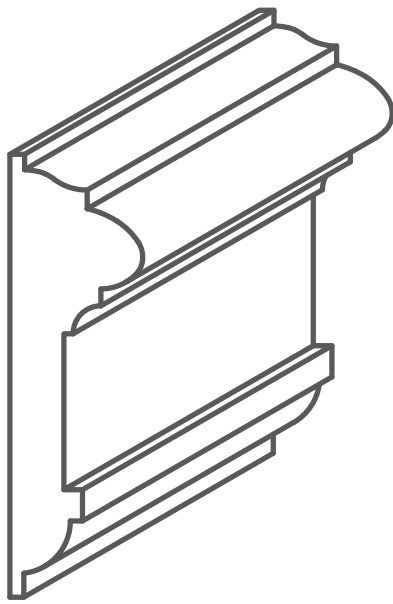
CR 1002 FULL SCALE



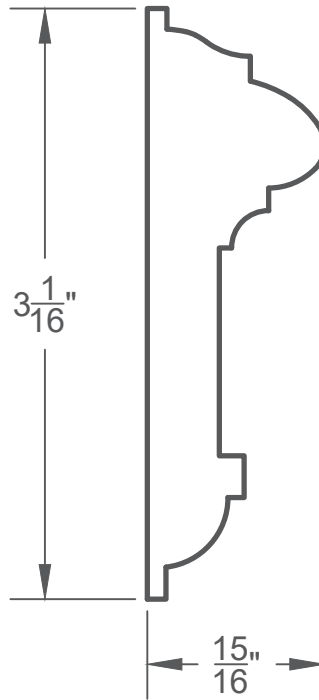
NOT TO SCALE

CR 2005 FULL SCALE

CHAIR RAILS

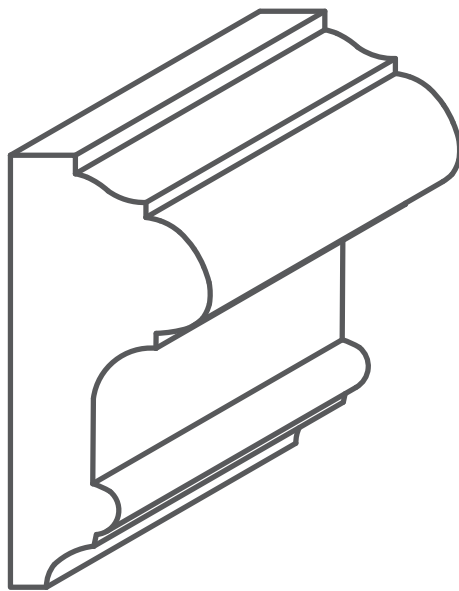


NOT TO SCALE

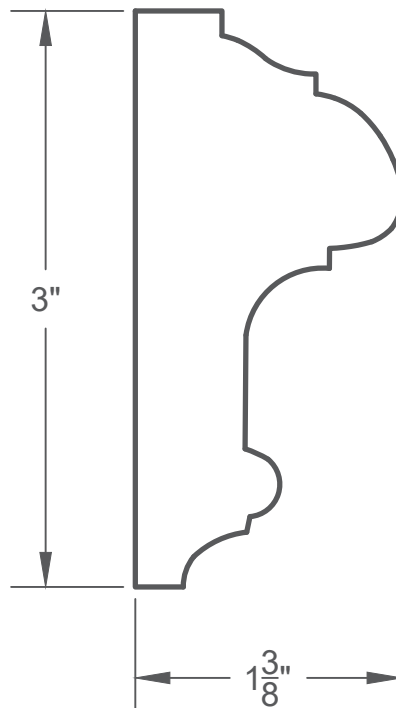


CR 2002

FULL SCALE



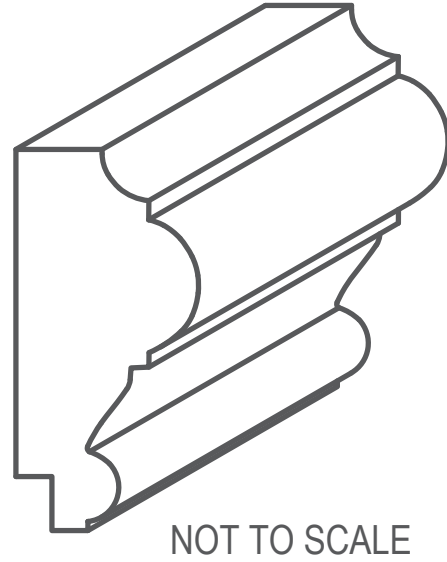
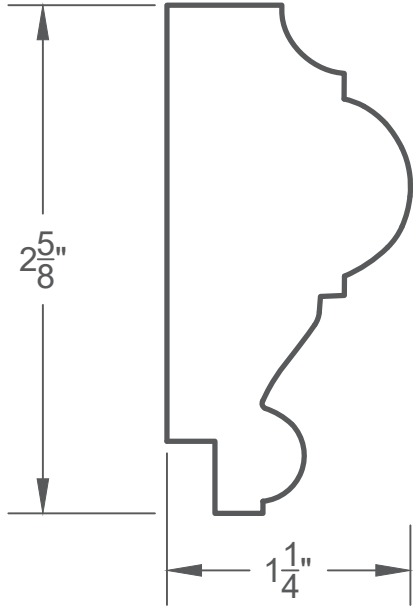
NOT TO SCALE



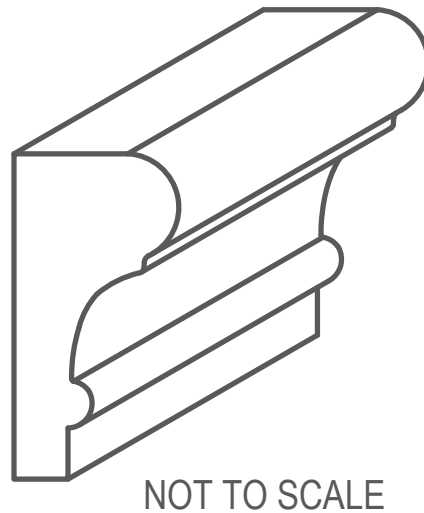
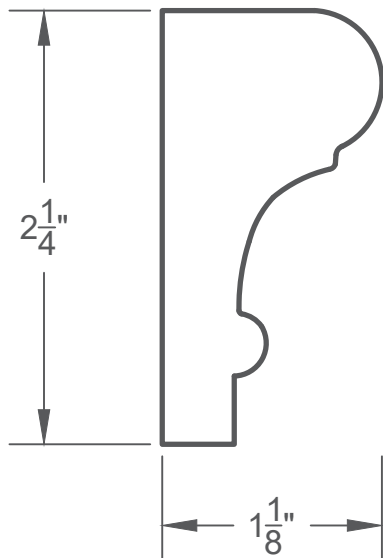
CR 2003

FULL SCALE

CHAIR RAILS

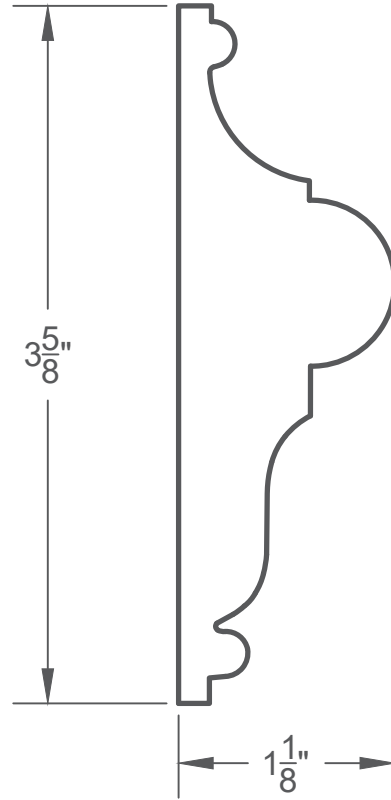
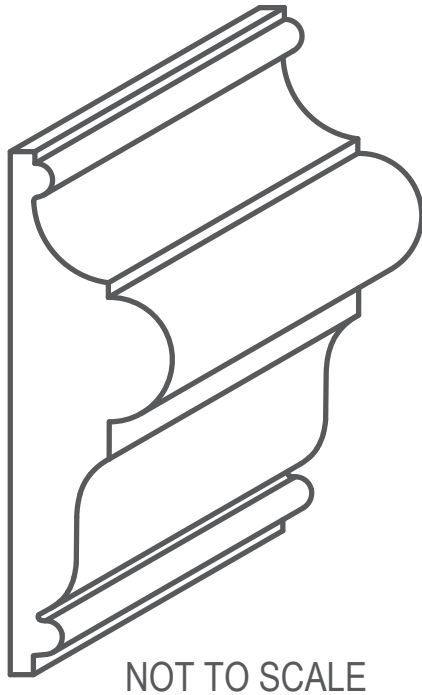


CR 2004 FULL SCALE



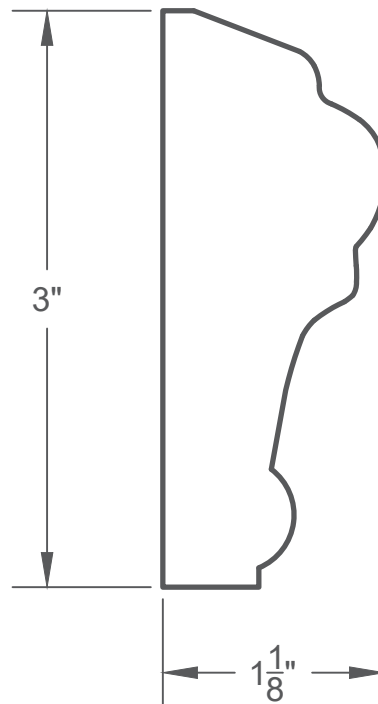
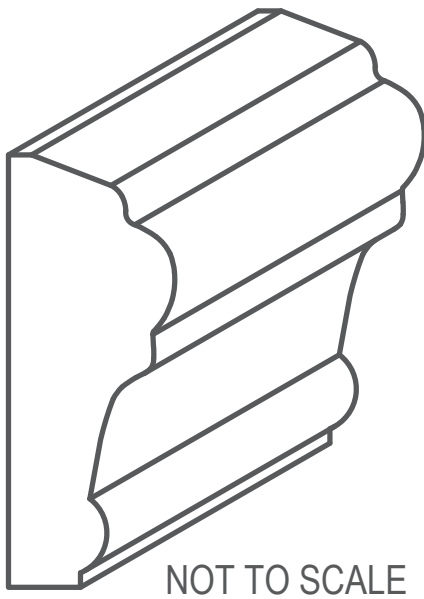
CR 2006 FULL SCALE

CHAIR RAILS



CR 2007

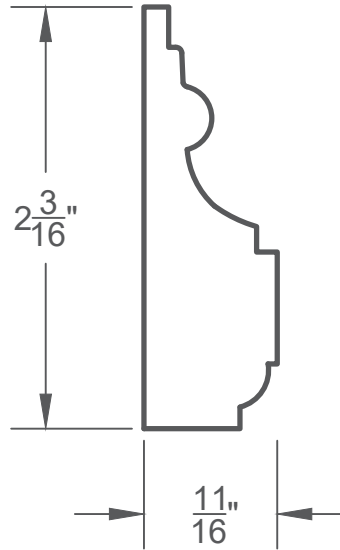
FULL SCALE



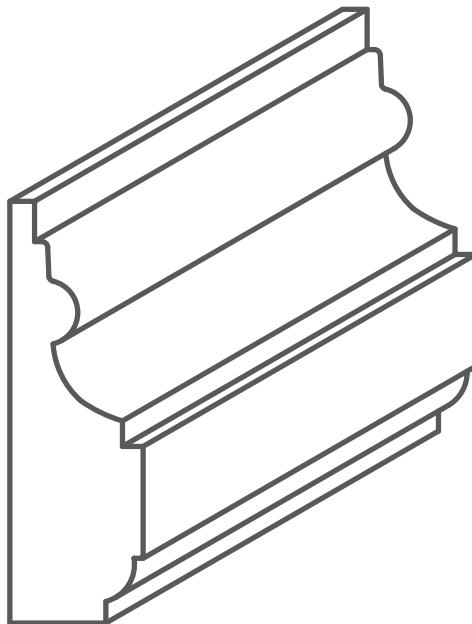
CR 2008

FULL SCALE

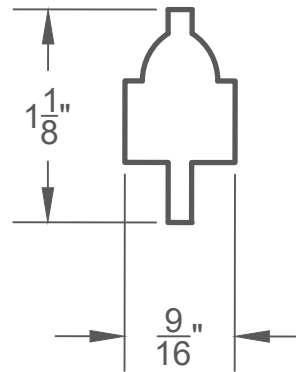
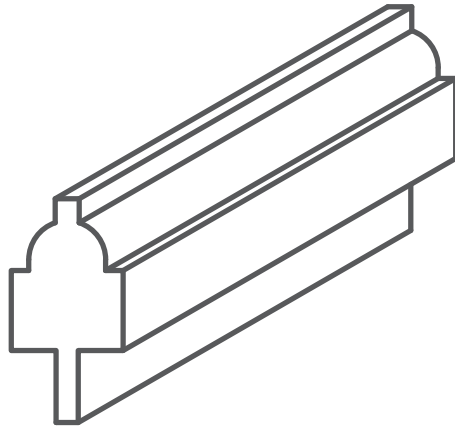
CHAIR RAILS



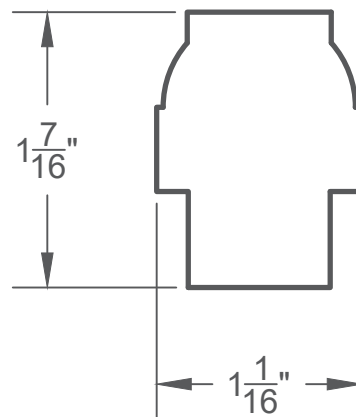
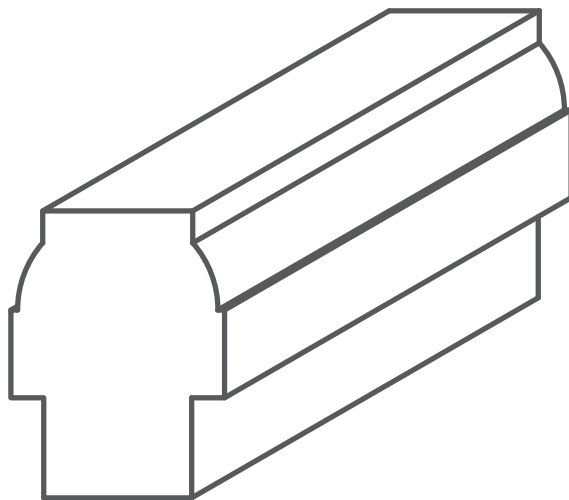
CR 2009 FULL SCALE



CHAIR RAILS



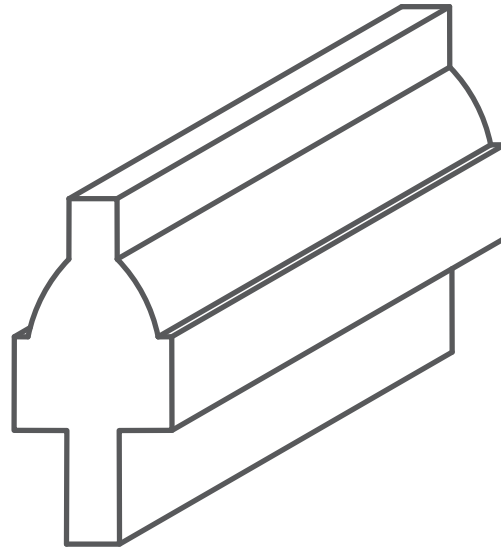
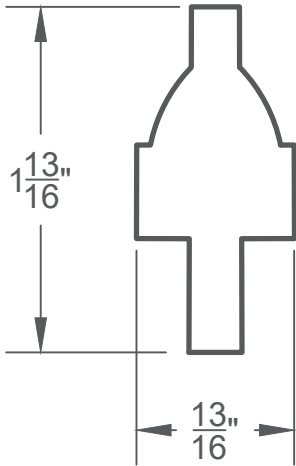
CS 1001 FULL SCALE



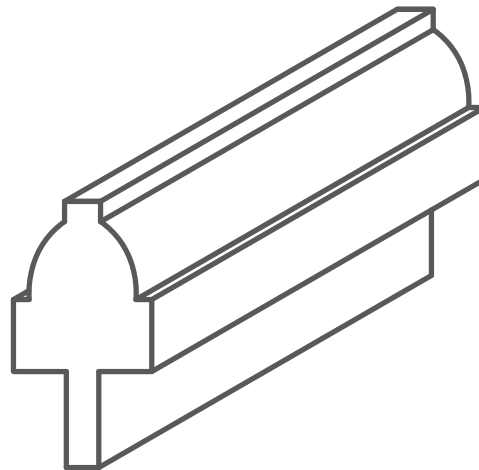
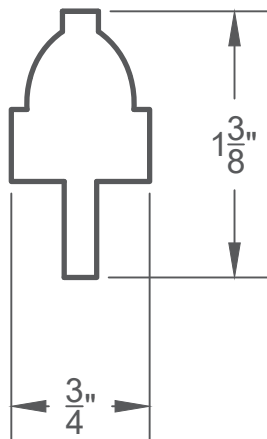
CS 1002 FULL SCALE

COPE AND STICK

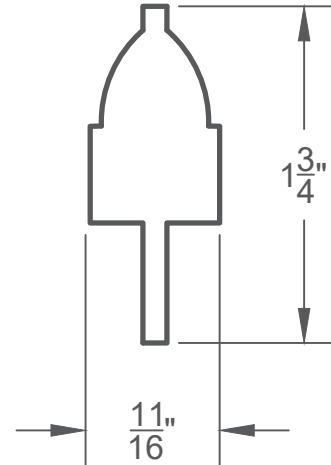
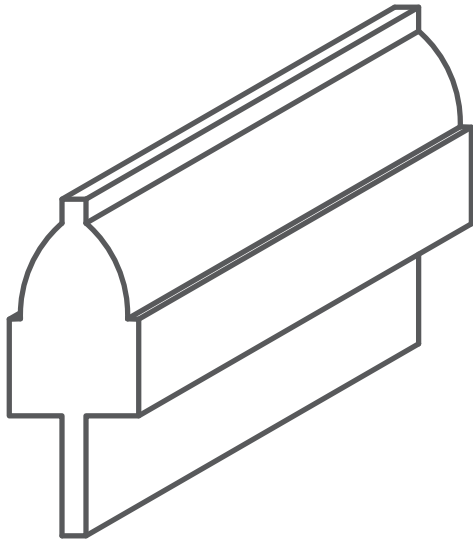
COPE AND STICK



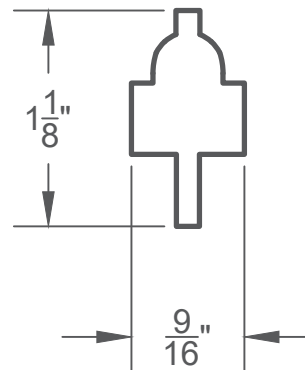
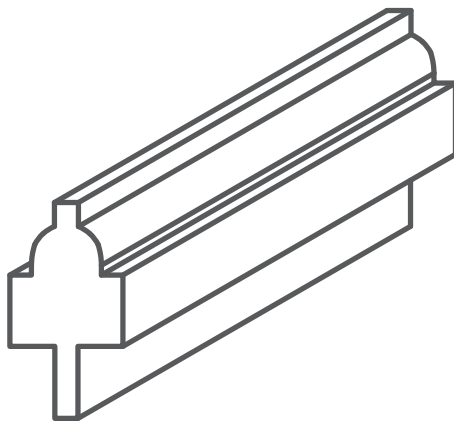
CS 1003 FULL SCALE



CS 1004 FULL SCALE



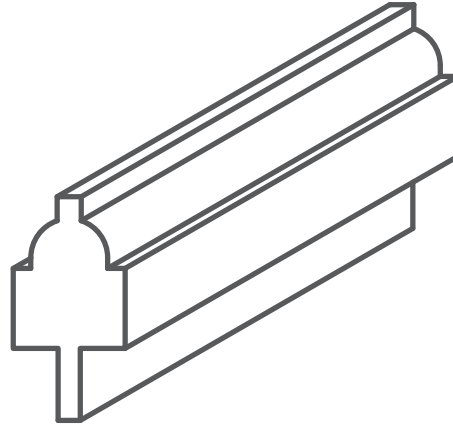
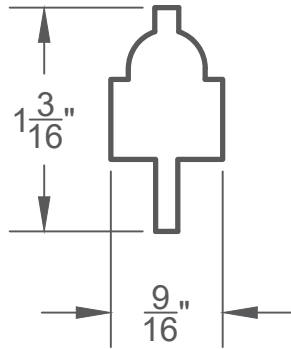
CS 1006 FULL SCALE



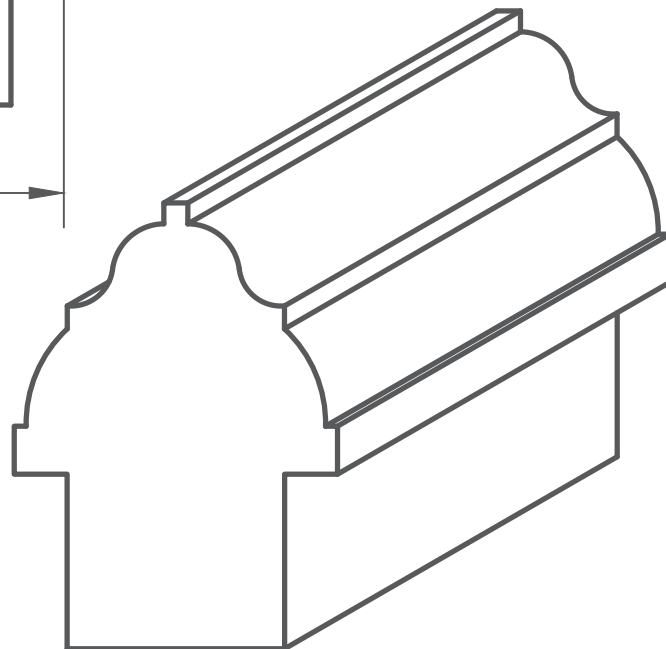
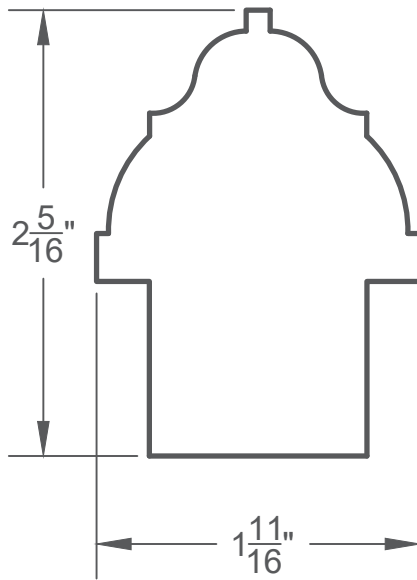
CS 1007 FULL SCALE

COPE AND STICK

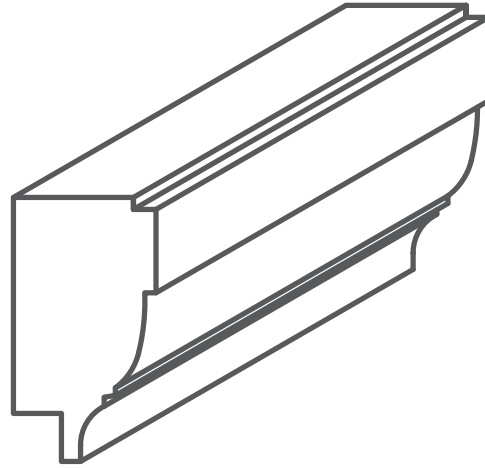
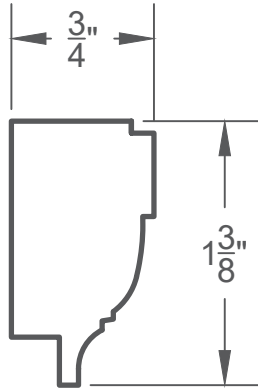
COPE AND STICK



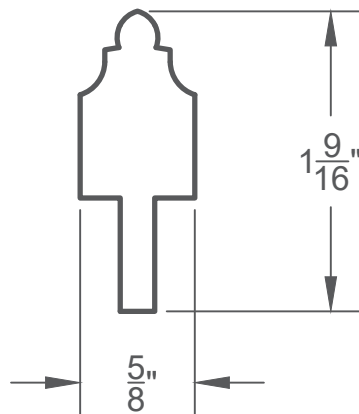
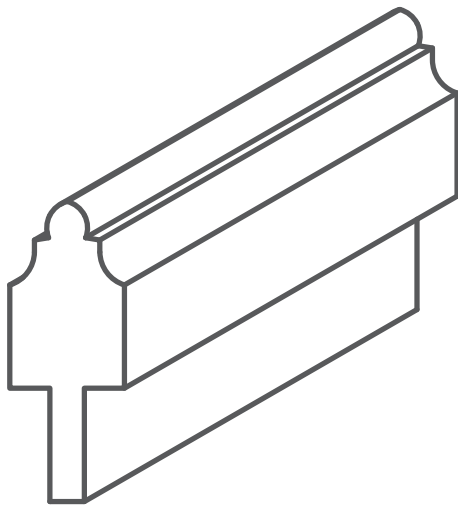
CS 1008 FULL SCALE



CS 1009 FULL SCALE



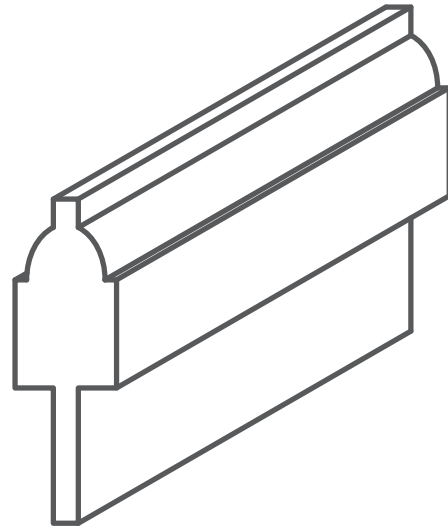
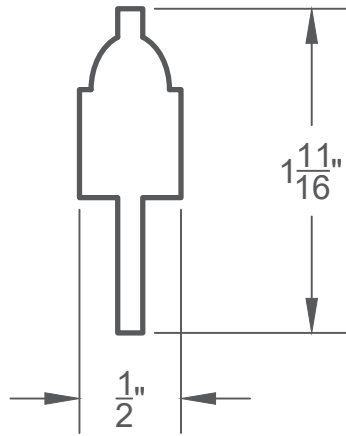
CS 1010 FULL SCALE



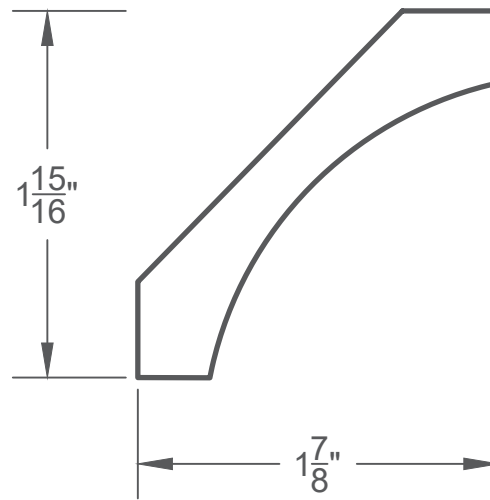
CS 1016 FULL SCALE

COPE AND STICK

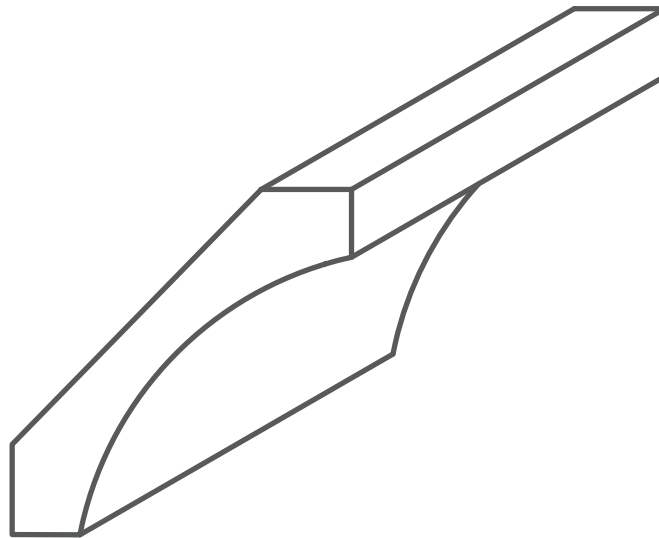
COPE AND STICK

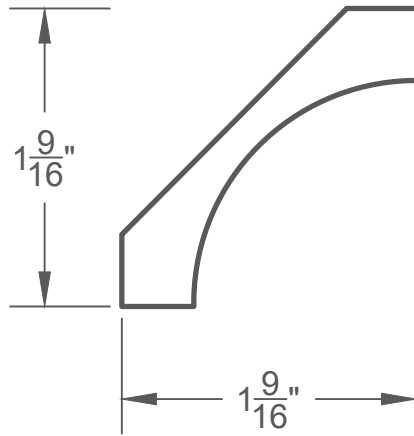


CS 1017 FULL SCALE

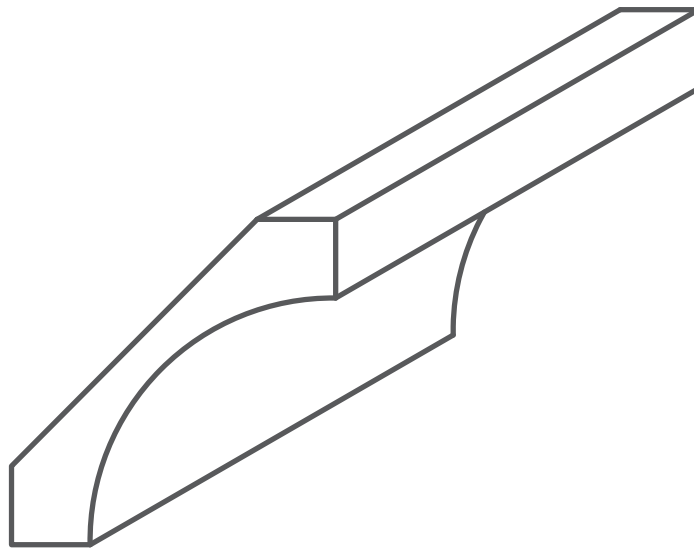


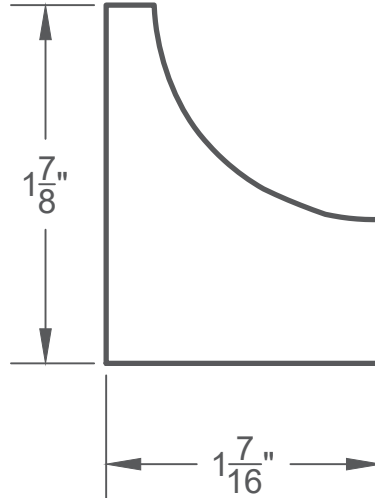
CV 1001 FULL SCALE



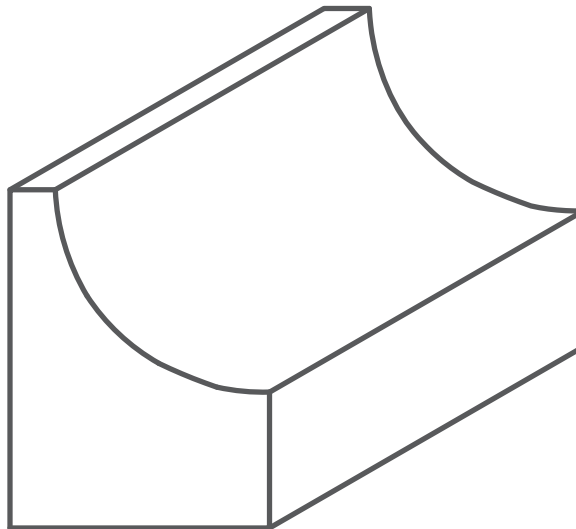


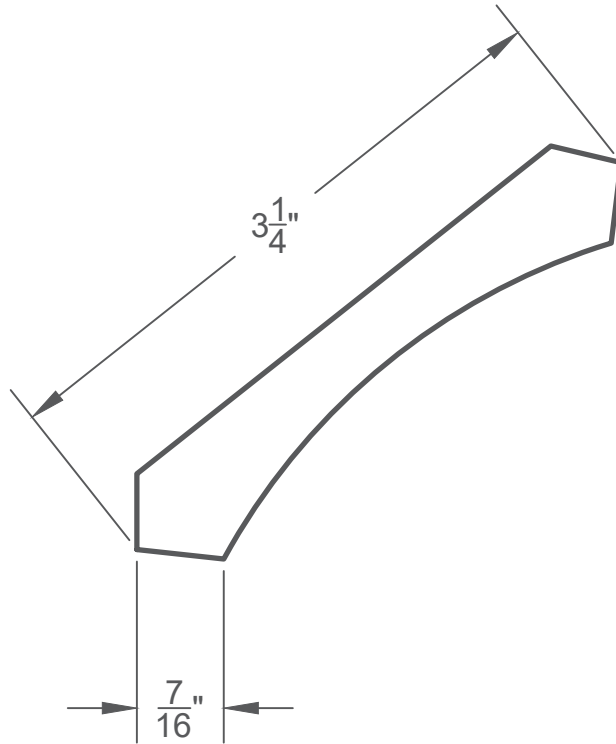
CV 1002 FULL SCALE



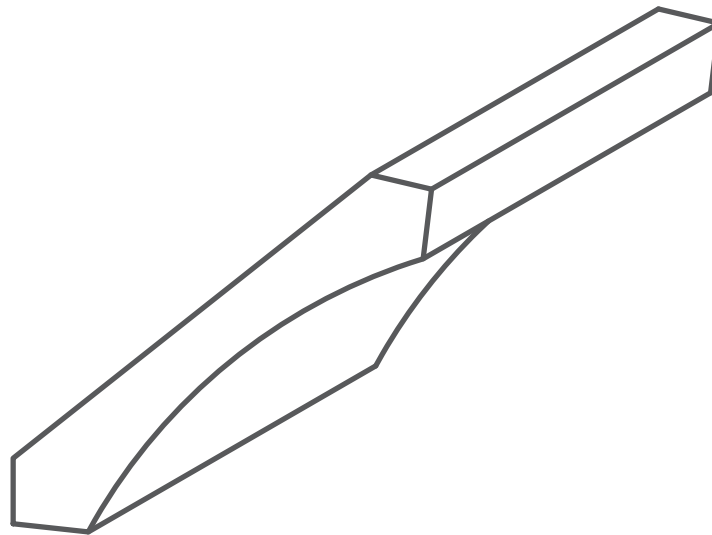


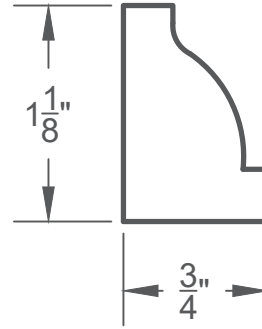
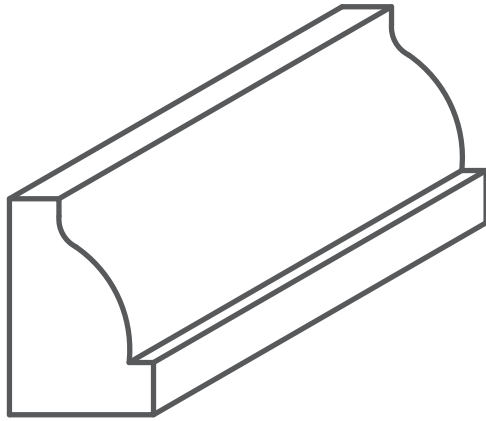
CV 1006 FULL SCALE



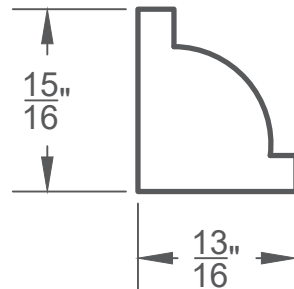
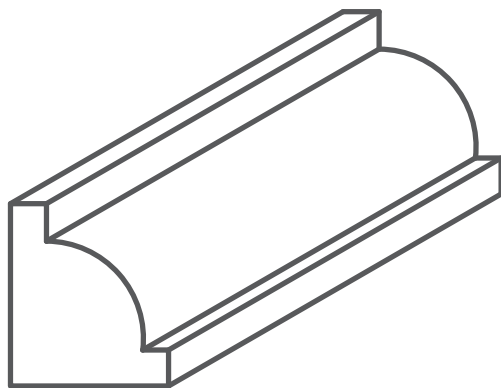


CV 2001 FULL SCALE



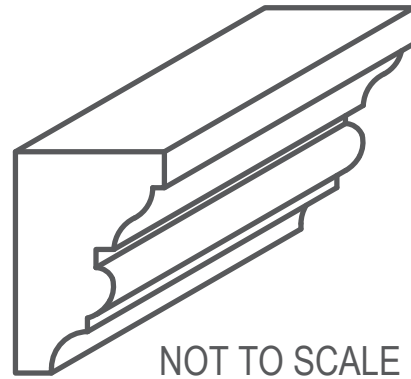
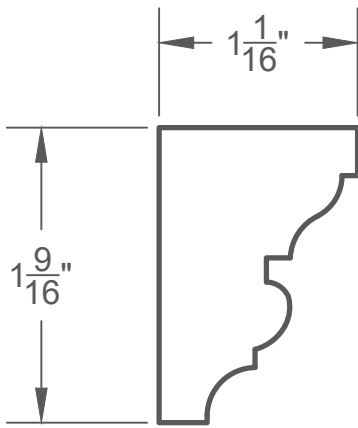


CW 1001 FULL SCALE

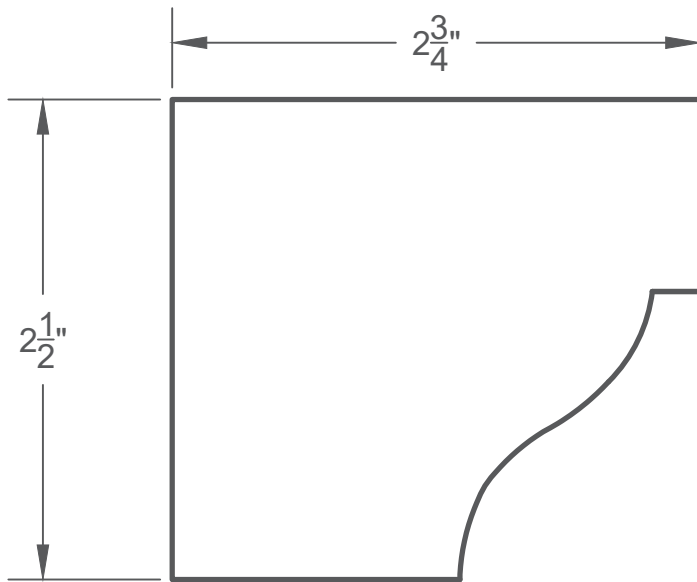


CW 1002 FULL SCALE

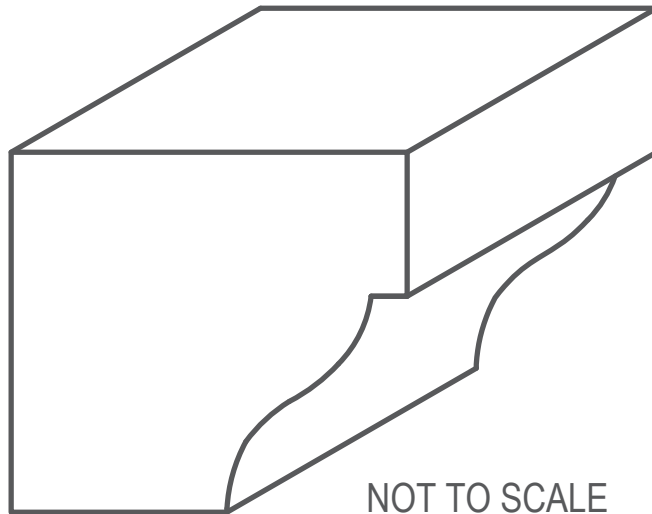
CROWNS



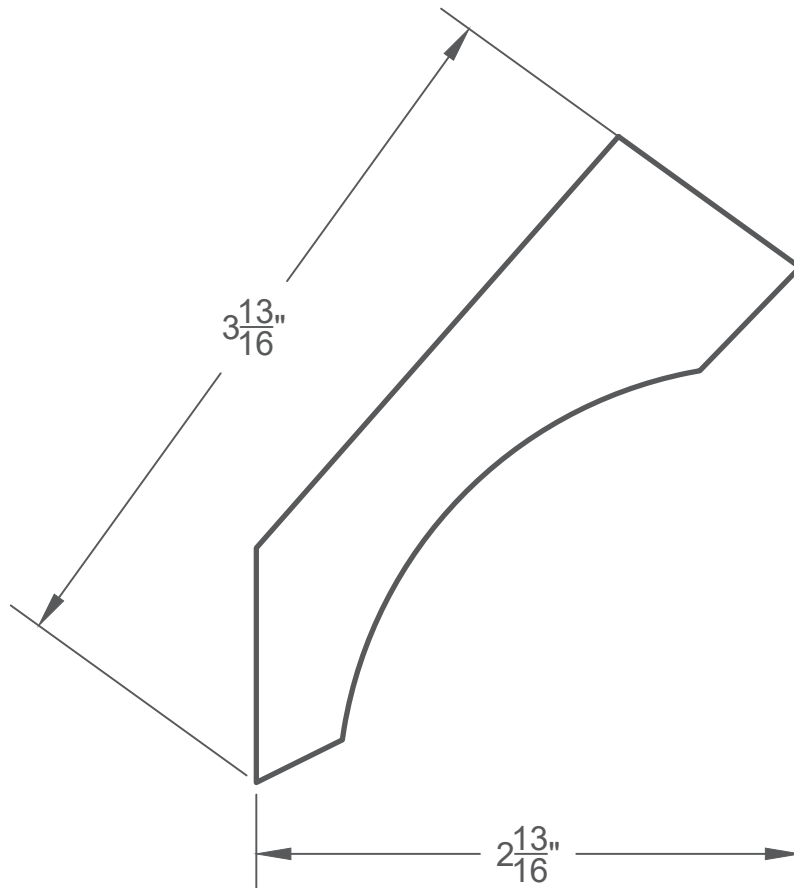
CW 1003 FULL SCALE



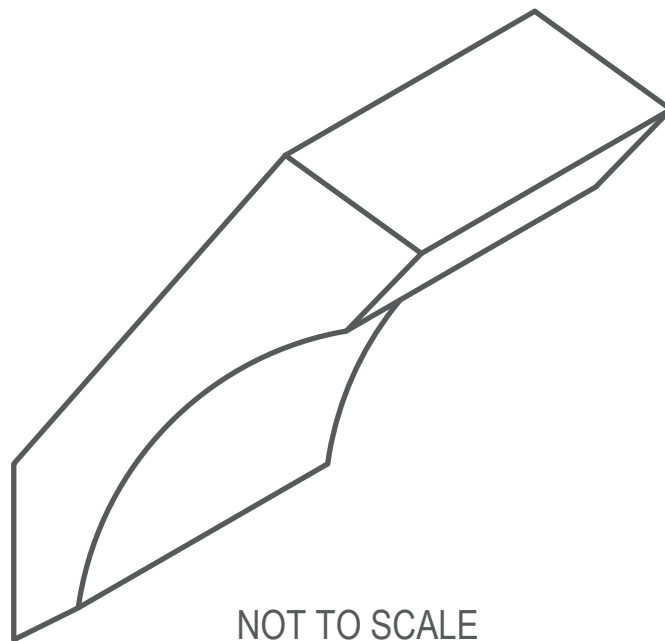
CW 2008
FULL SCALE



CROWNS

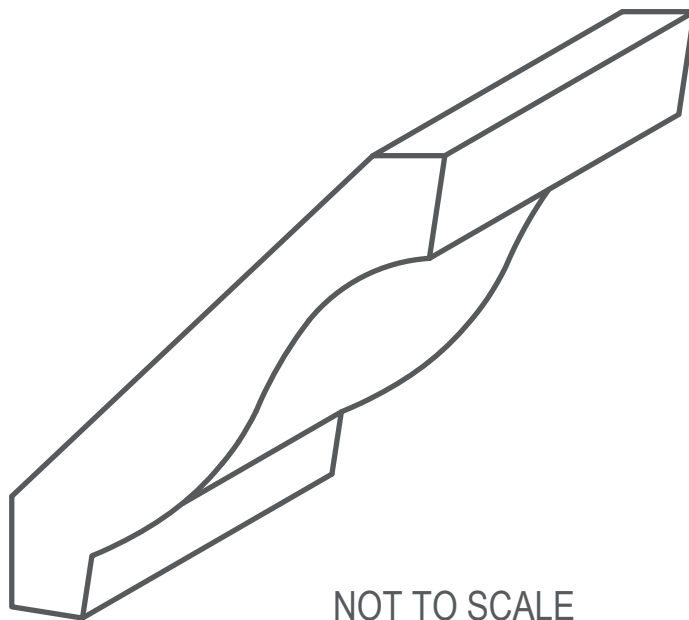
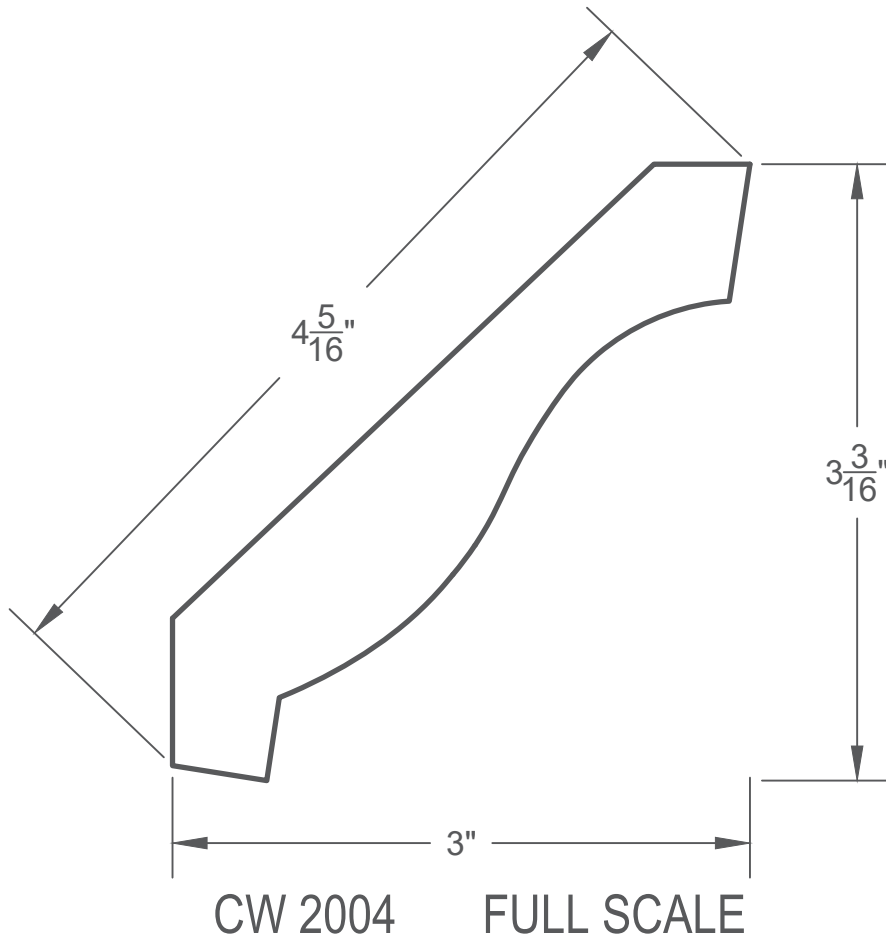


CW 2003 FULL SCALE

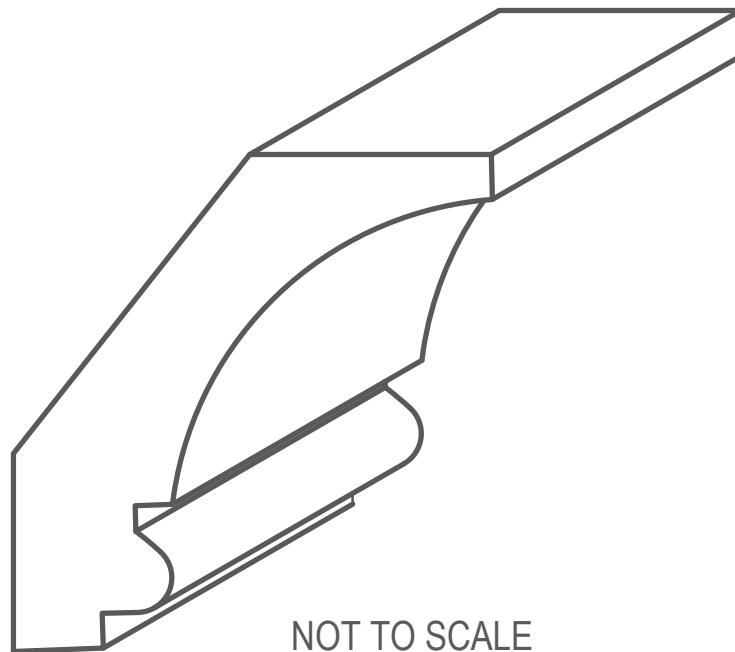
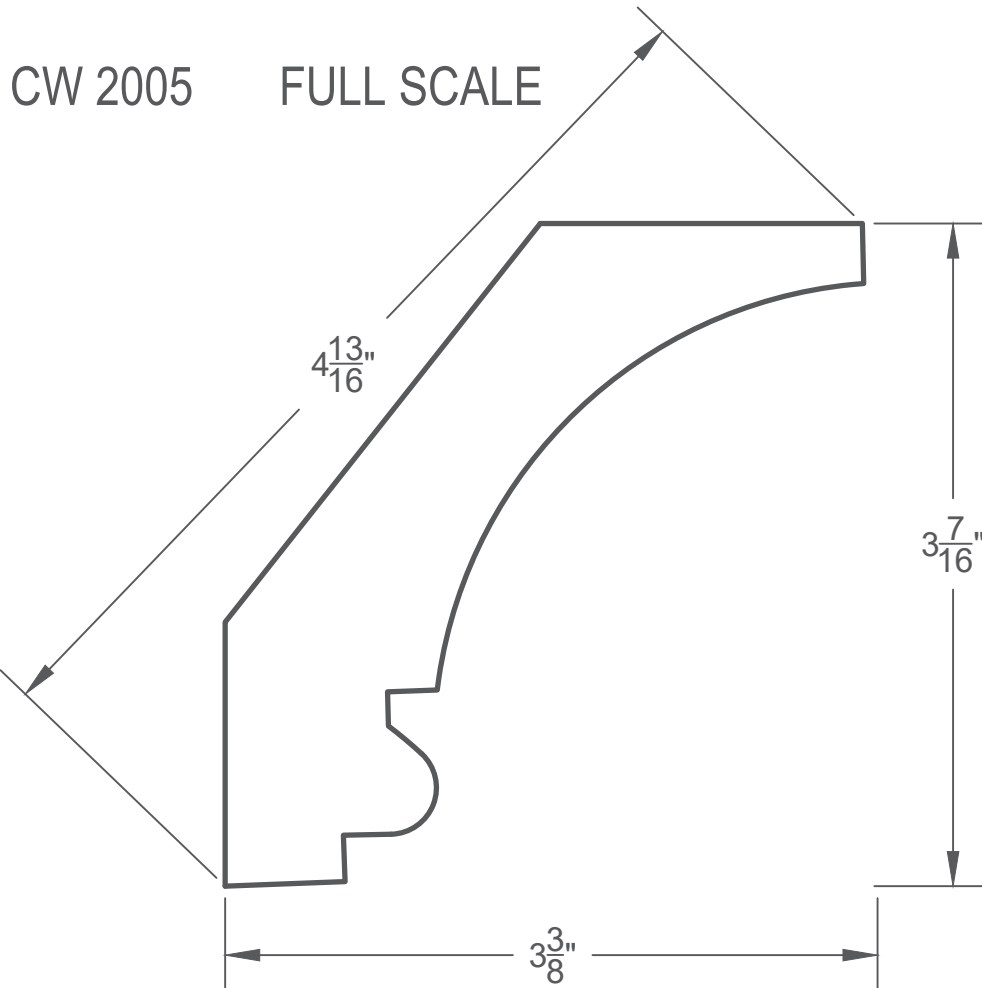


NOT TO SCALE

CROWNS

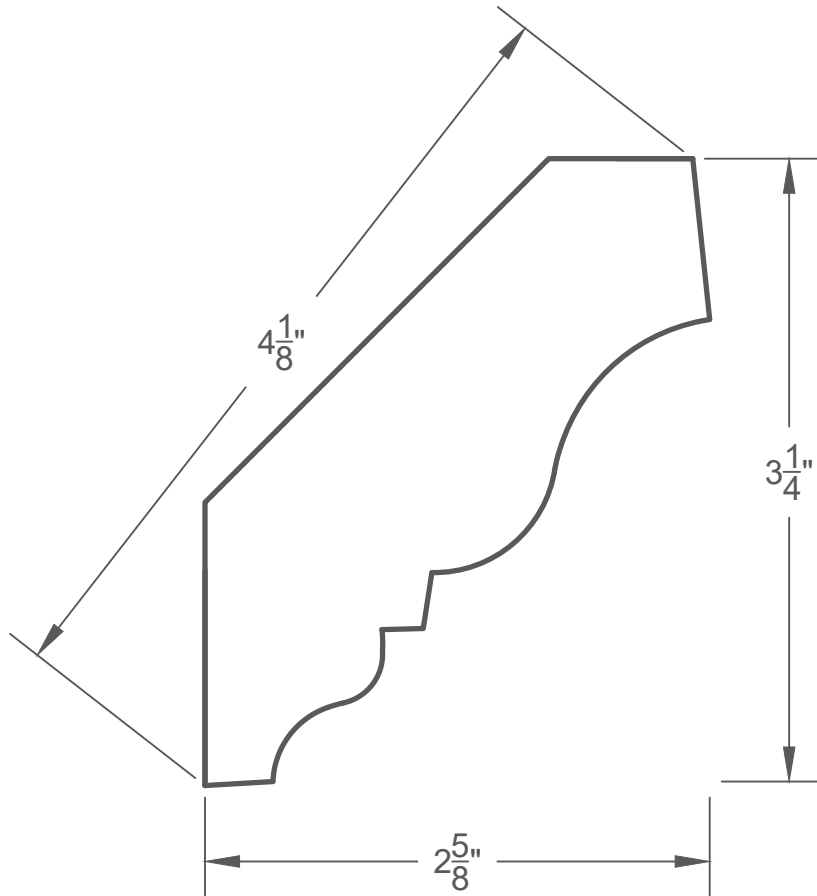


CROWNS



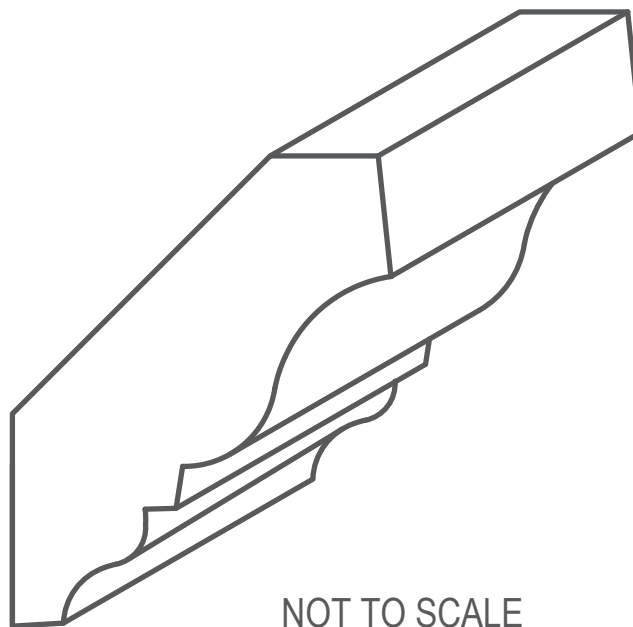
NOT TO SCALE

CROWNS



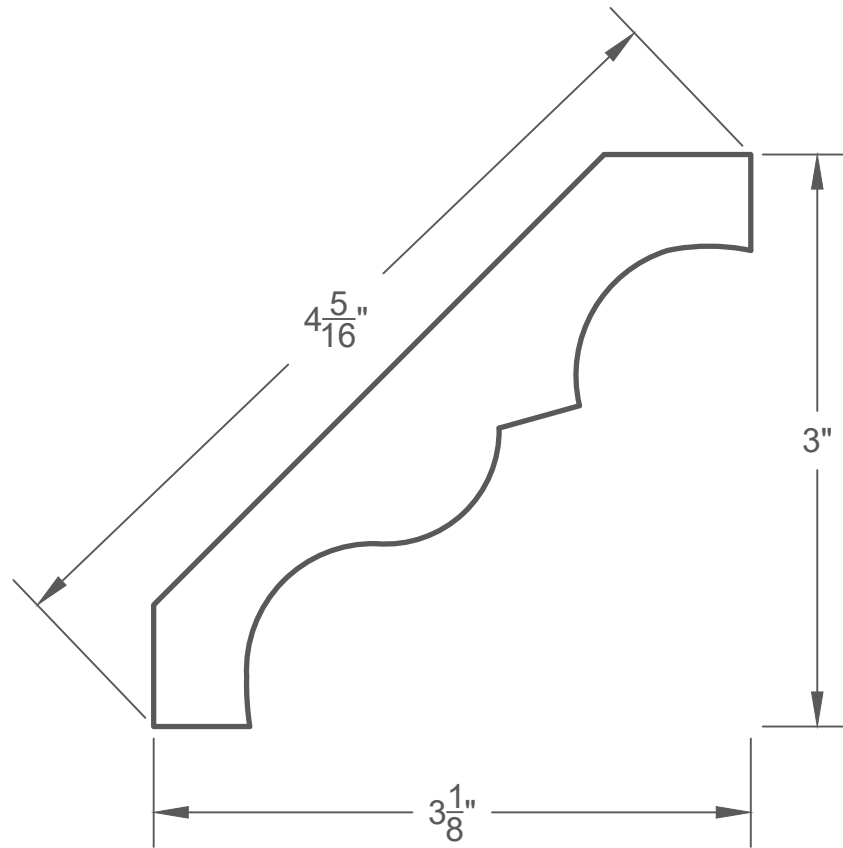
CW 2006

FULL SCALE

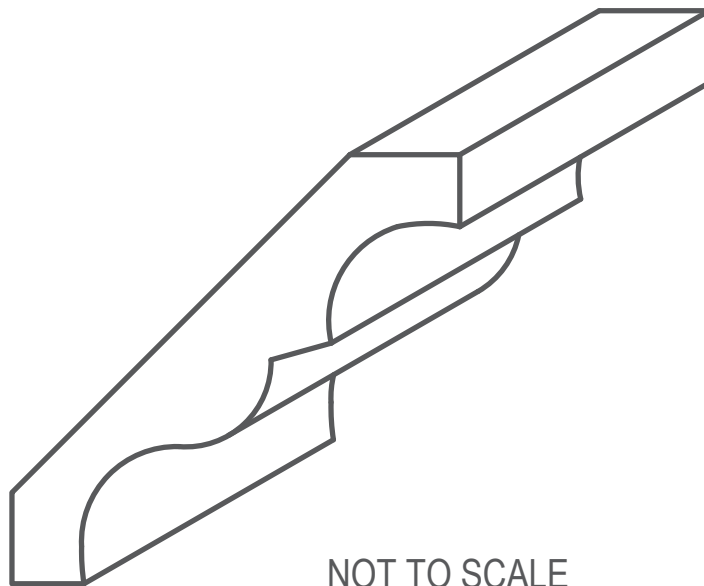


NOT TO SCALE

CROWNS

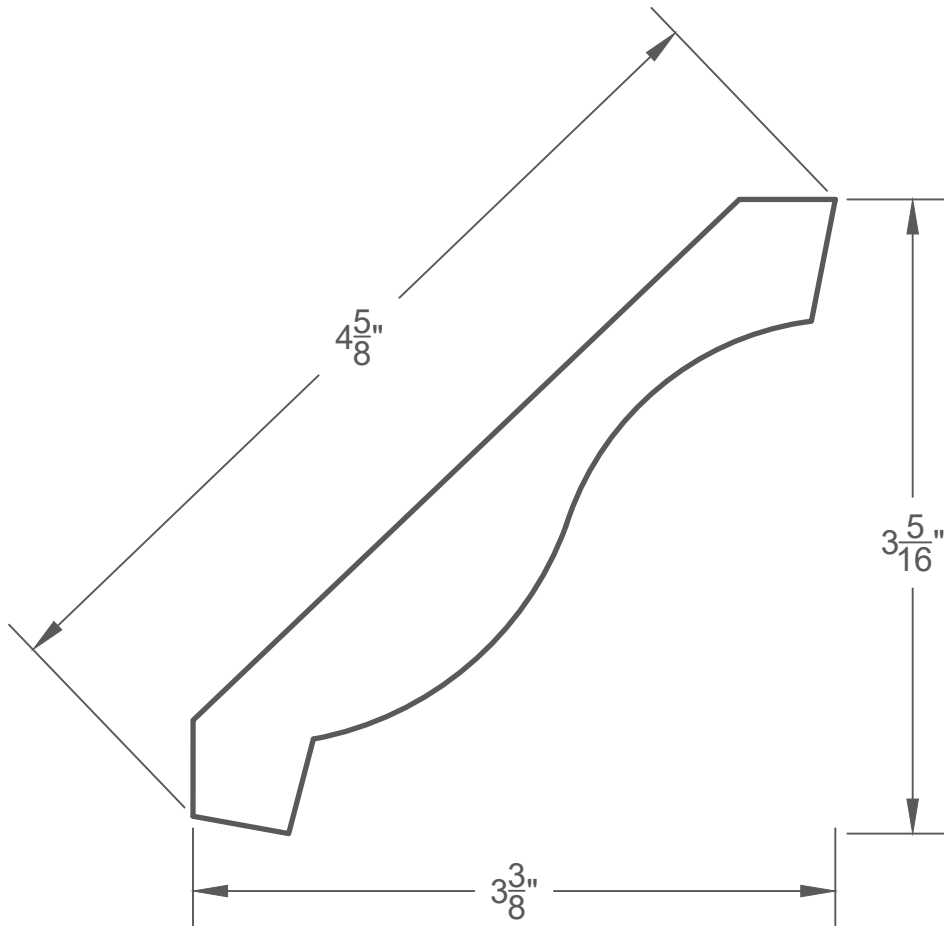


CW 2007 FULL SCALE

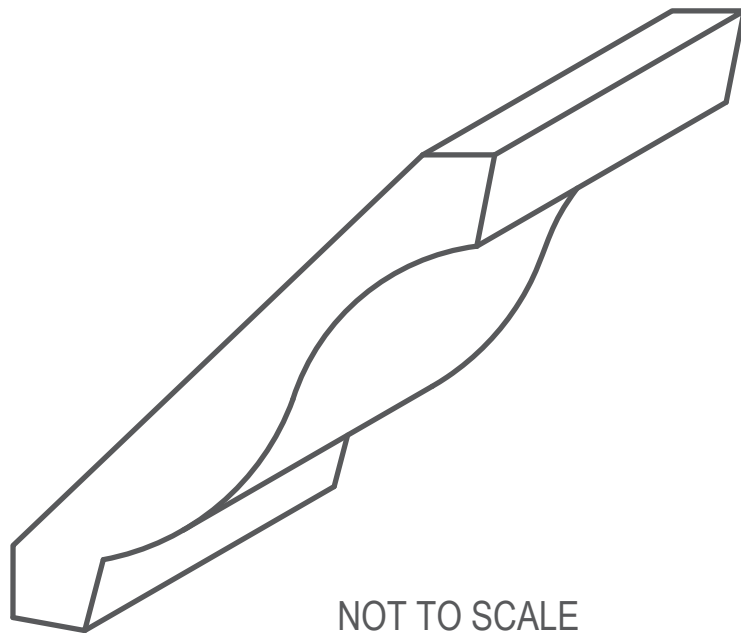


NOT TO SCALE

CROWNS

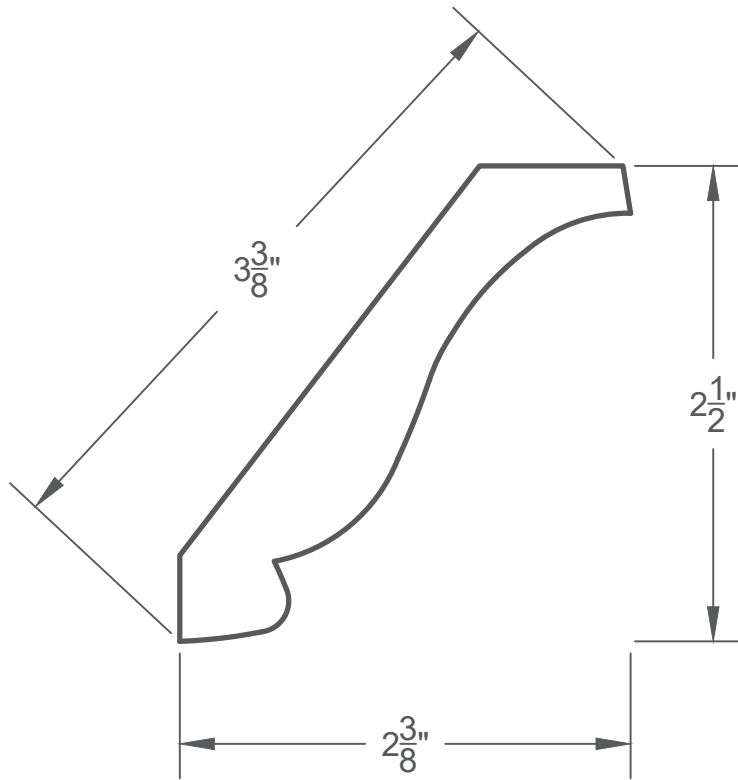


CW 2009 FULL SCALE

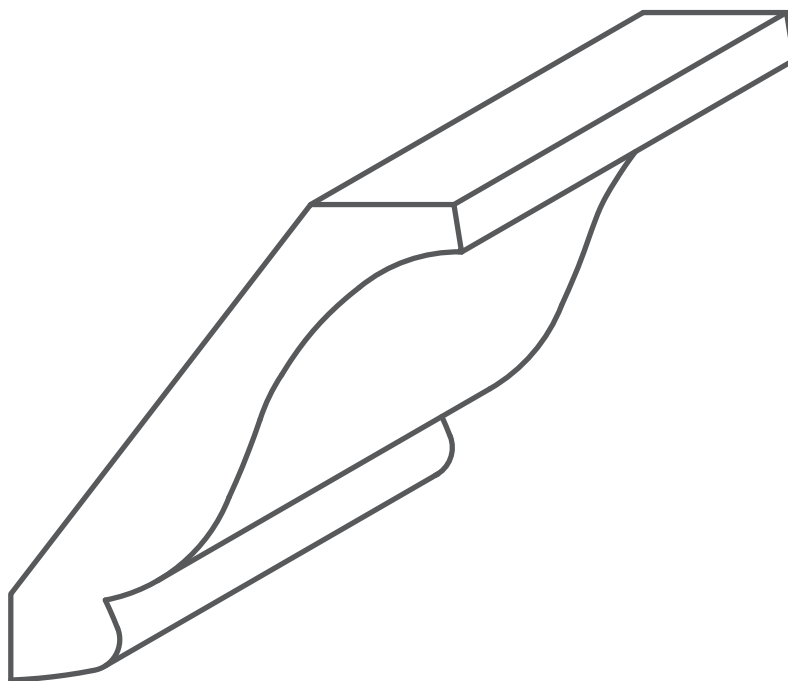


NOT TO SCALE

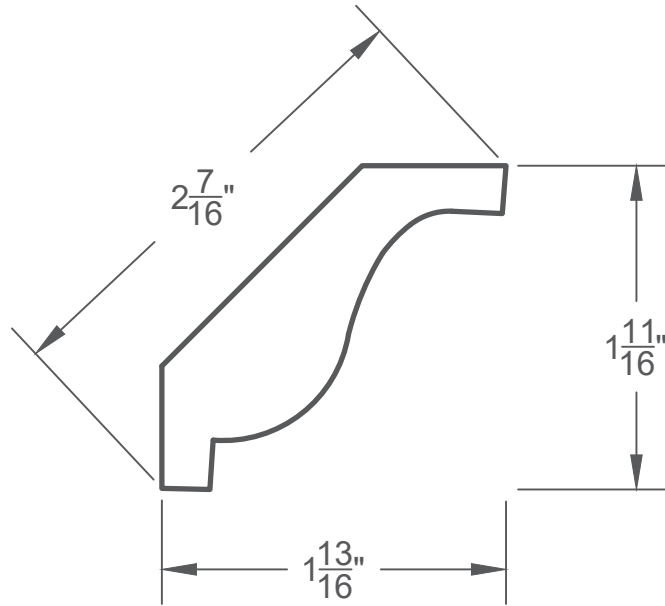
CROWNS



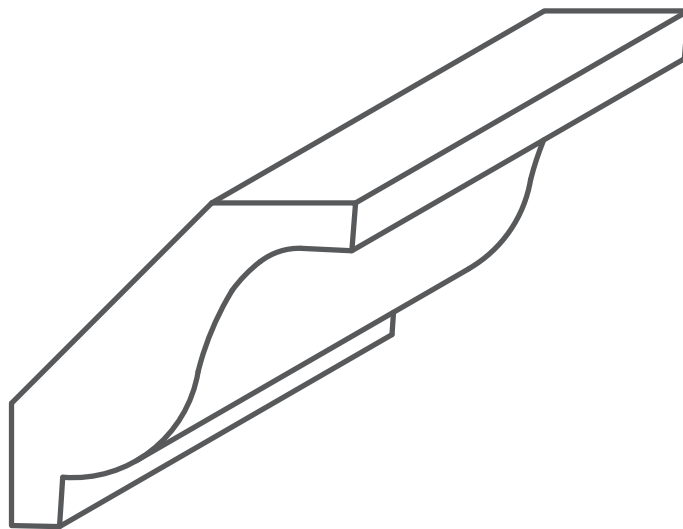
CW 2010 FULL SCALE



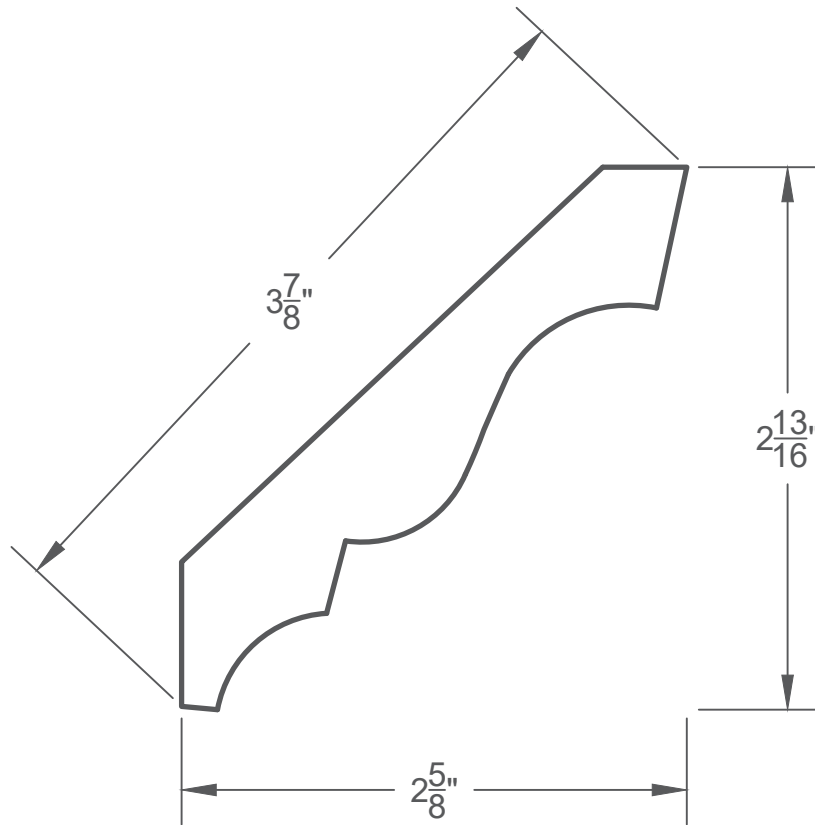
CROWNS



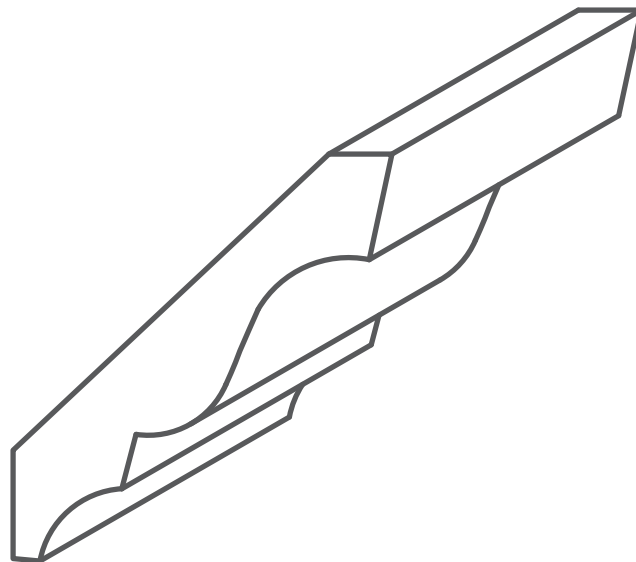
CW 2011 FULL SCALE



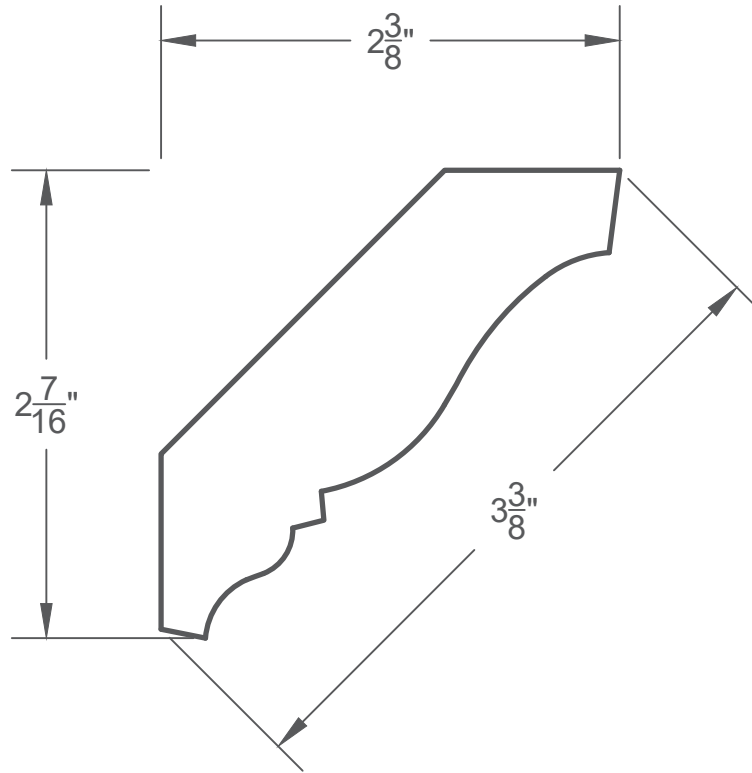
CROWNS



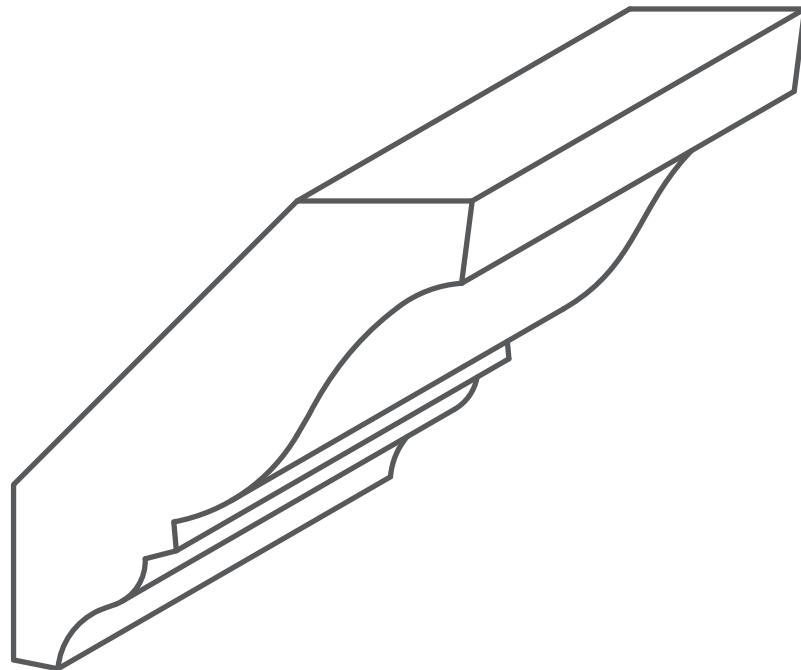
CW 2012 FULL SCALE



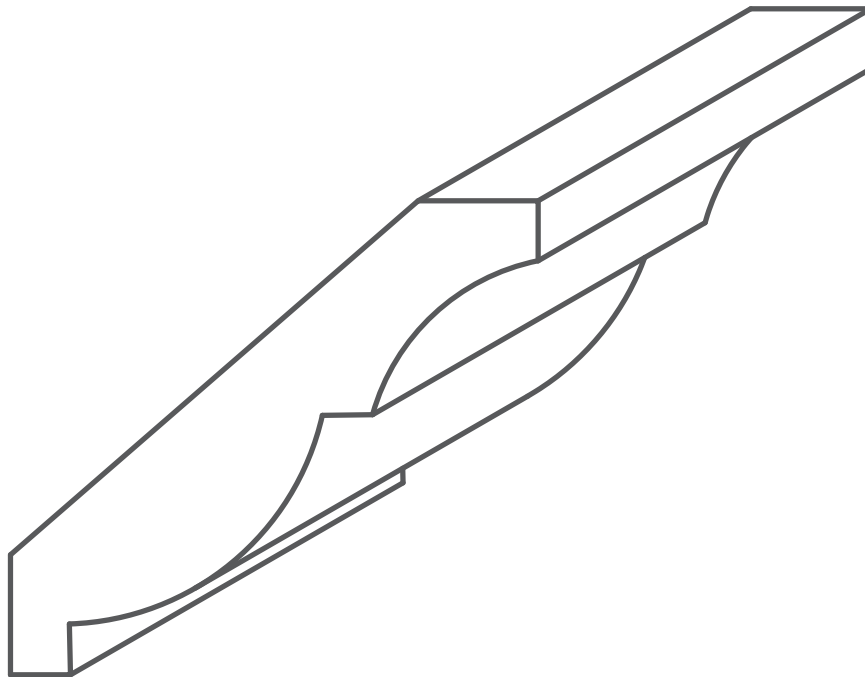
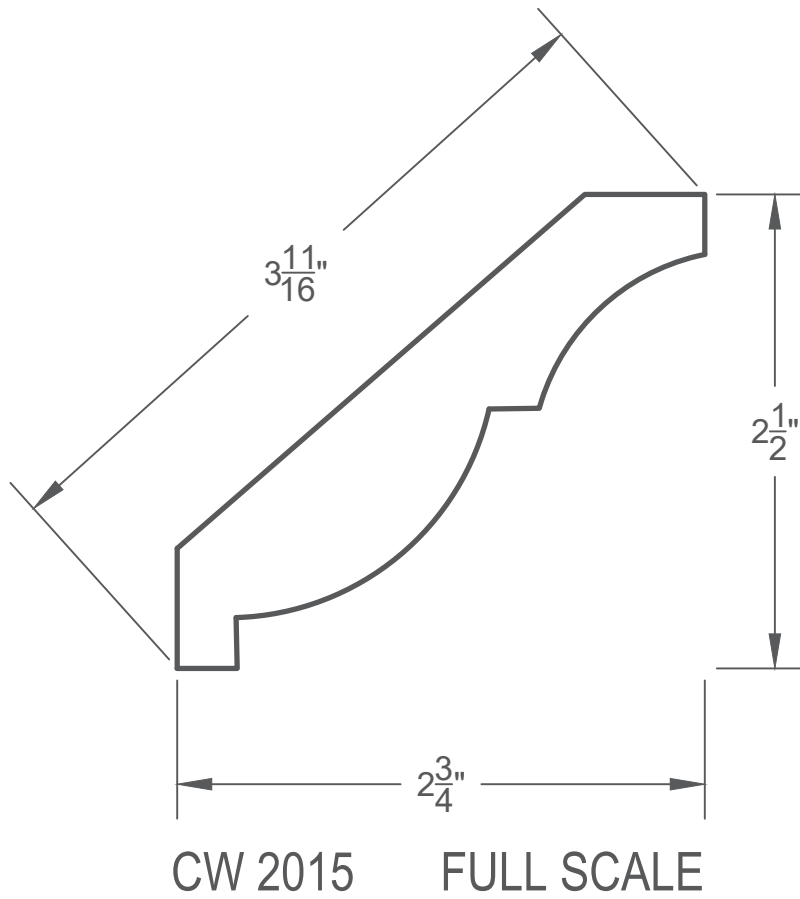
CROWNS



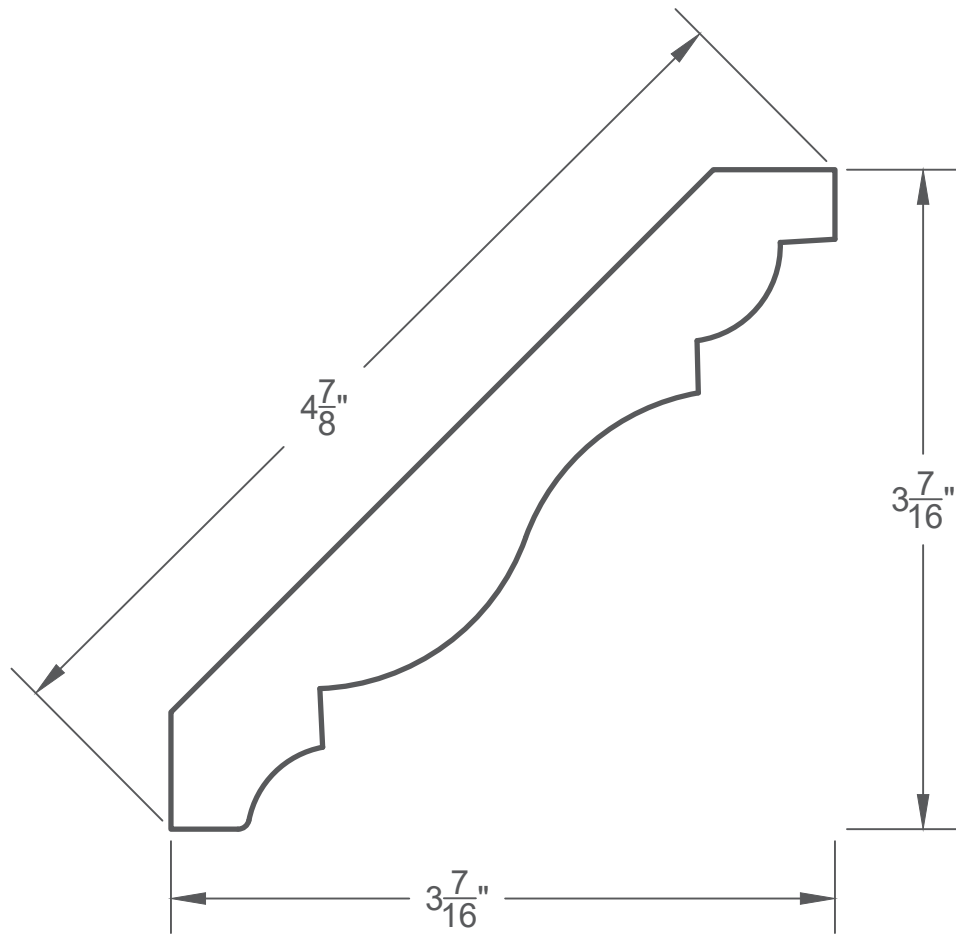
CW 2014 FULL SCALE



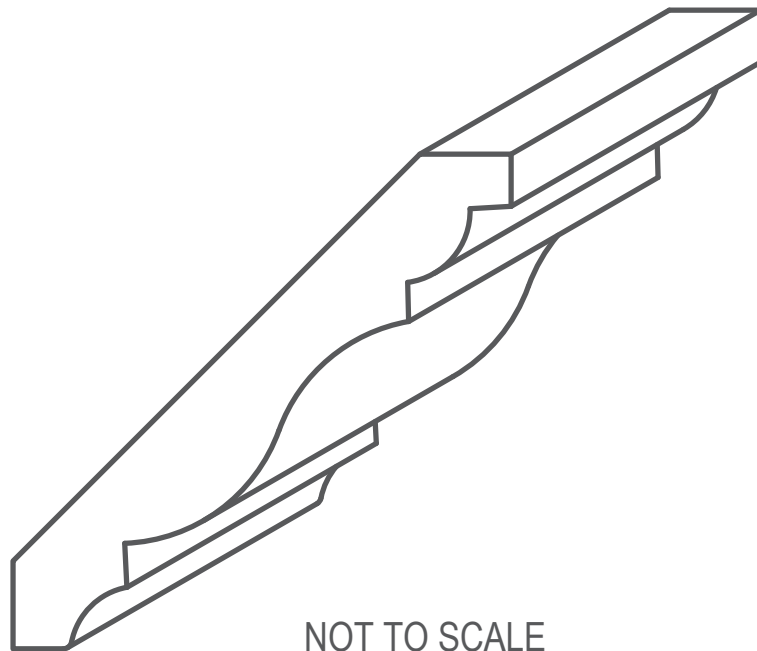
CROWNS



CROWNS

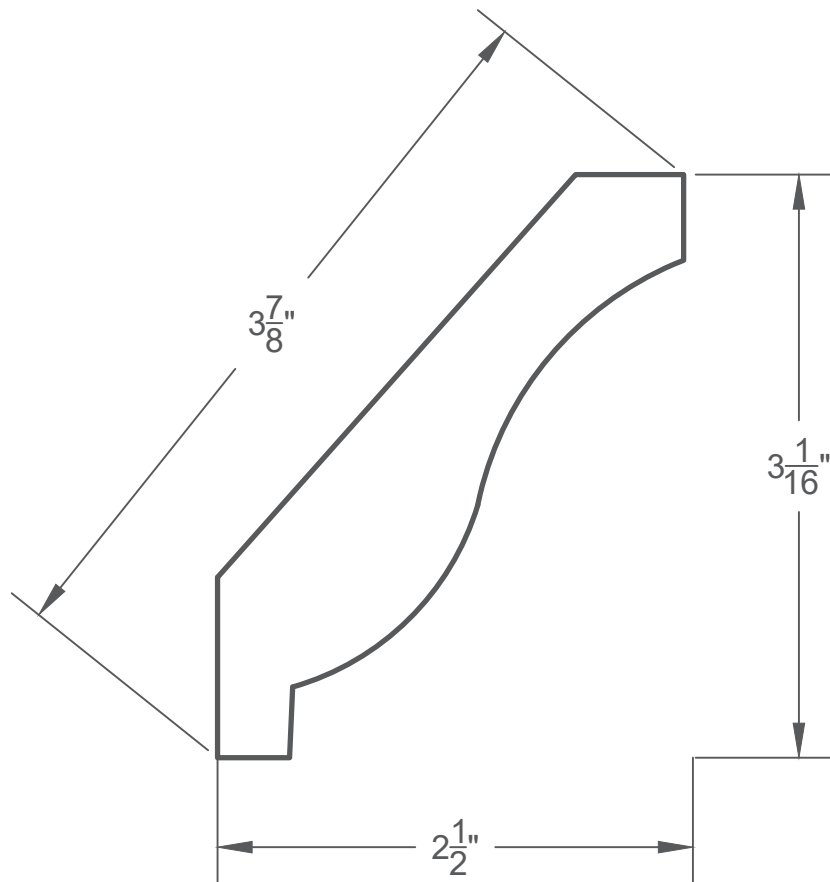


CW 2016 FULL SCALE

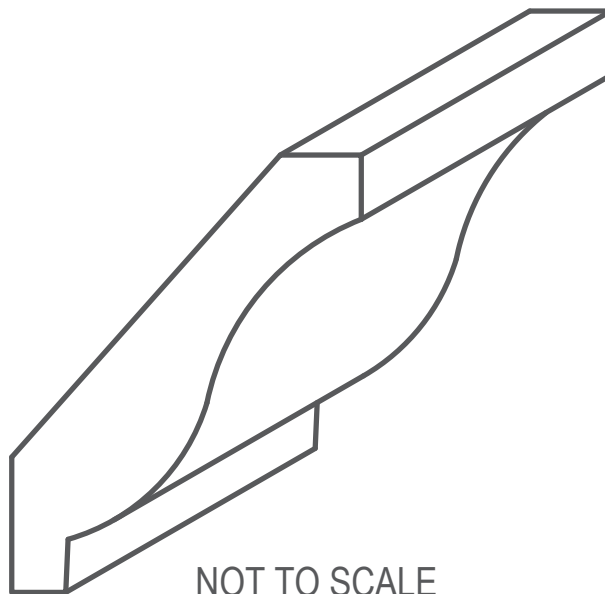


NOT TO SCALE

CROWNS

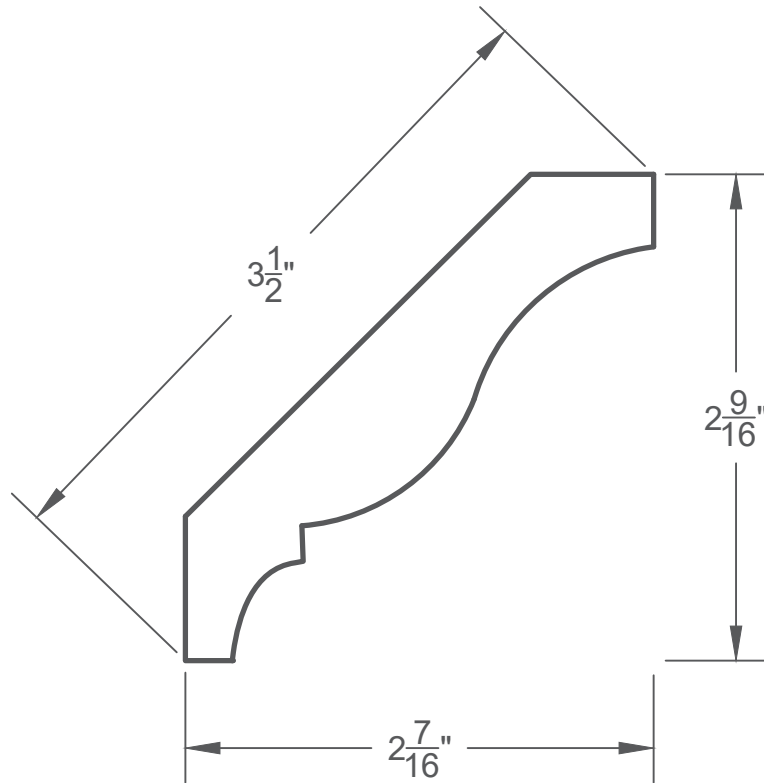


CW 2017 FULL SCALE

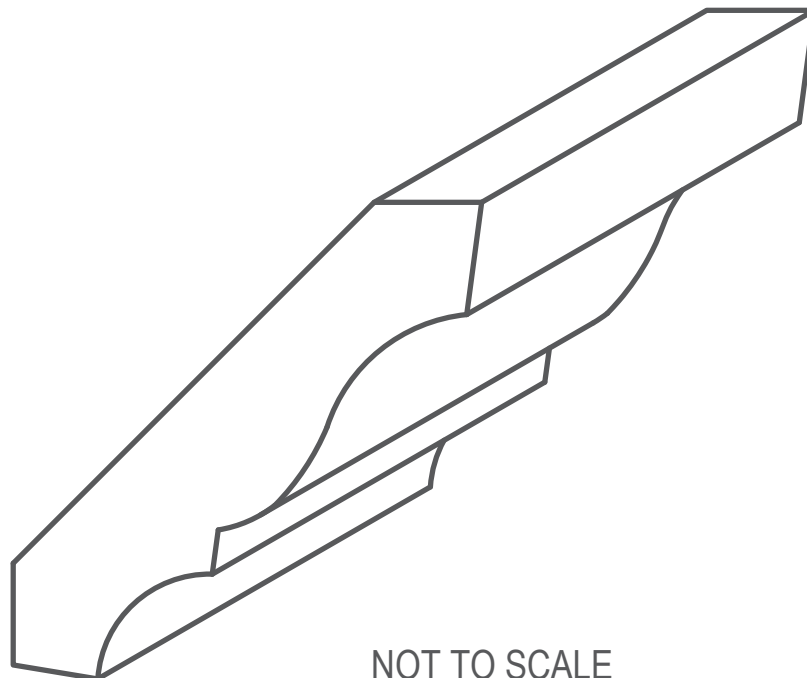


NOT TO SCALE

CROWNS

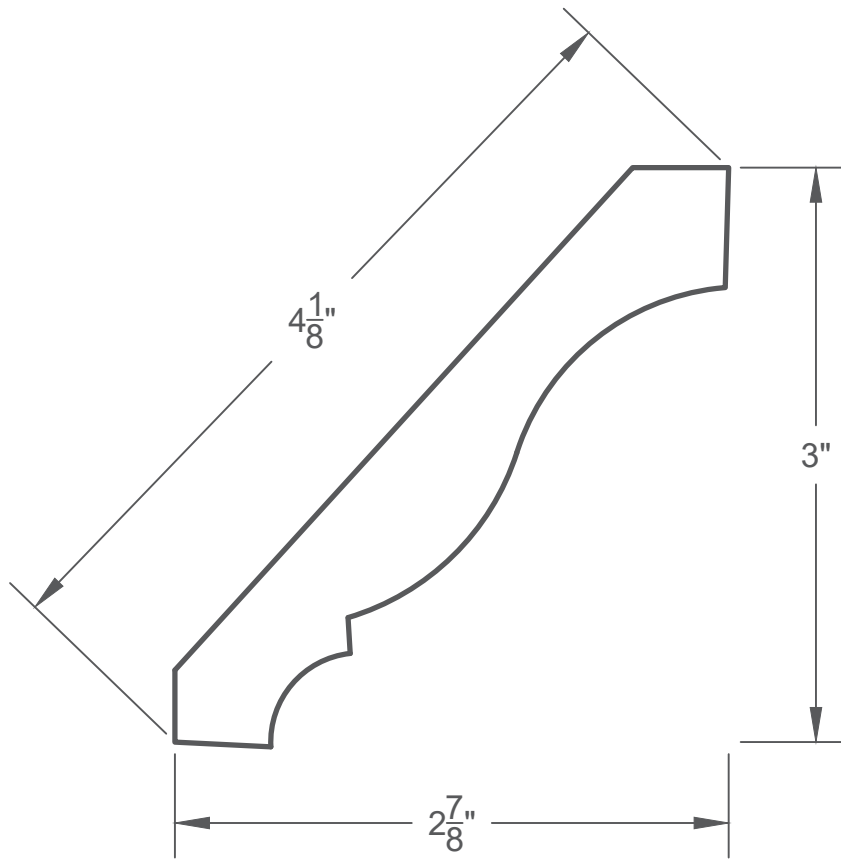


CW 2018 FULL SCALE

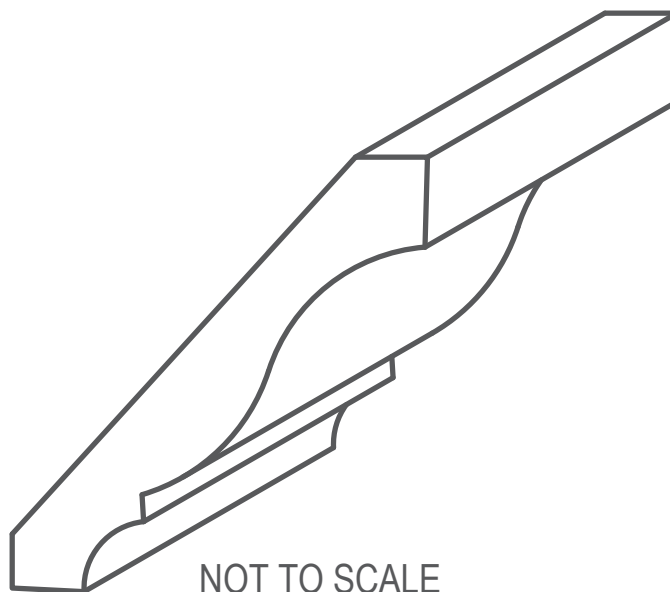


NOT TO SCALE

CROWNS

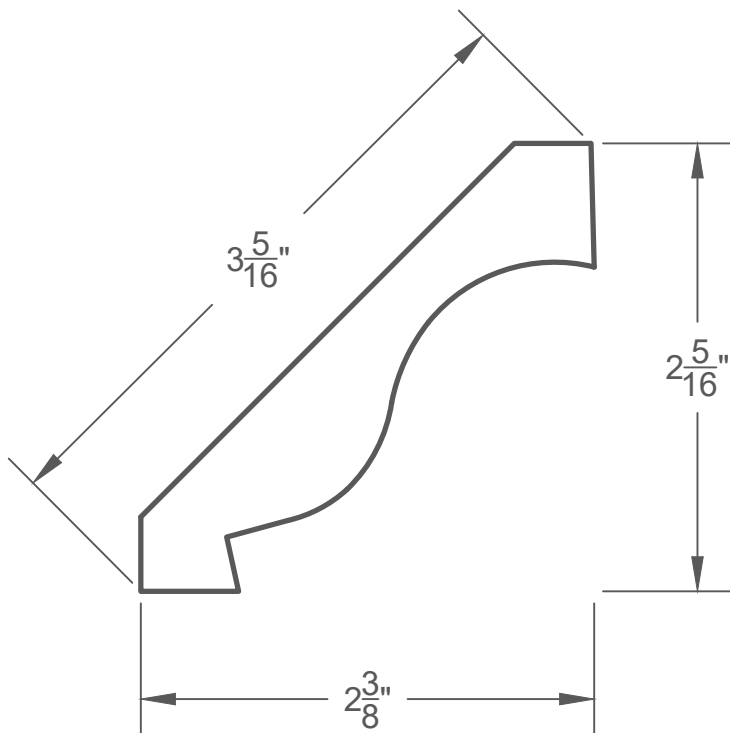


CW 2020 FULL SCALE

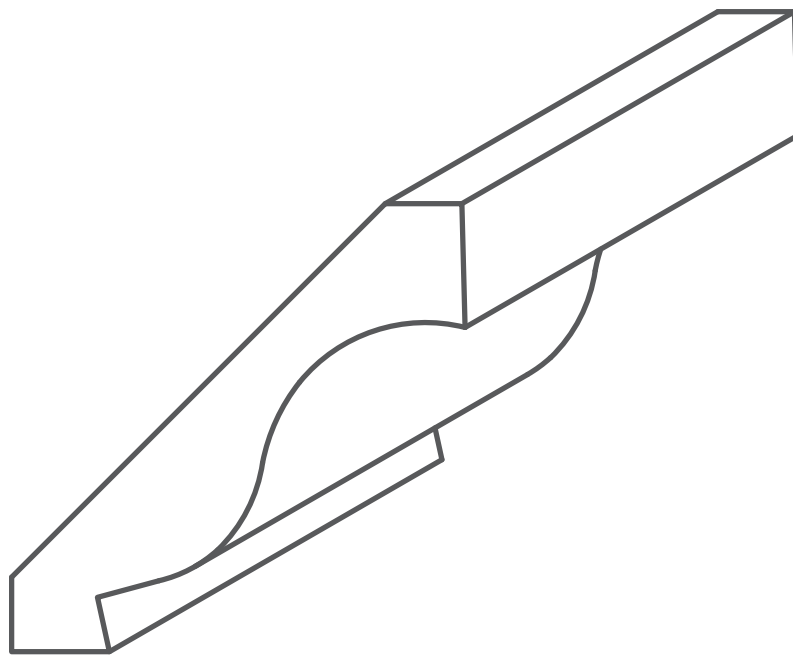


NOT TO SCALE

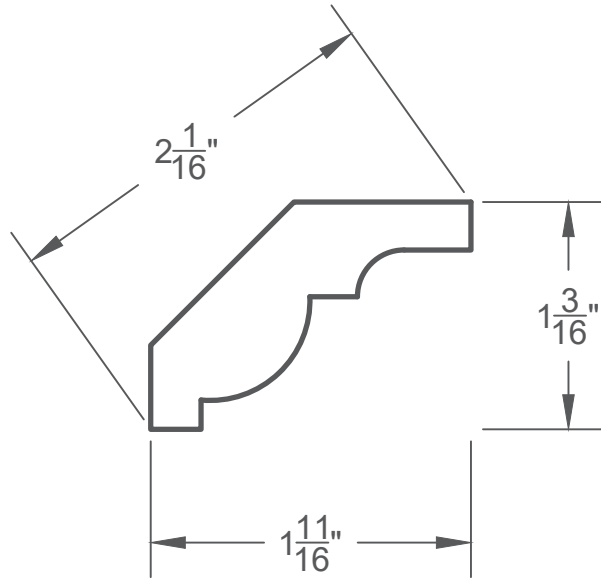
CROWNS



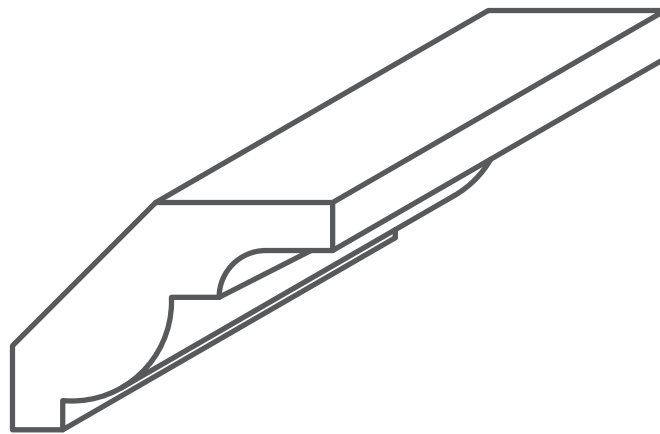
CW 2021 FULL SCALE



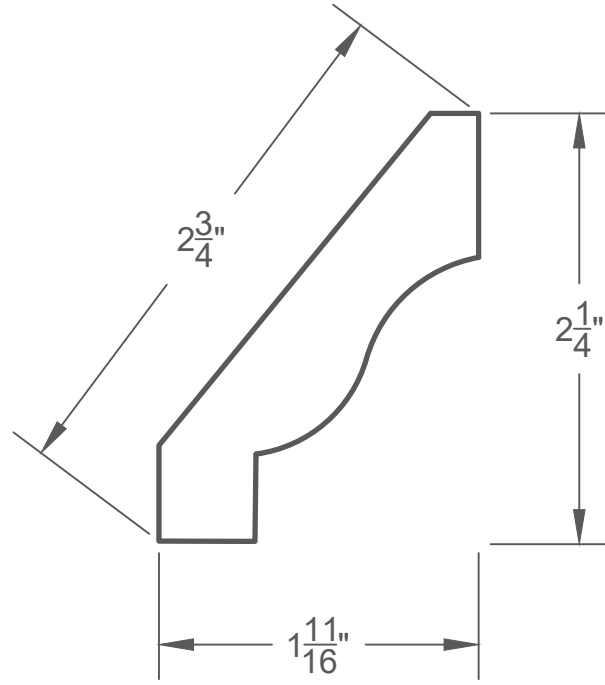
CROWNS



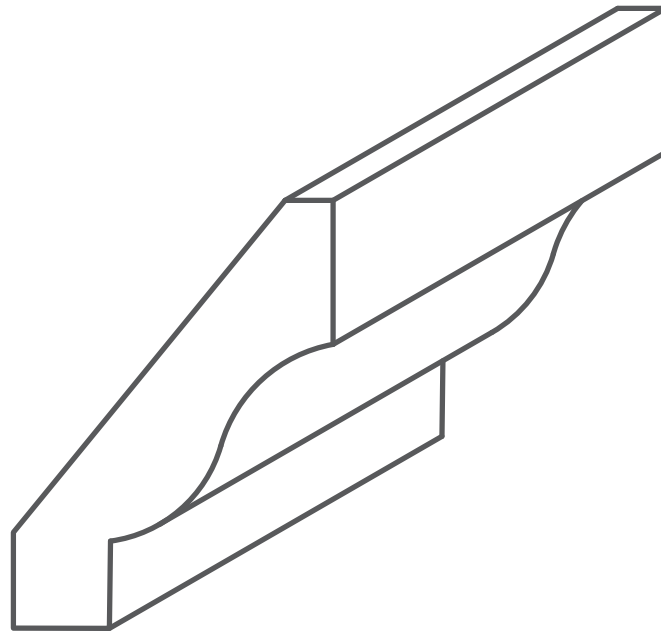
CW 2022 FULL SCALE

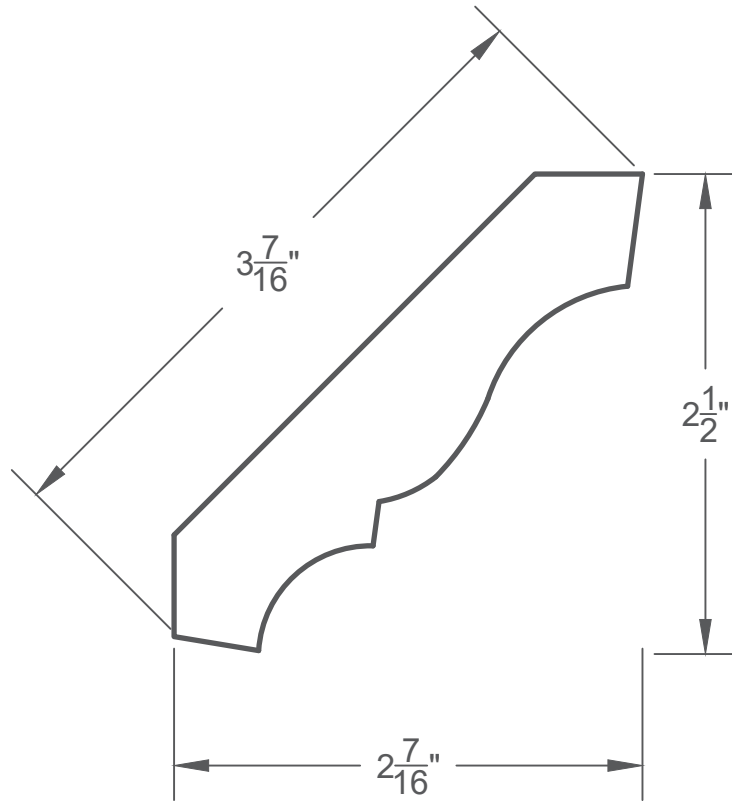


CROWNS

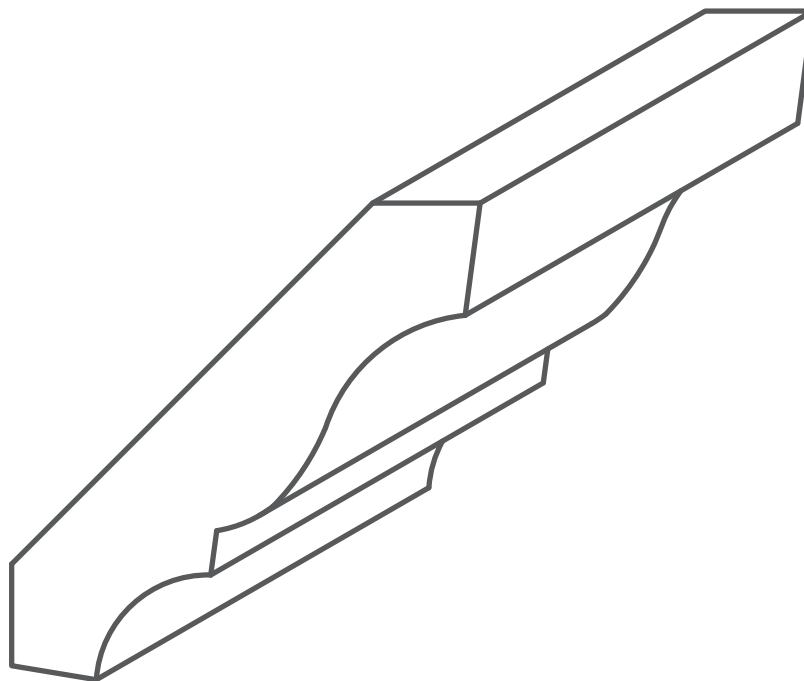


CW 2023 FULL SCALE

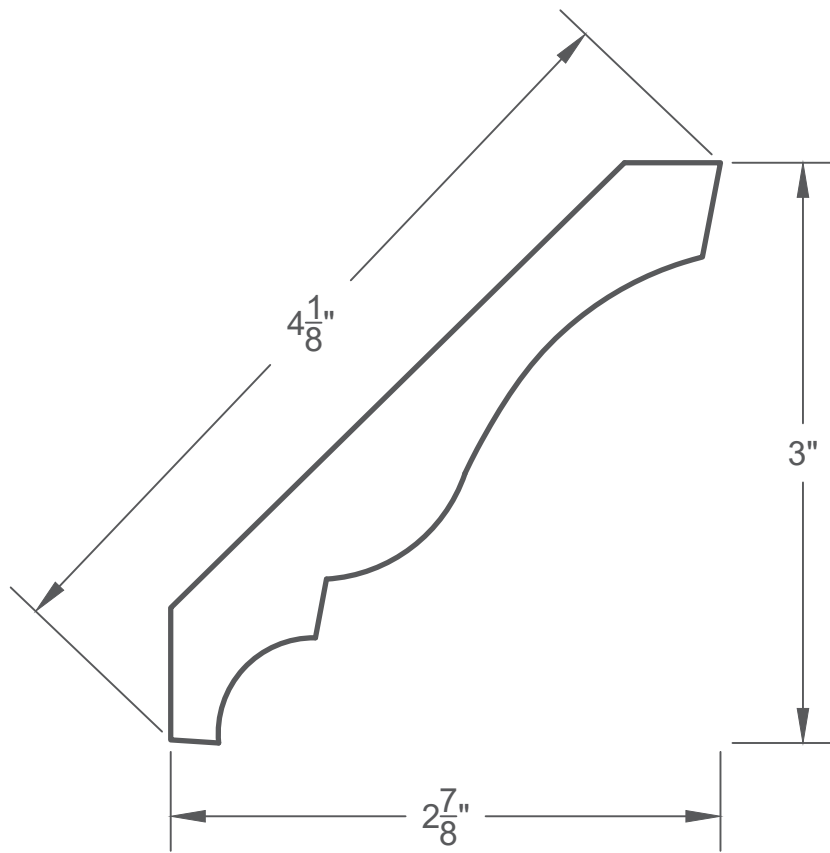




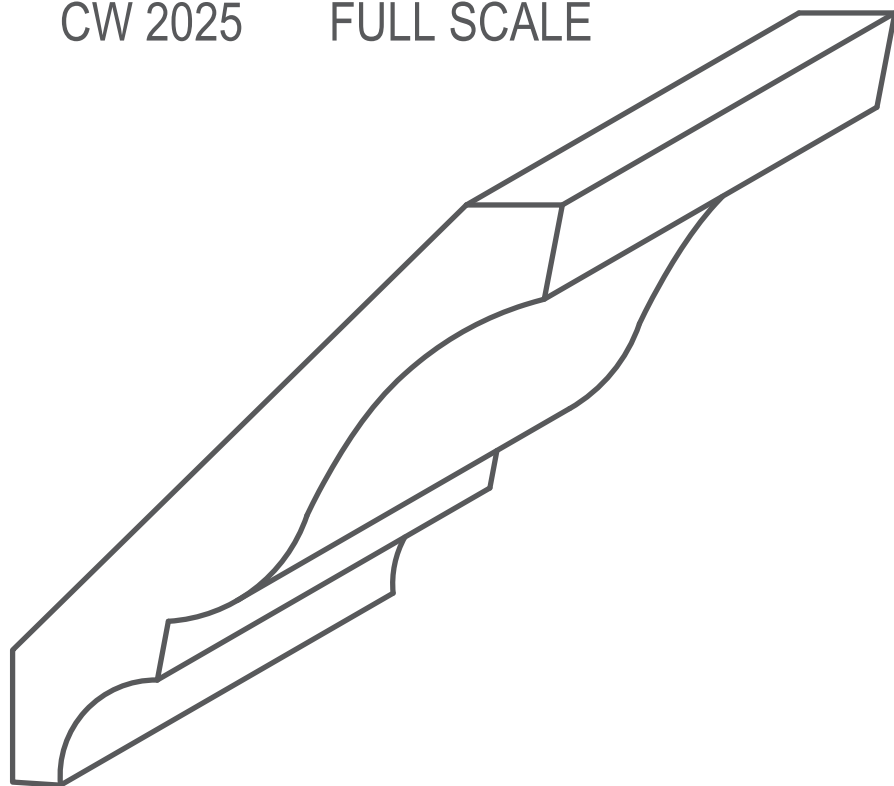
CW 2024 FULL SCALE



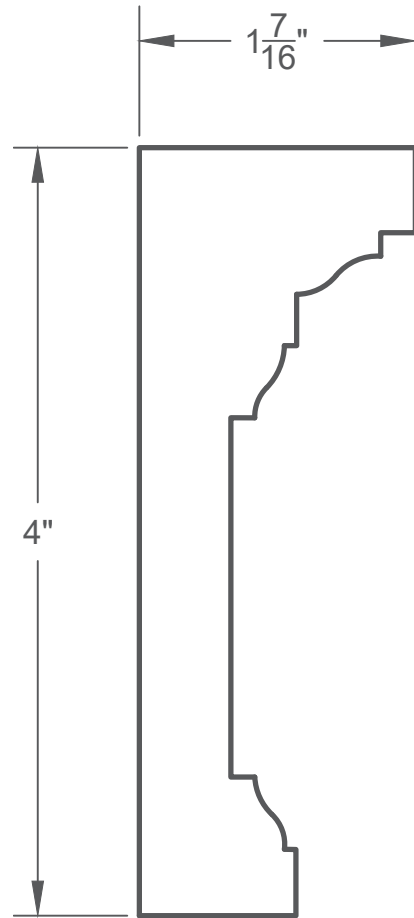
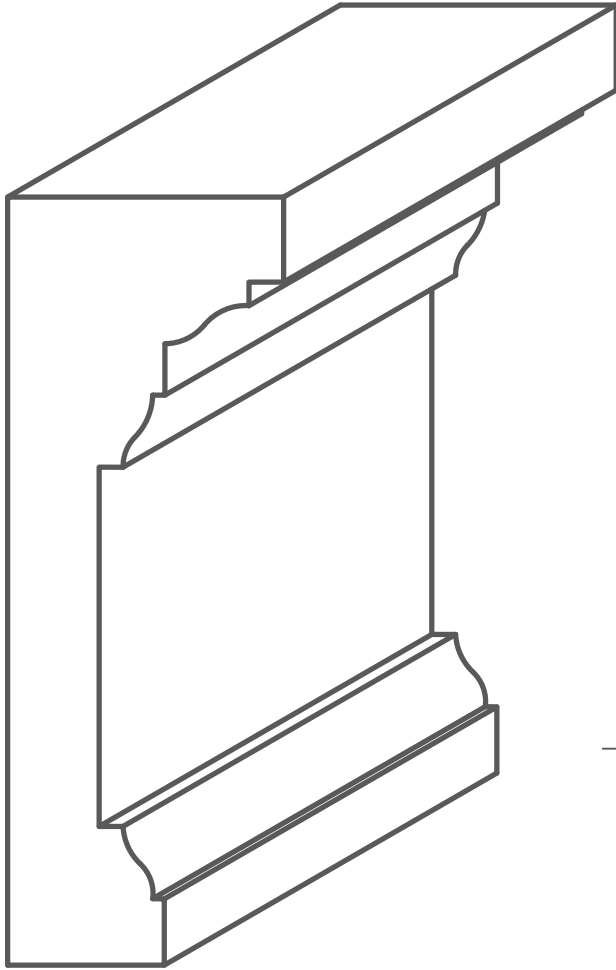
CROWNS



CW 2025 FULL SCALE

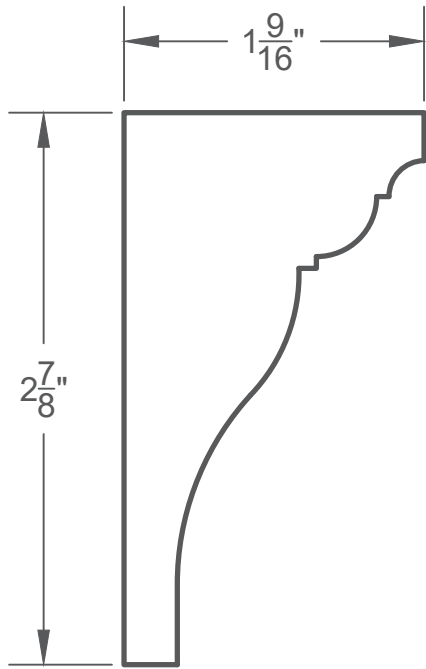


CROWNS

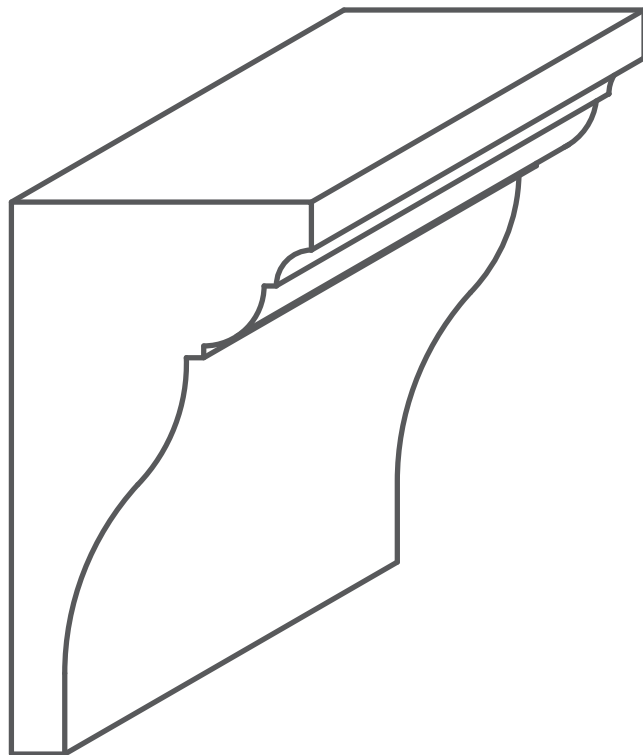


CW 2026 FULL SCALE

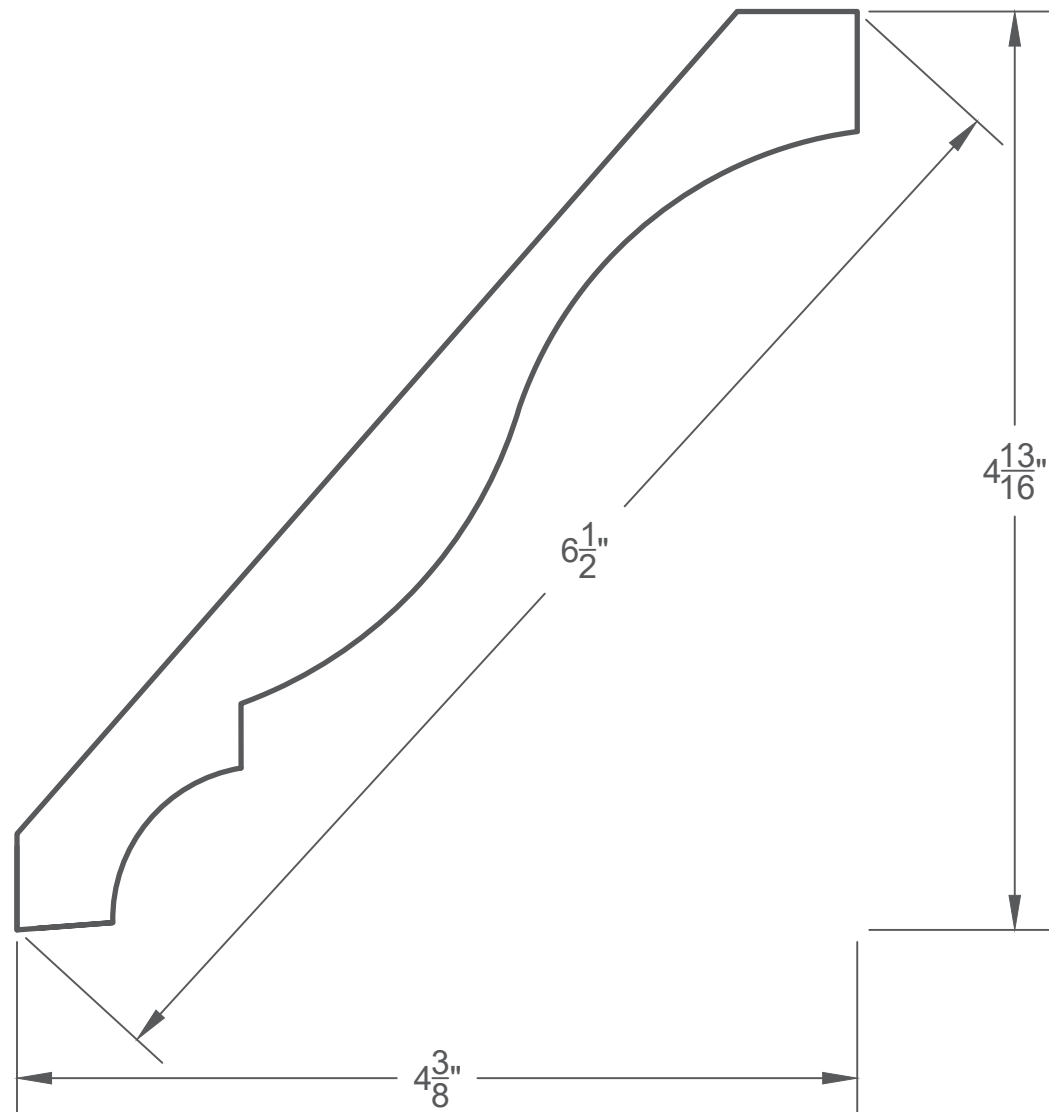
CROWNS



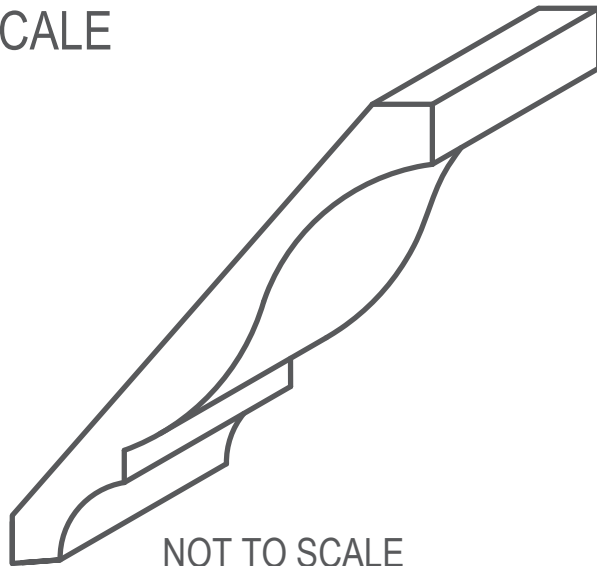
CW 2027 FULL SCALE



CROWNS

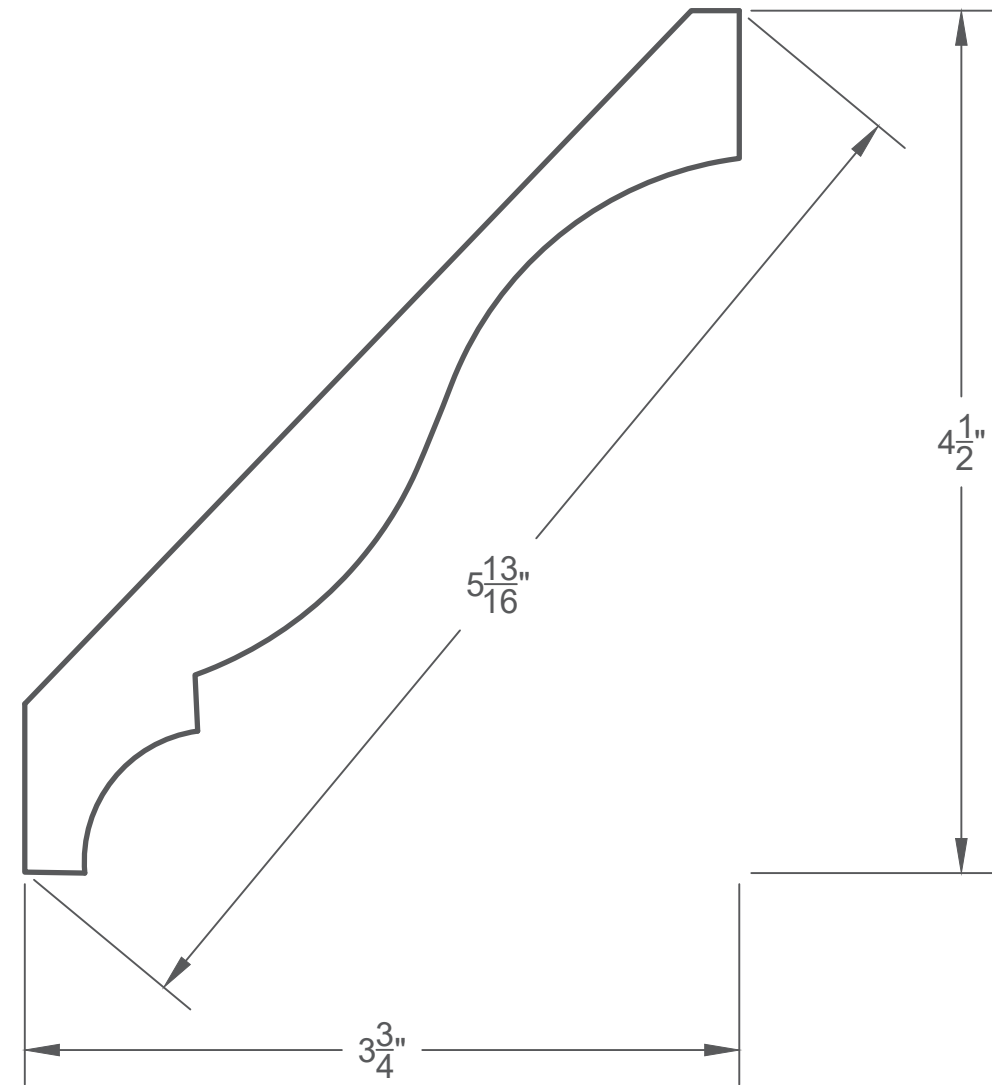


CW 3001 FULL SCALE

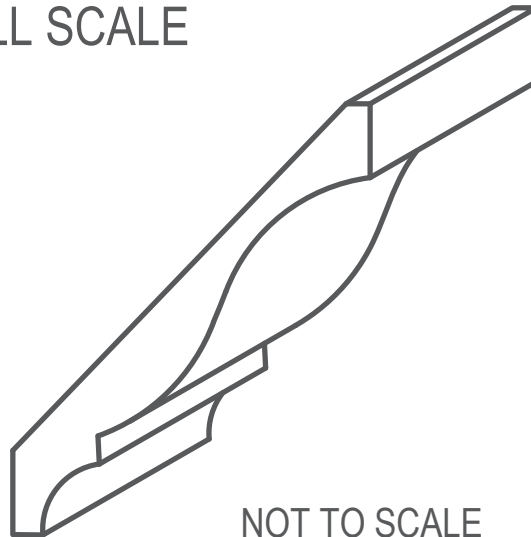


CROWNS

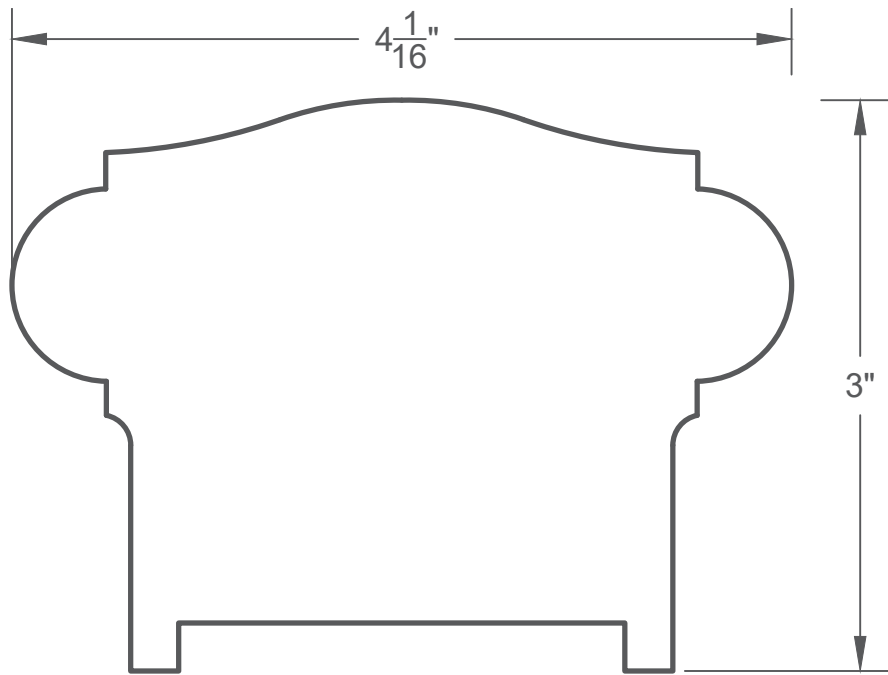
CROWNS



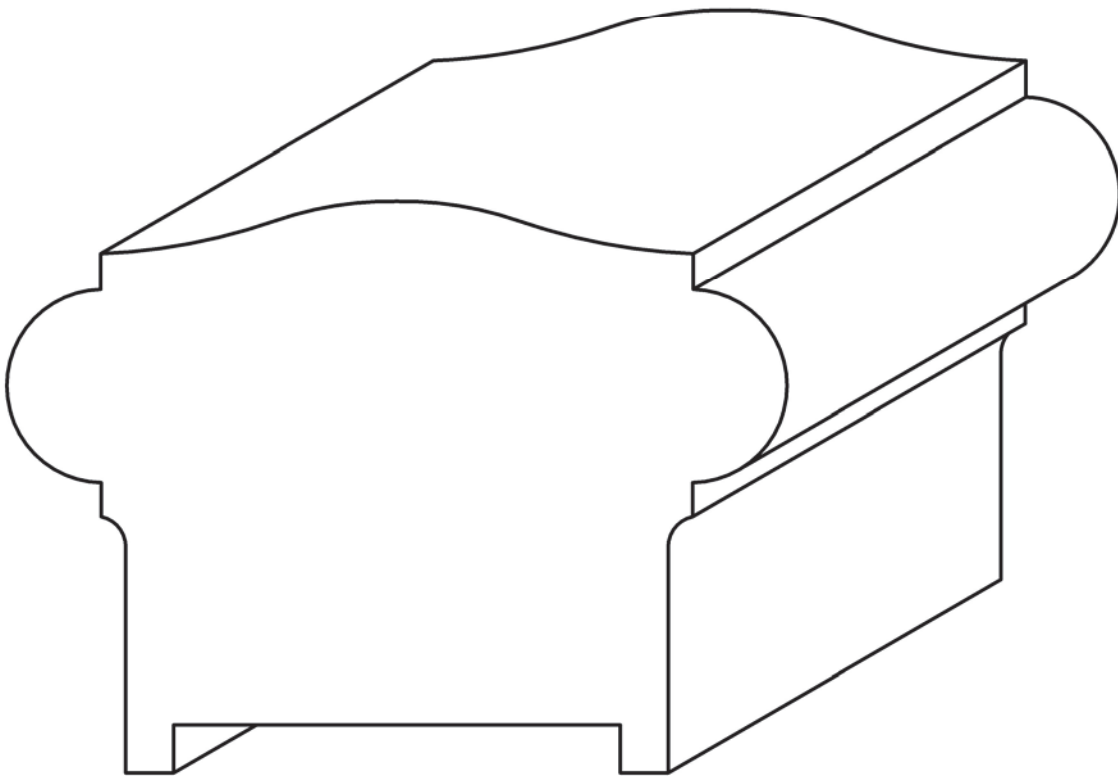
CW 3002 FULL SCALE



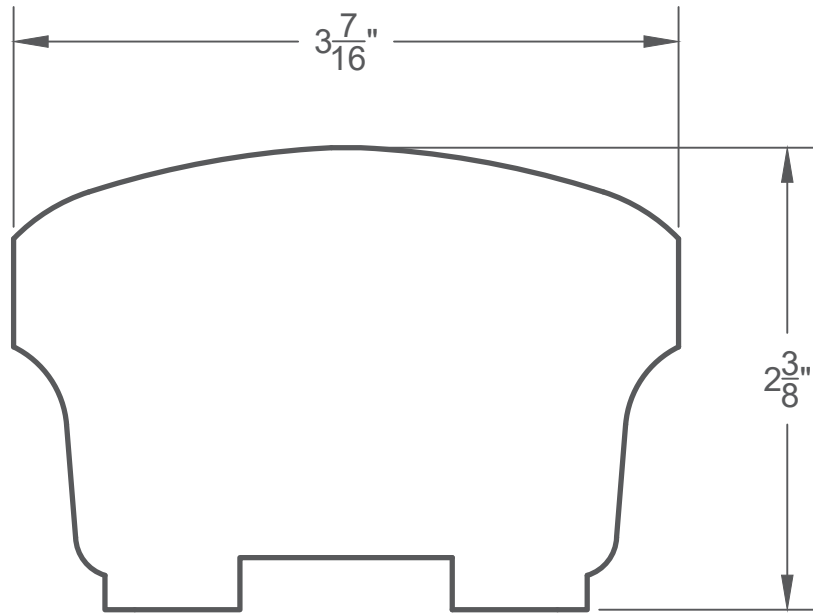
NOT TO SCALE



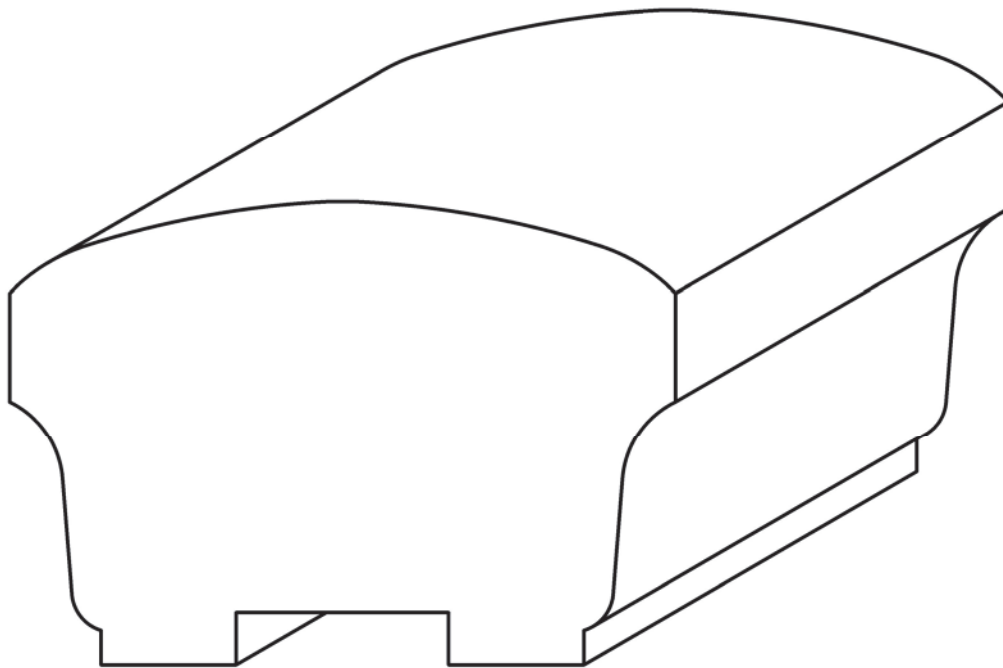
HR 2001 FULL SCALE



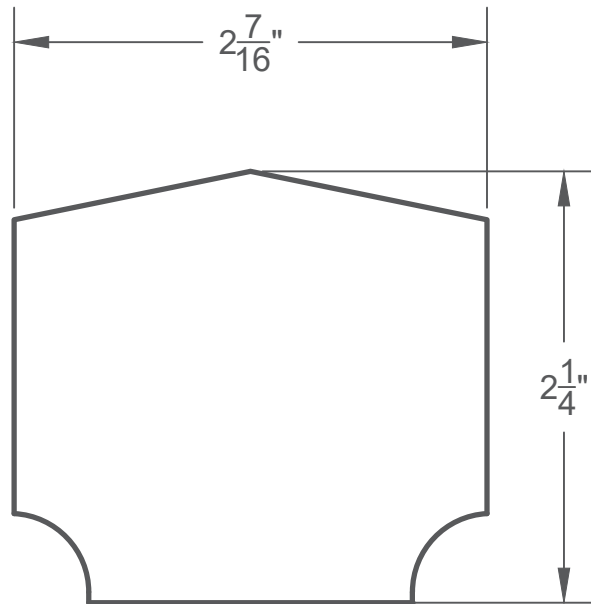
HANDRAILS



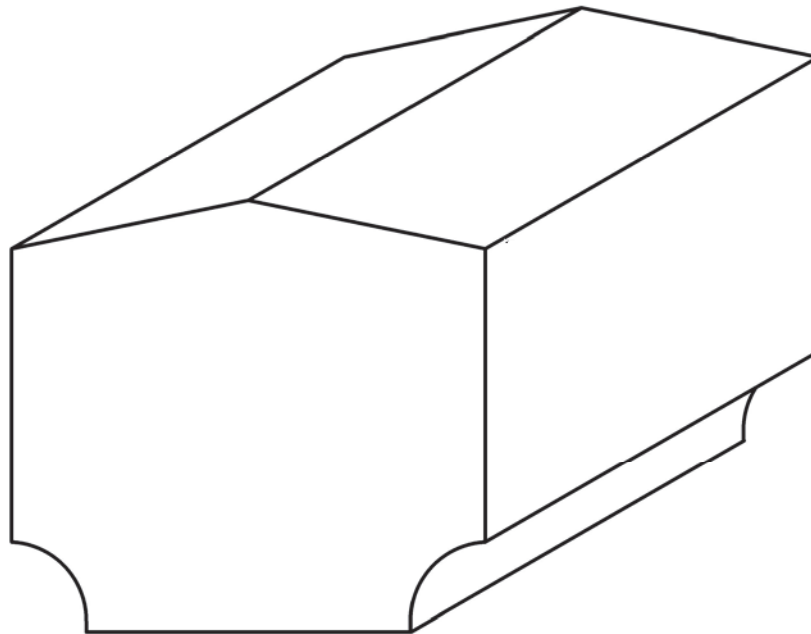
HR 2002 FULL SCALE



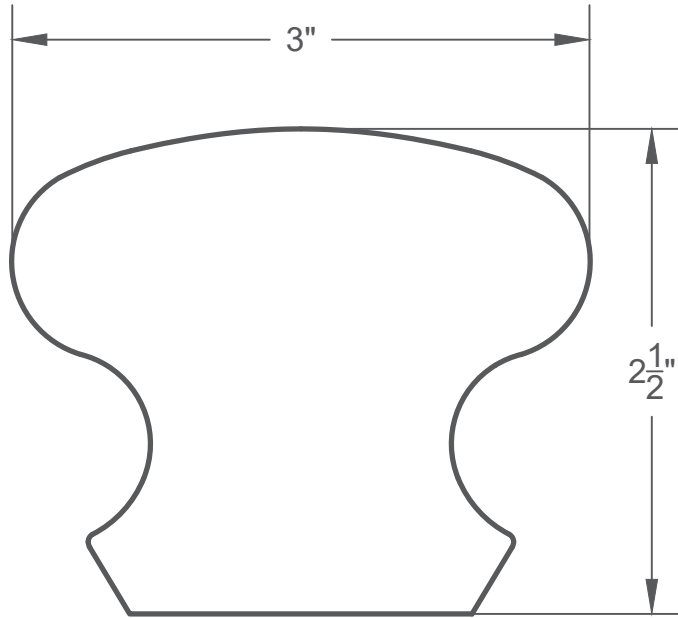
HANDRAILS



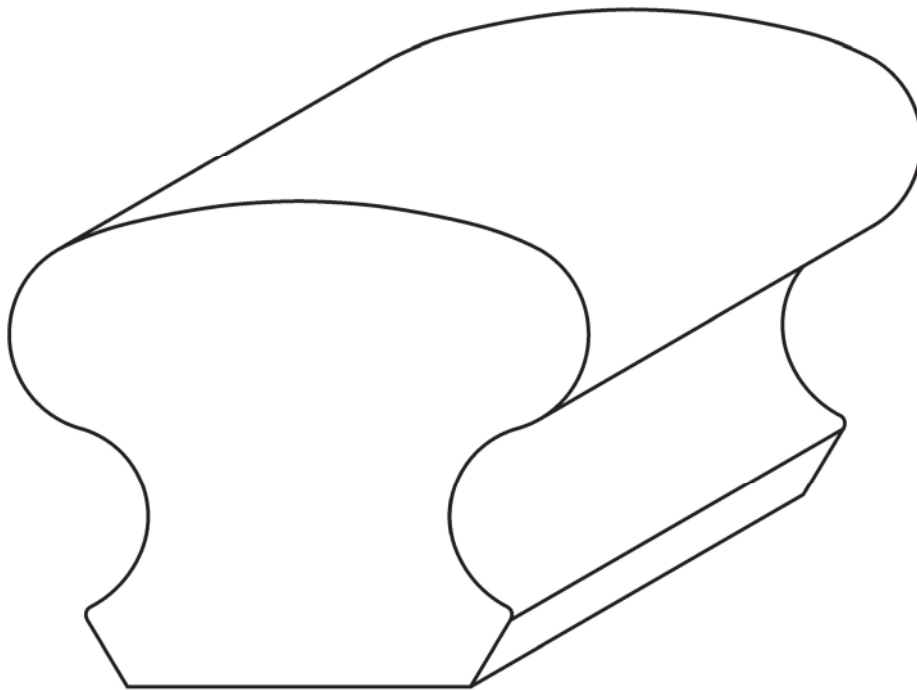
HR 2003 FULL SCALE



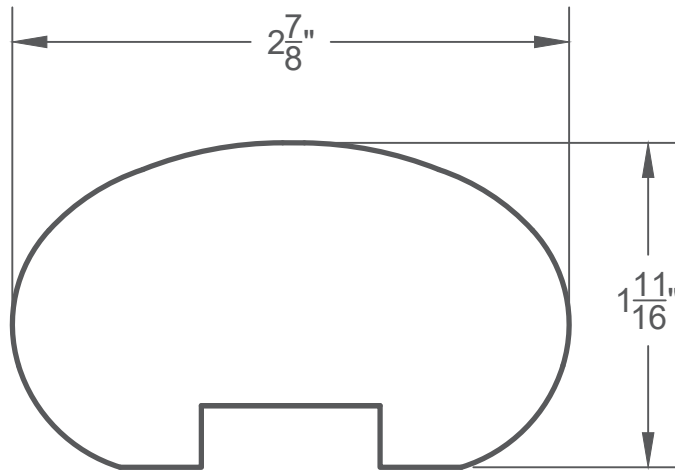
HANDRAILS



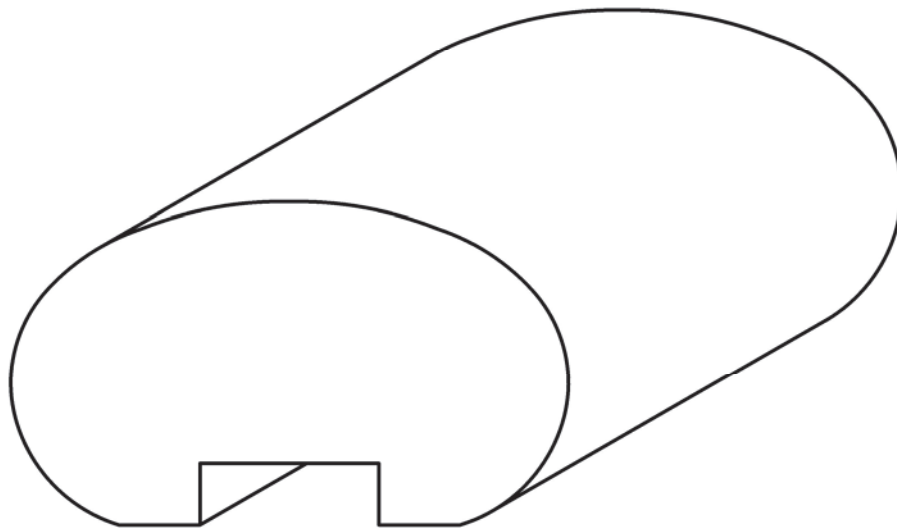
HR 2005 FULL SCALE



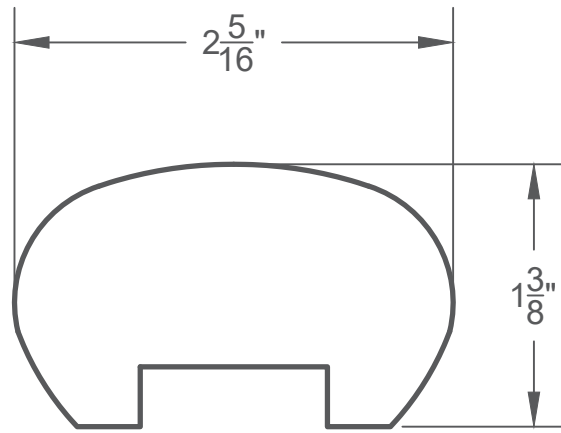
HANDRAILS



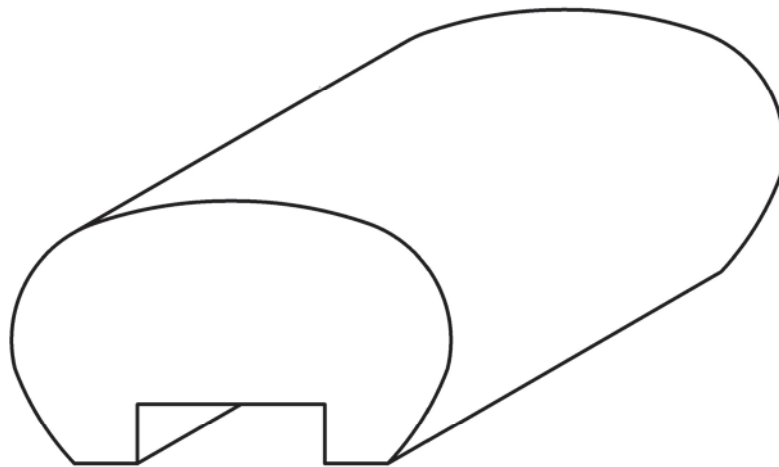
HR 2004 FULL SCALE



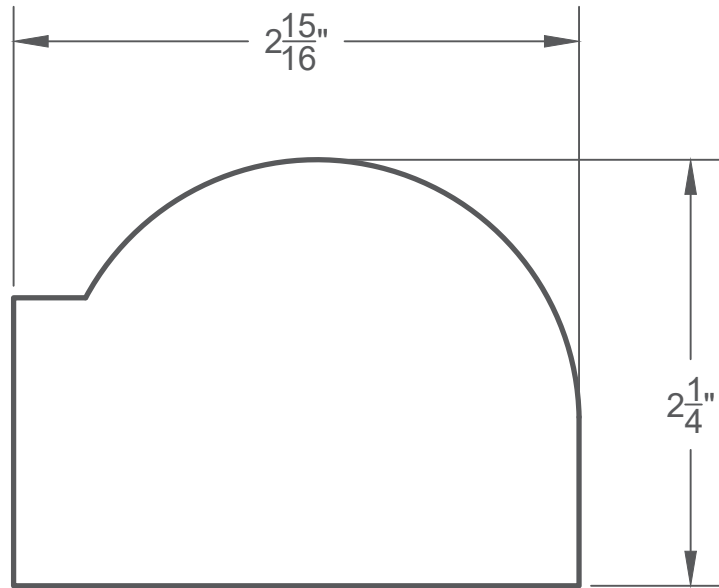
HANDRAILS



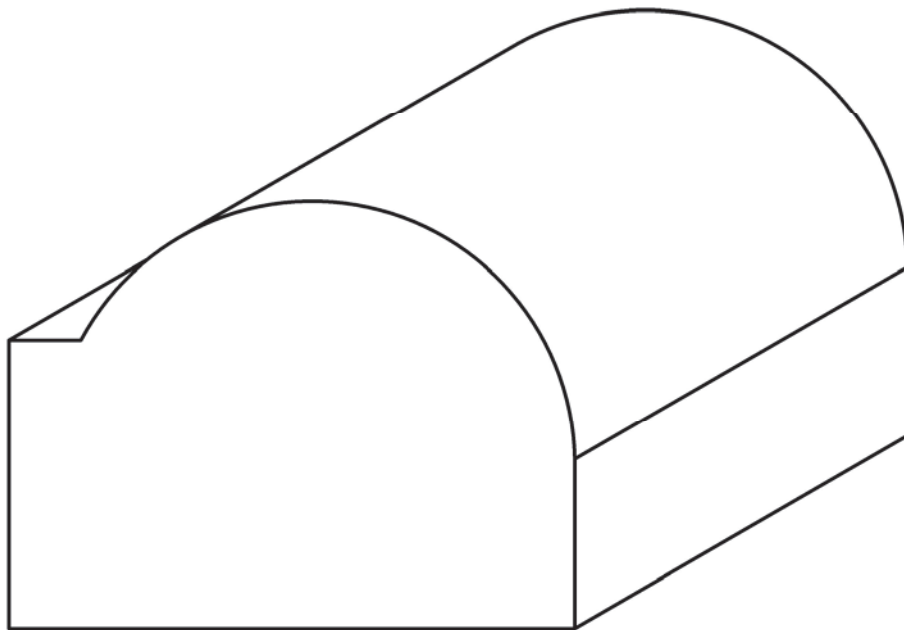
HR 2006 FULL SCALE



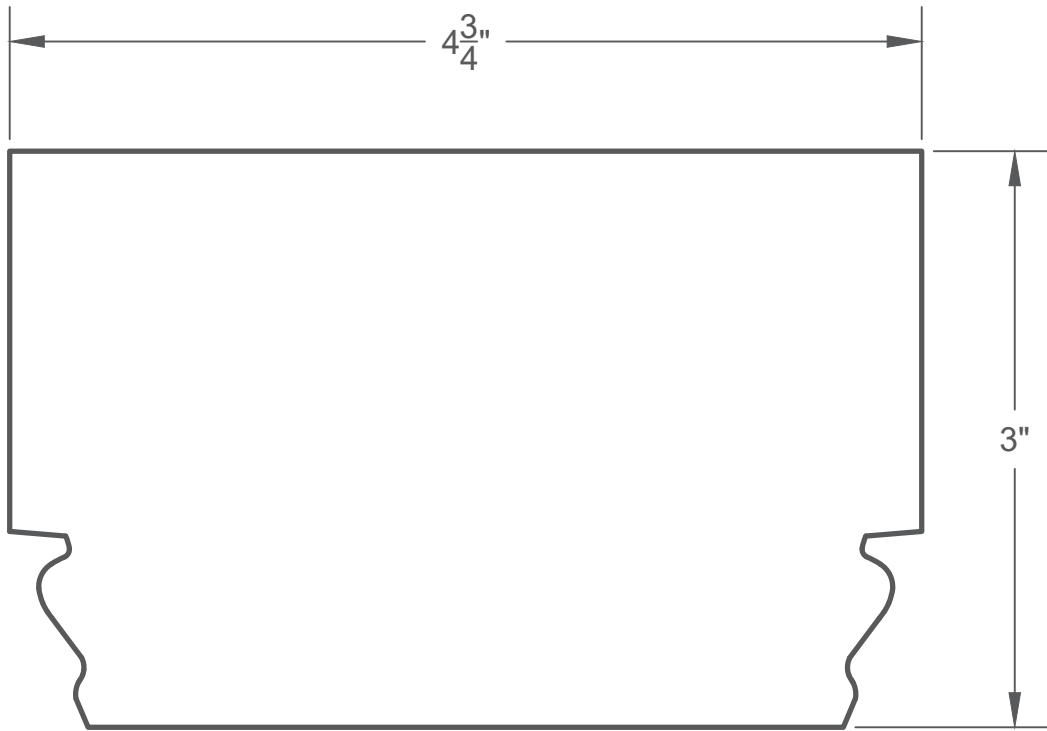
HANDRAILS



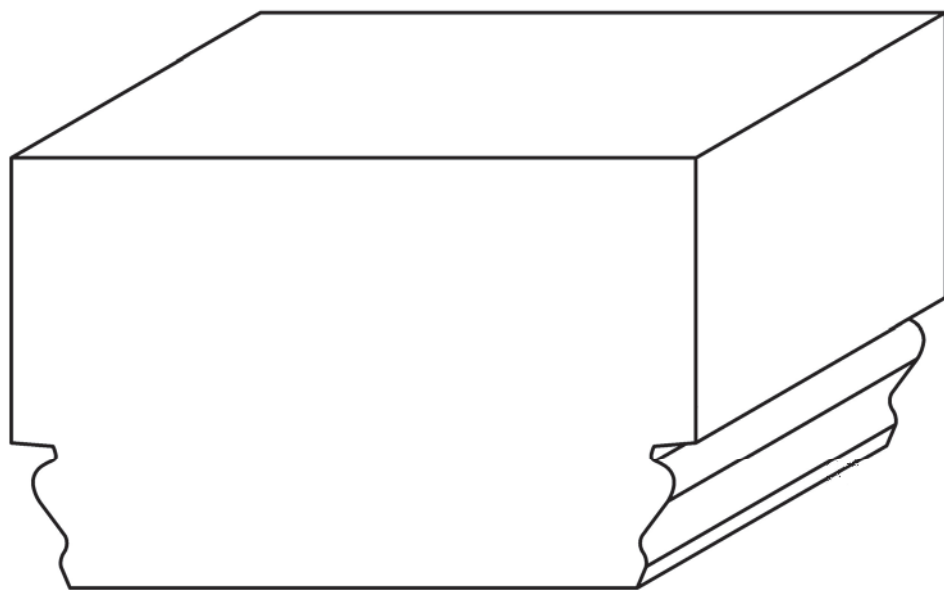
HR 2012 FULL SCALE



HANDRAILS

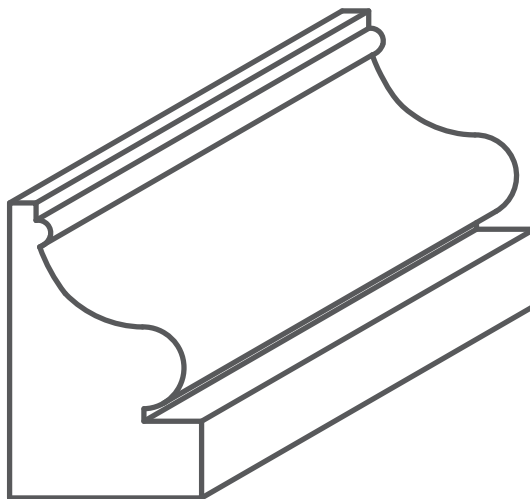
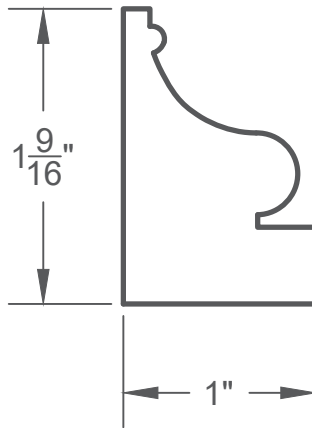


HR 2013 FULL SCALE



NOT TO SCALE

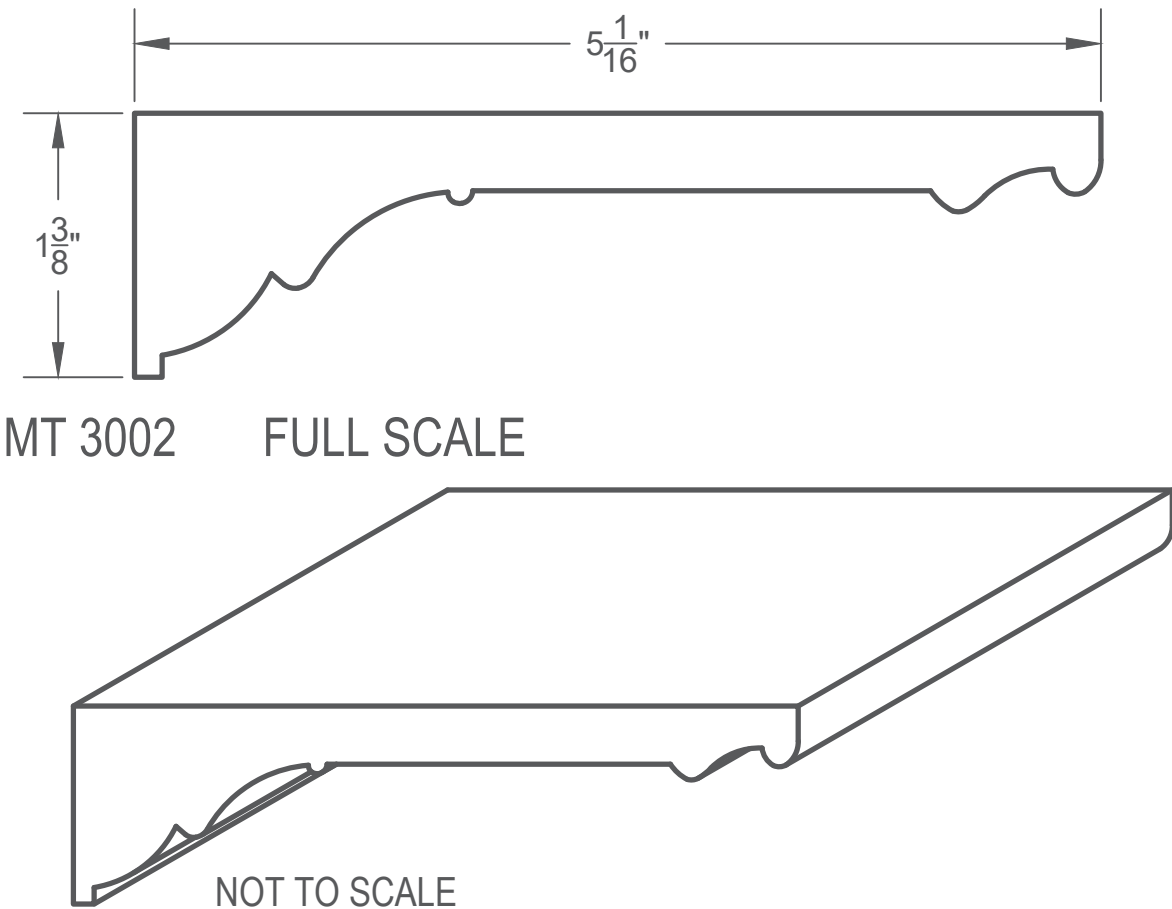
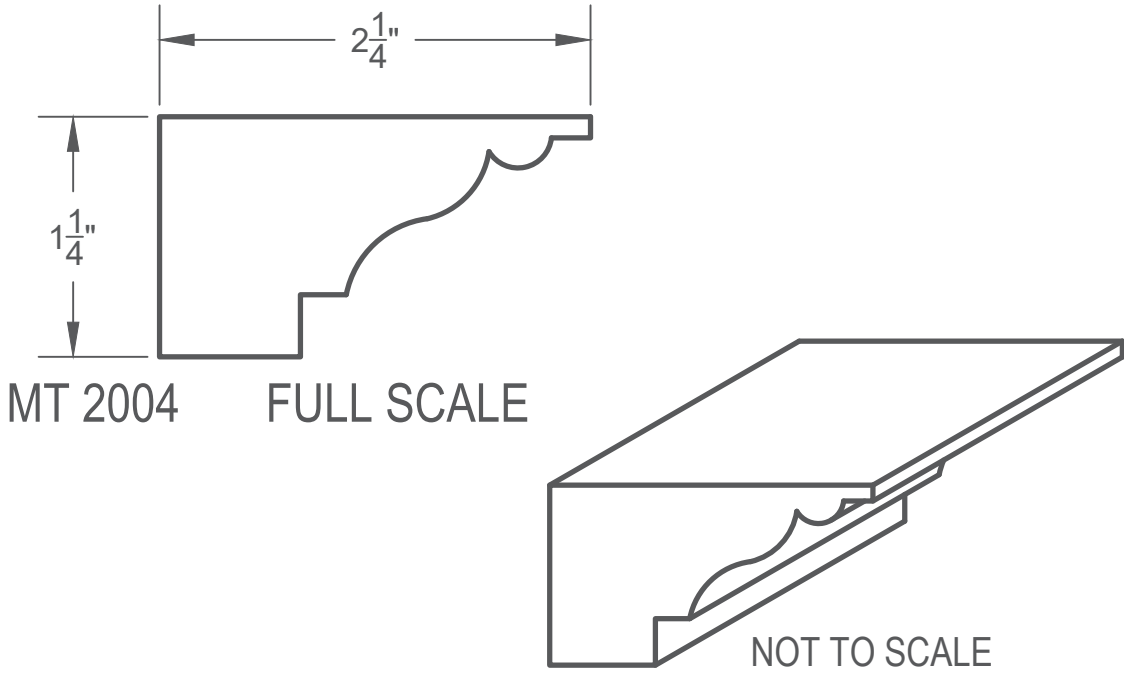
HANDRAILS

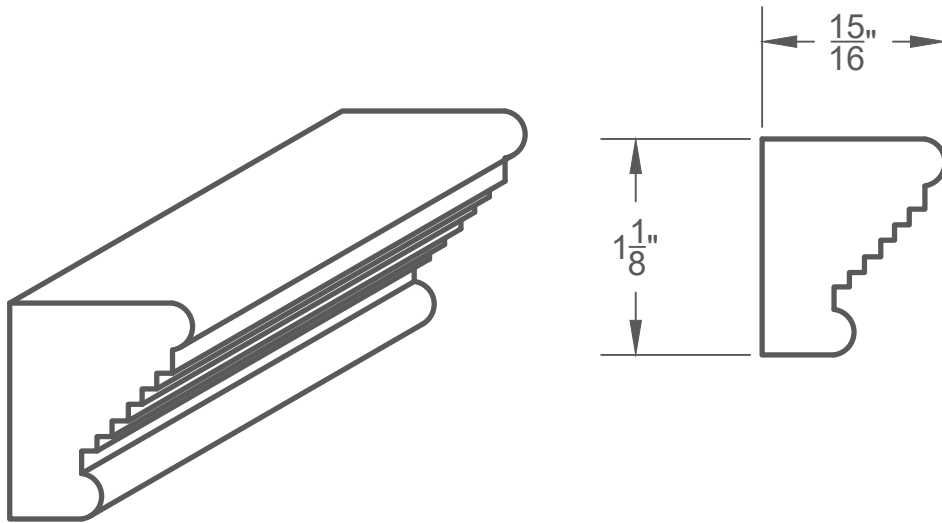


MT 1002 FULL SCALE

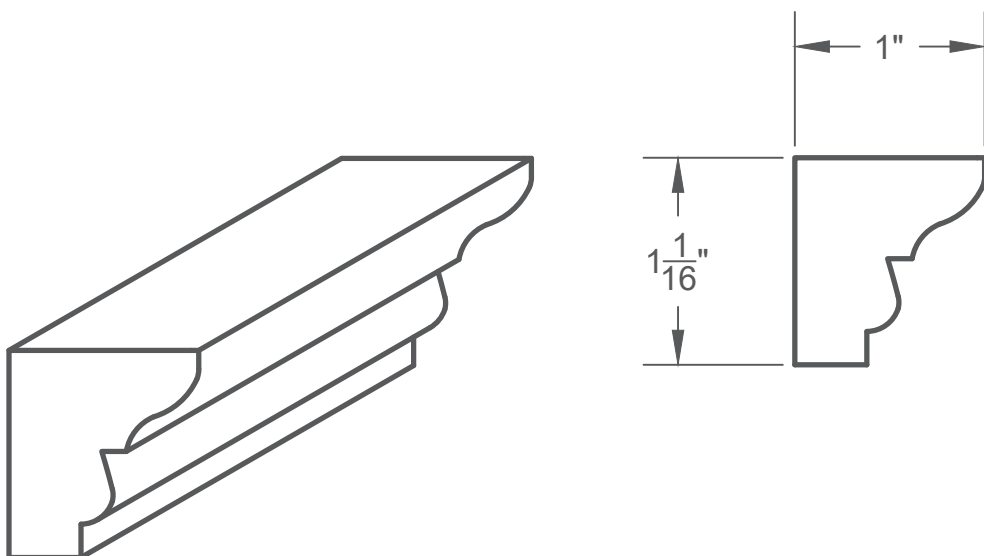
MANTTLES

MANLTLES



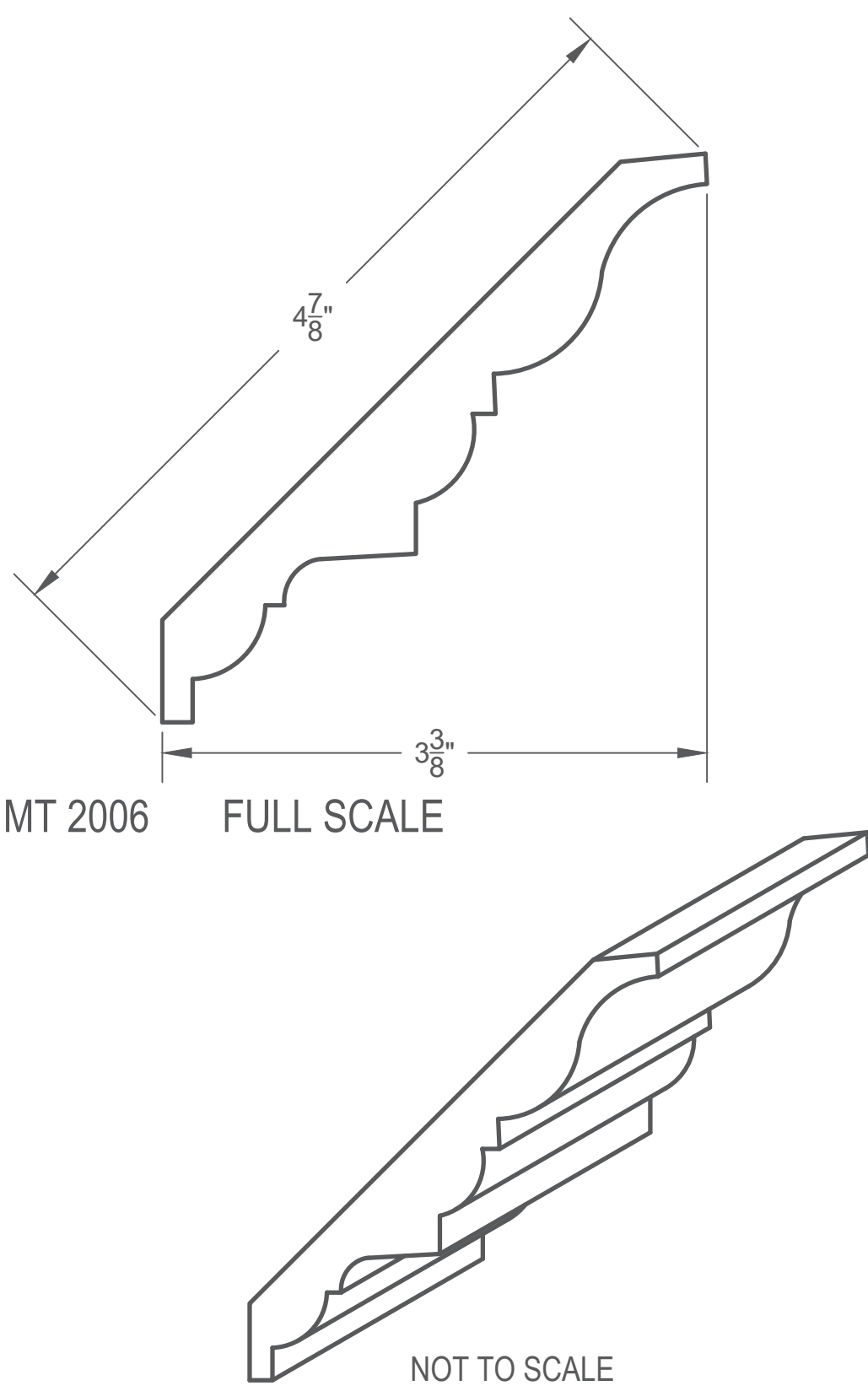


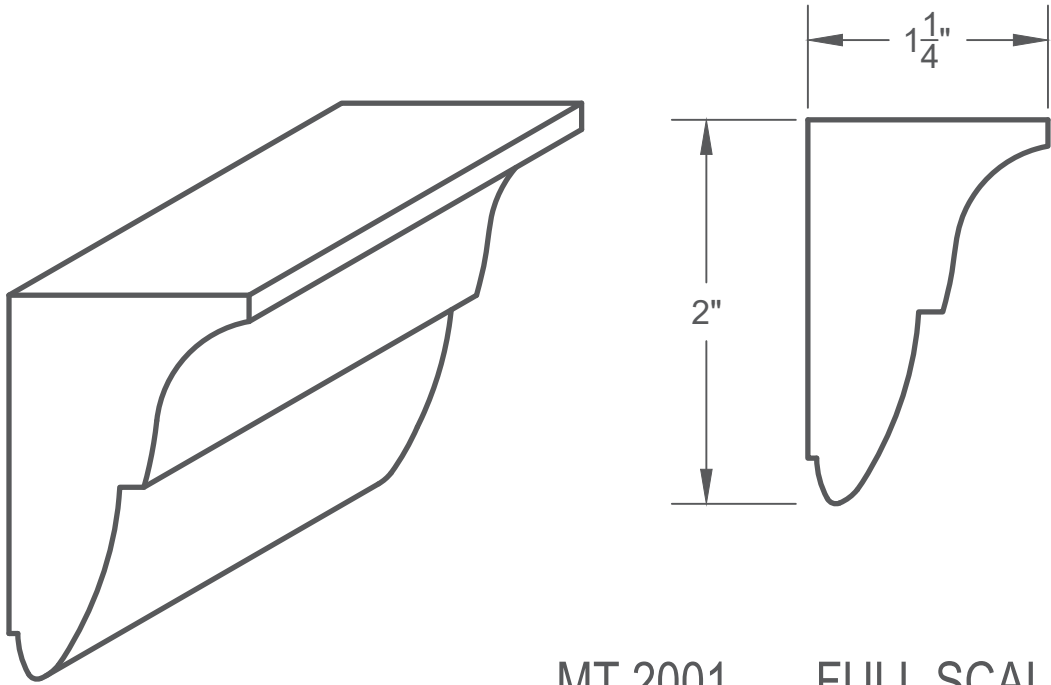
MT 1003 FULL SCALE



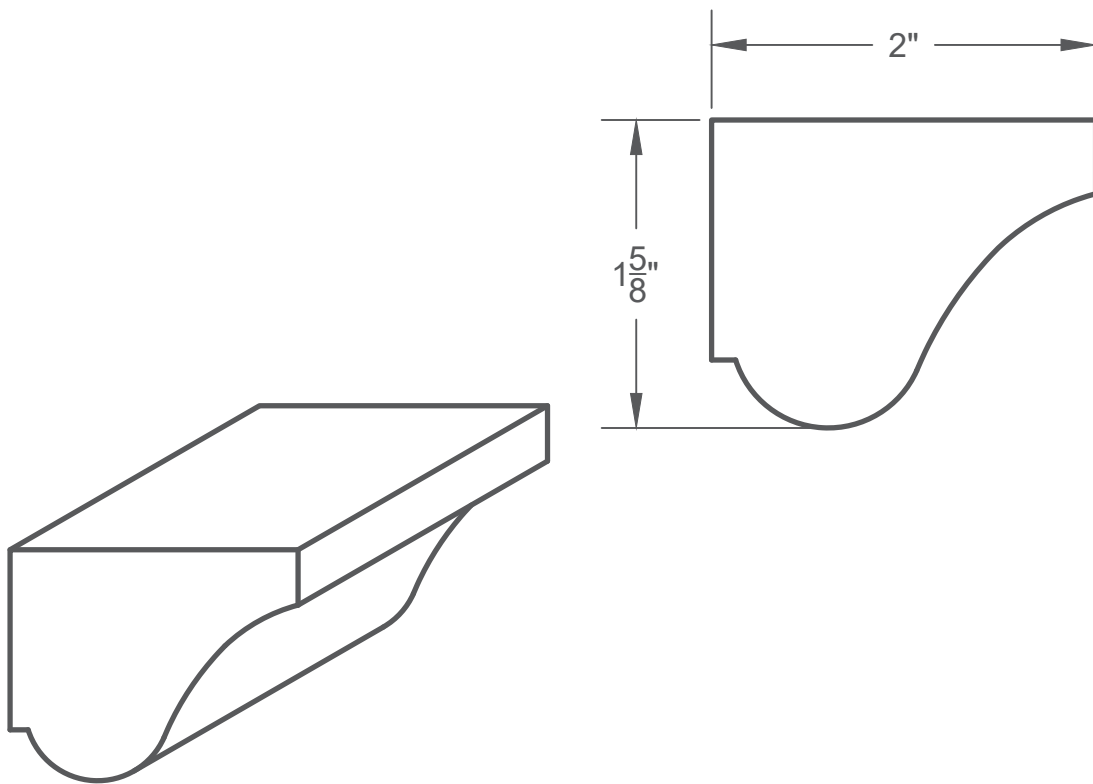
MT1004 FULL SCALE

MANLTLES



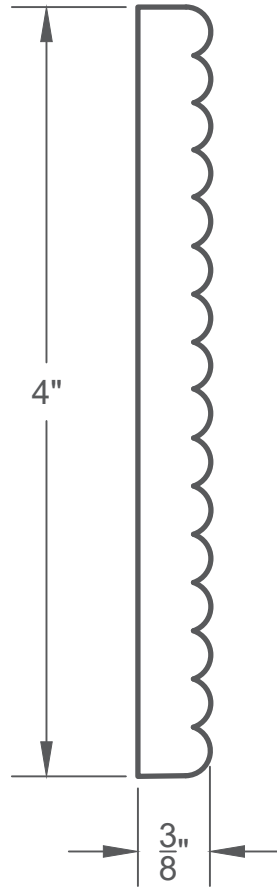


MT 2001 FULL SCALE

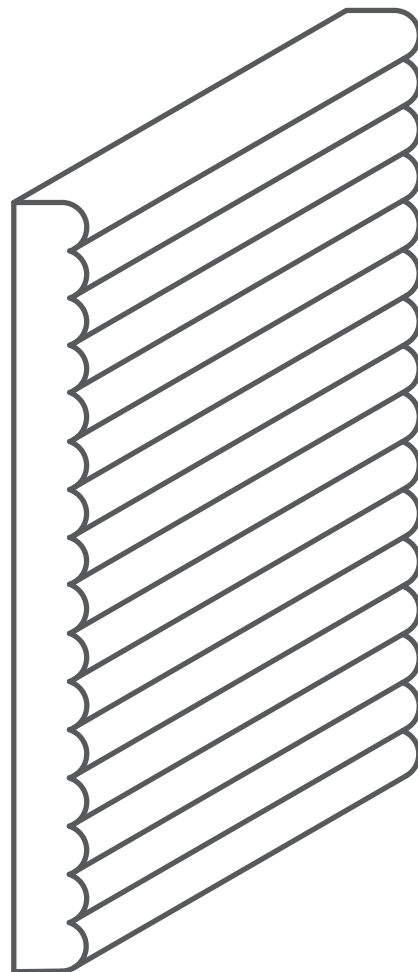


NOT TO SCALE

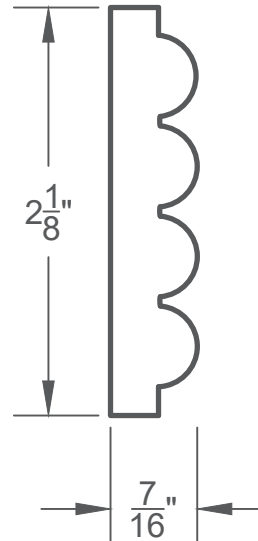
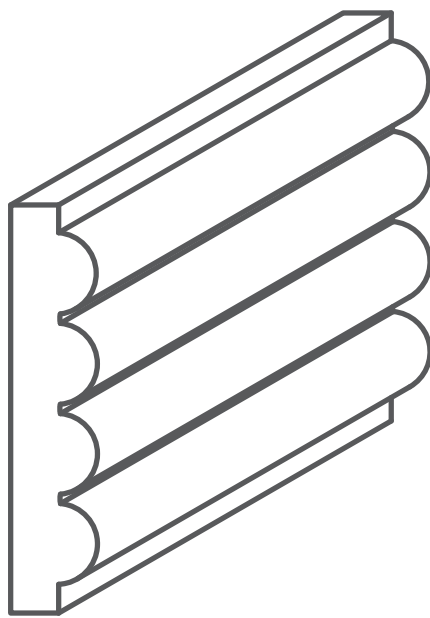
MT 2003 FULL SCALE



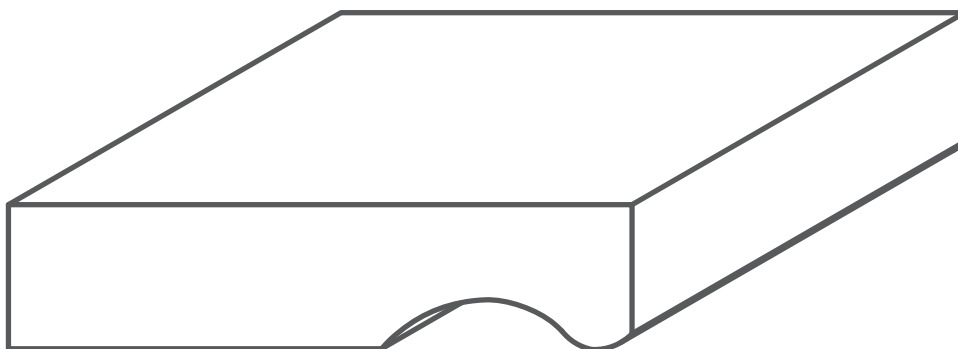
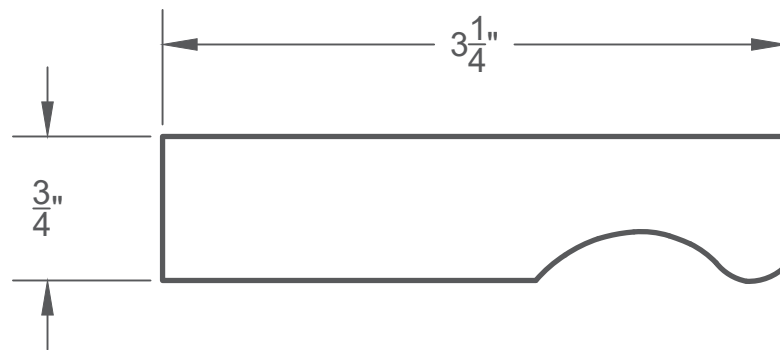
MT 2002 FULL SCALE



MANLTLES



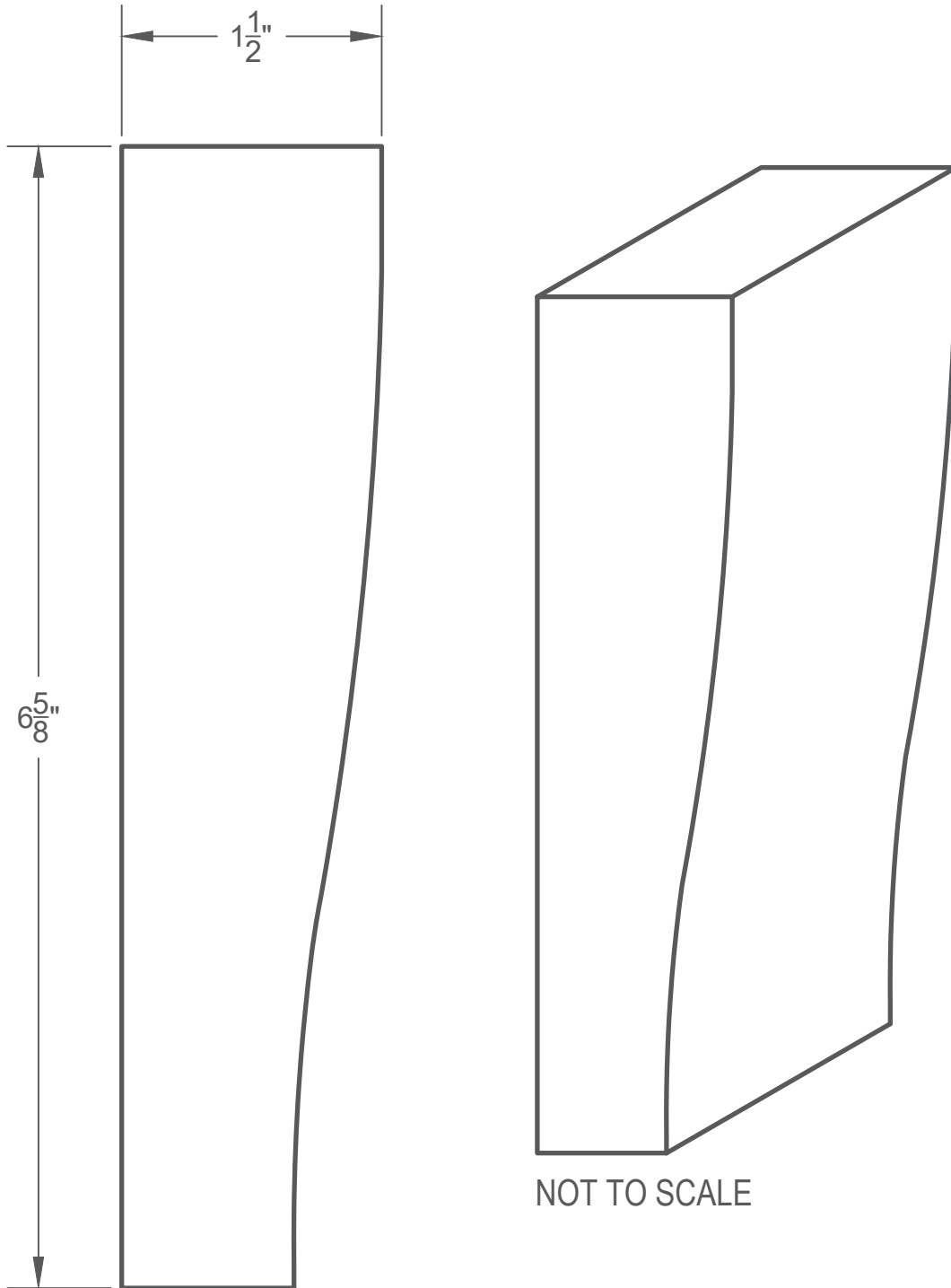
MT 2005 FULL SCALE



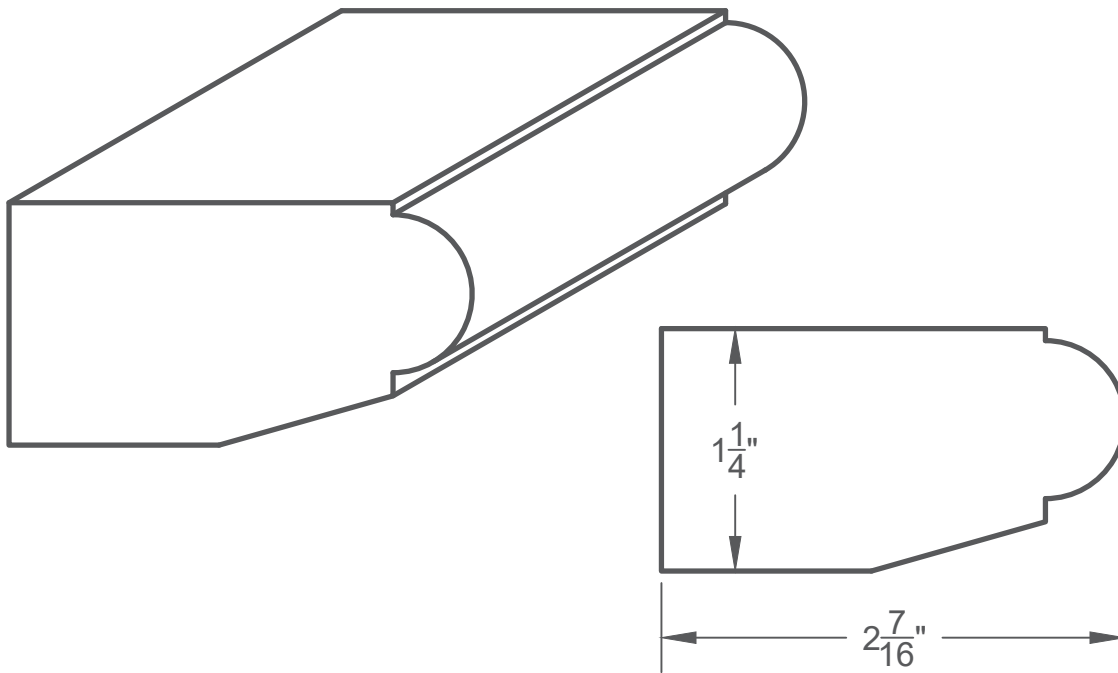
MT 2007 FULL SCALE

MANTLES

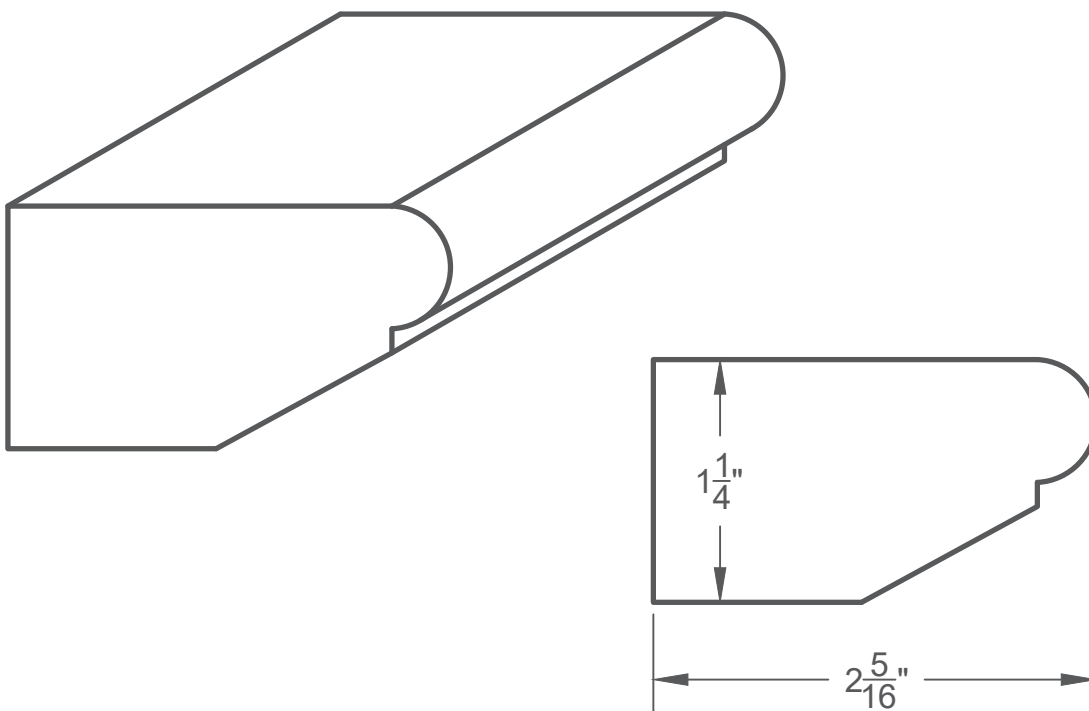
MANTLES



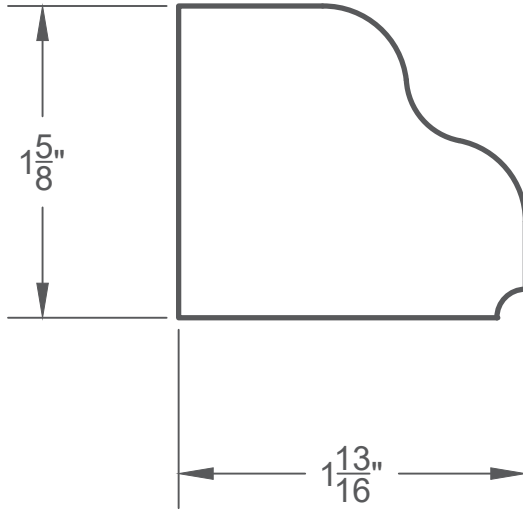
MT 3001 FULL SCALE



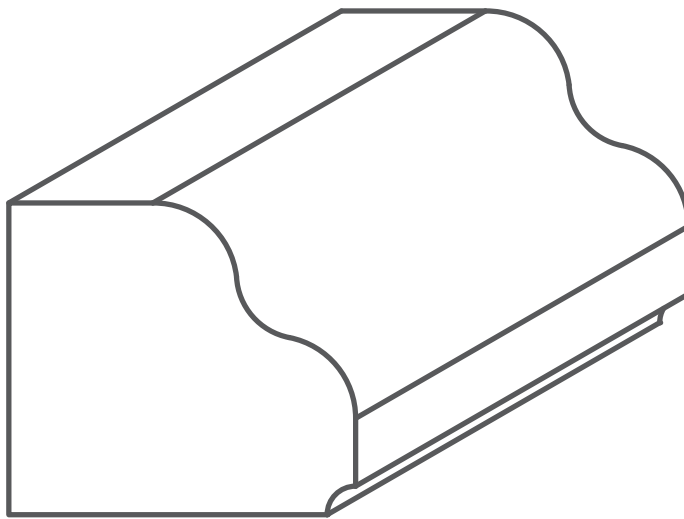
NO 1001 FULL SCALE

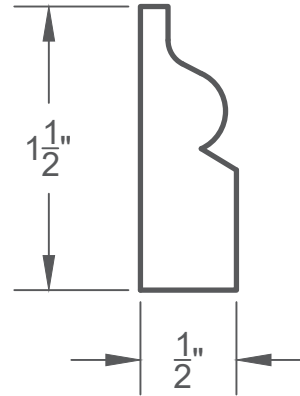
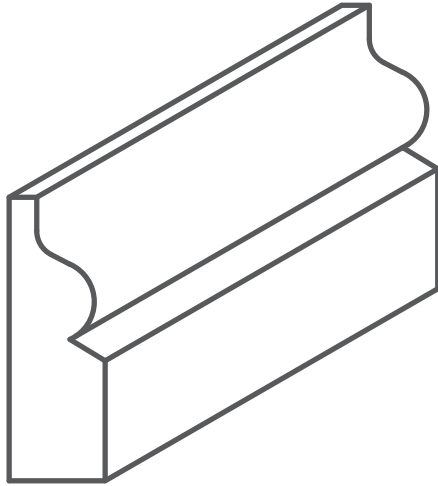


NO 1002 FULL SCALE

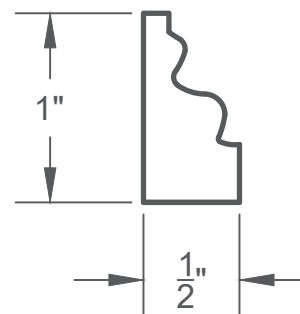
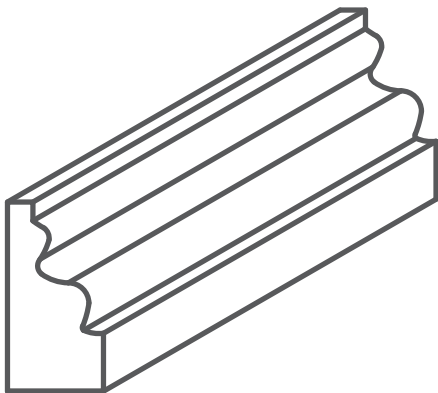


NO 1003 FULL SCALE



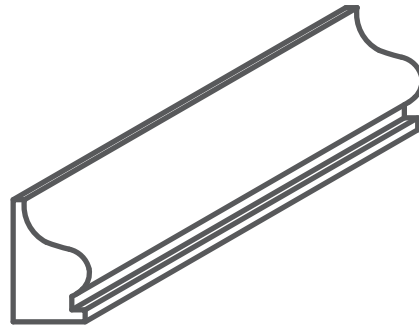
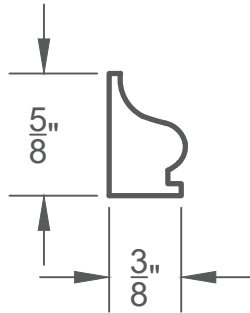


PM 1001 FULL SCALE

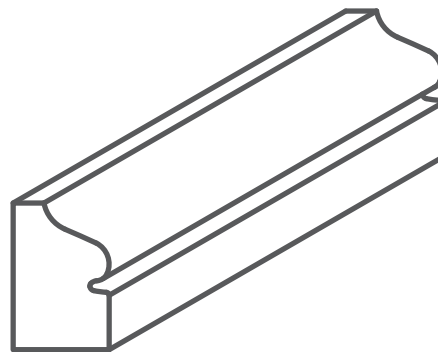
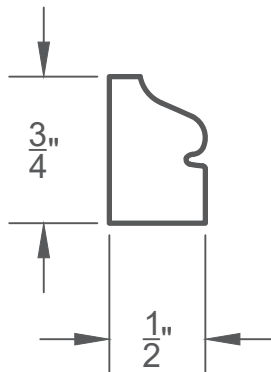


PM 1013 FULL SCALE

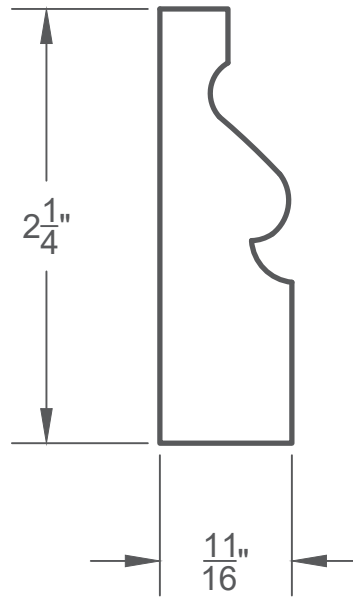
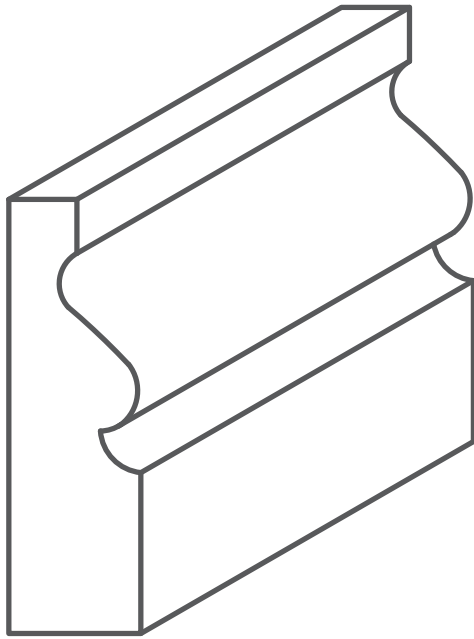
PANEL MOLDINGS



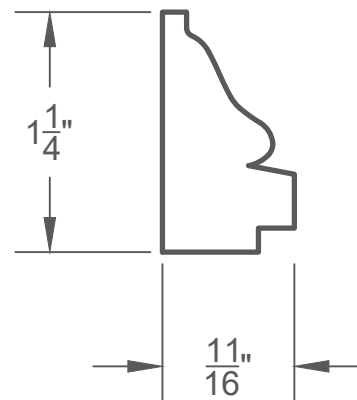
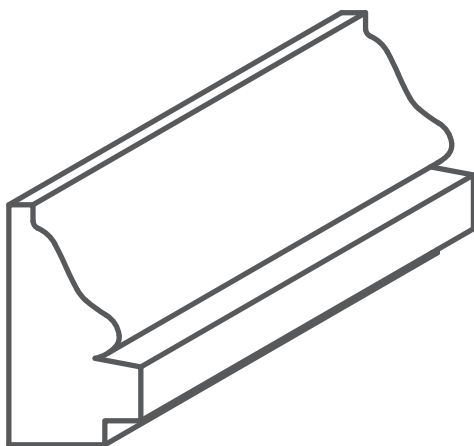
PM 1006 FULL SCALE



PM 1009 FULL SCALE



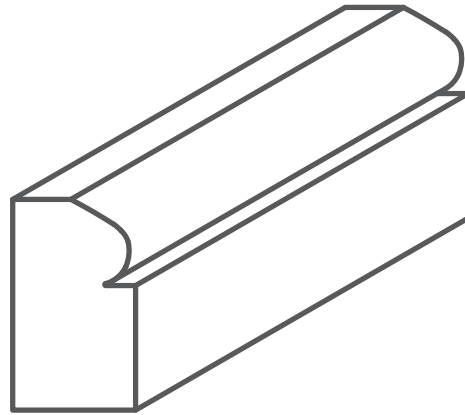
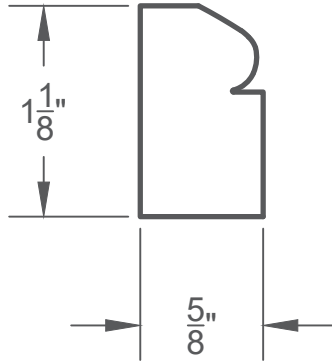
PM 2003 FULL SCALE



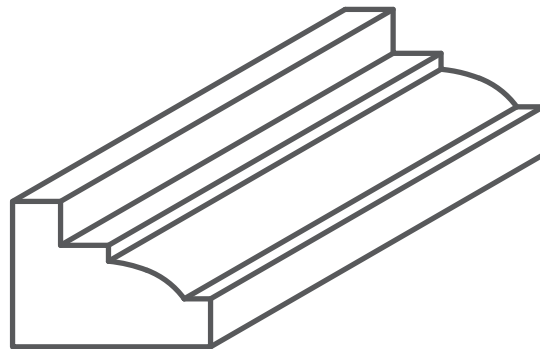
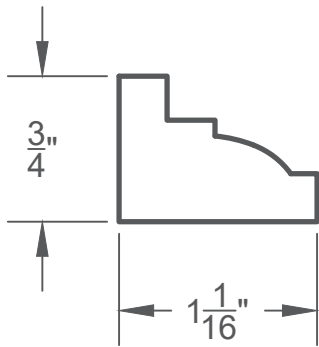
PM 1011 FULL SCALE

PANEL MOLDINGS

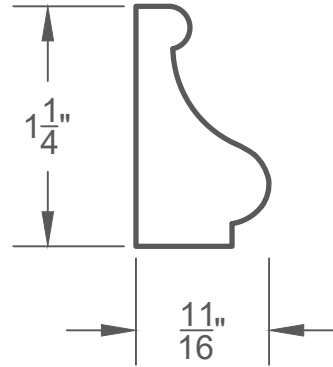
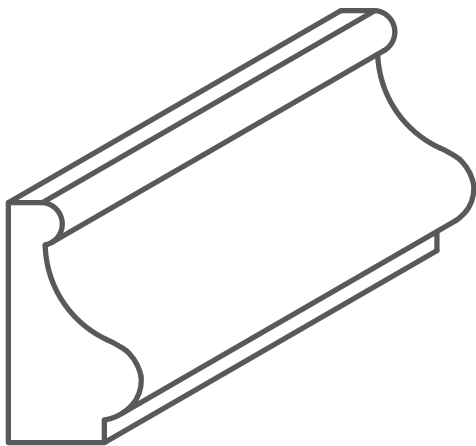
PANEL MOLDINGS



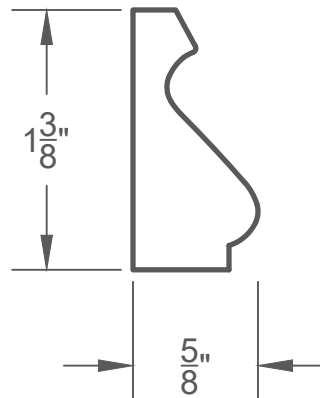
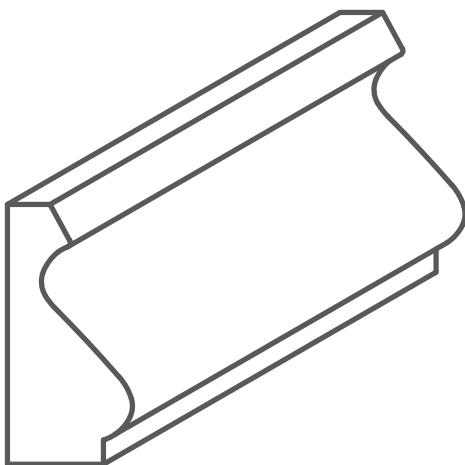
PM 1071 FULL SCALE



PM 1059 FULL SCALE



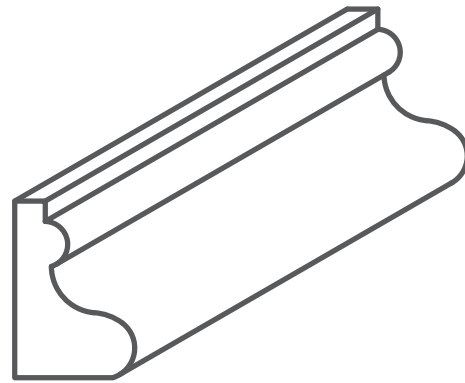
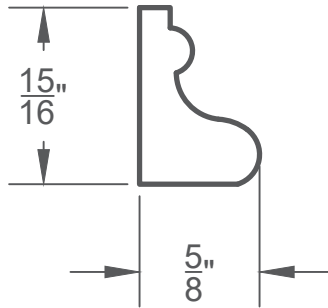
PM 1008 FULL SCALE



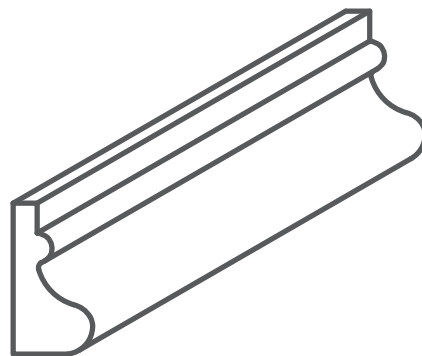
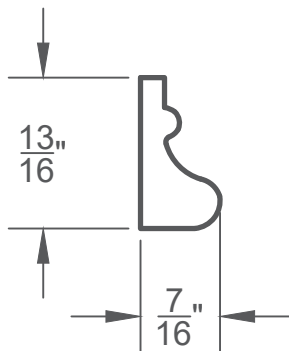
PM 1019 FULL SCALE

PANEL MOLDINGS

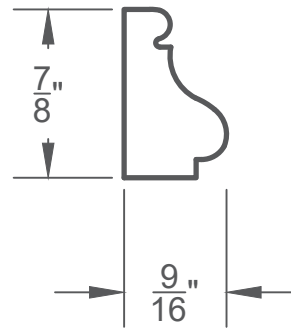
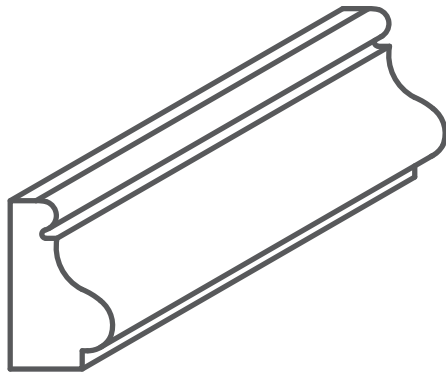
PANEL MOLDINGS



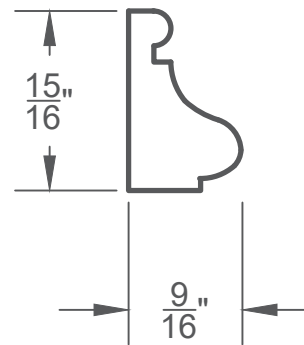
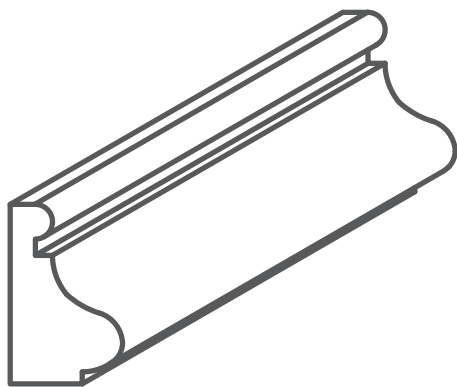
PM 1030 FULL SCALE



PM 1027 FULL SCALE



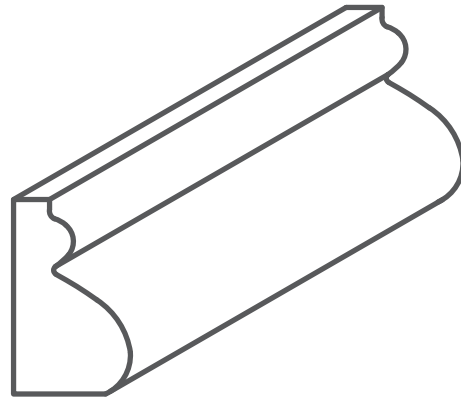
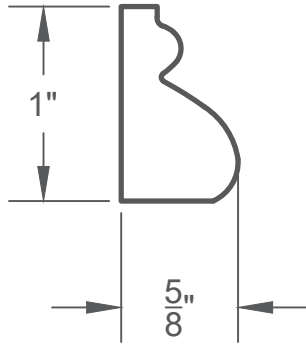
PM 1018 FULL SCALE



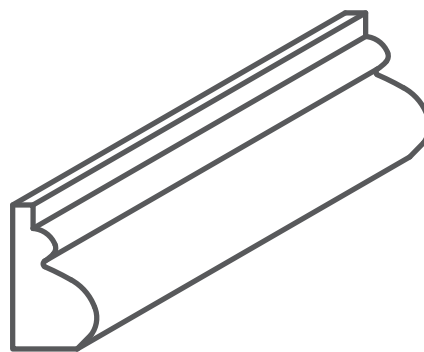
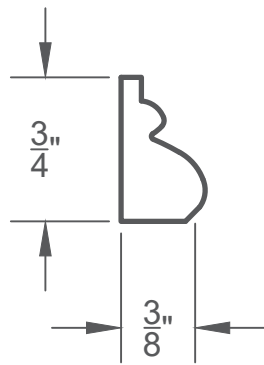
PM 1029 FULL SCALE

PANEL MOLDINGS

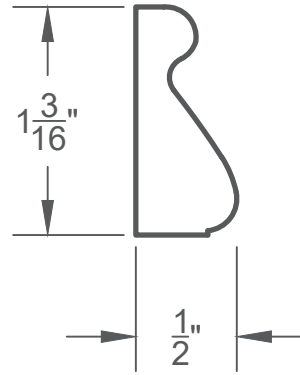
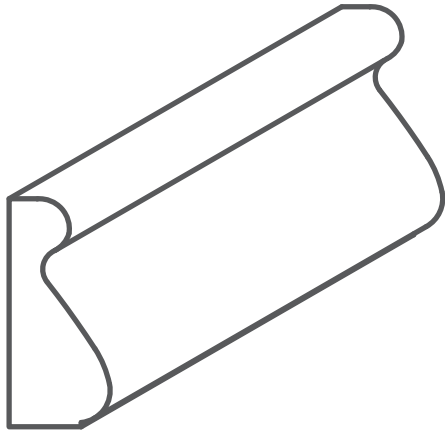
PANEL MOLDINGS



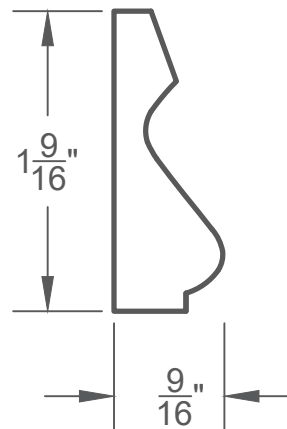
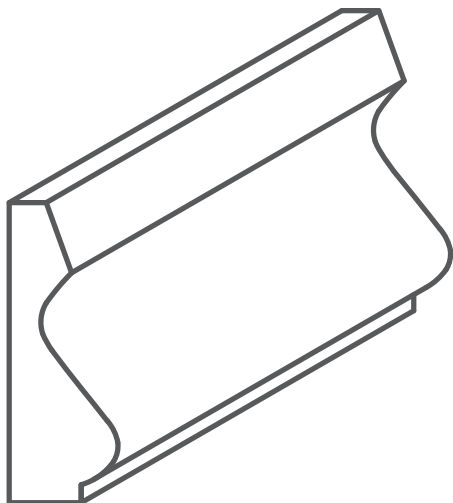
PM 1042 FULL SCALE



PM 1034 FULL SCALE



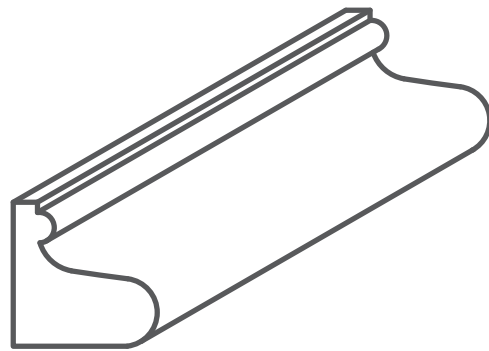
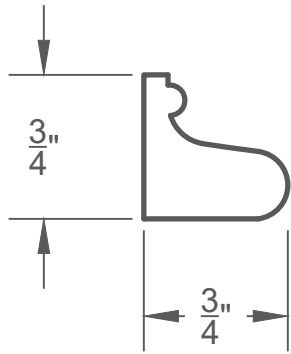
PM 1023 FULL SCALE



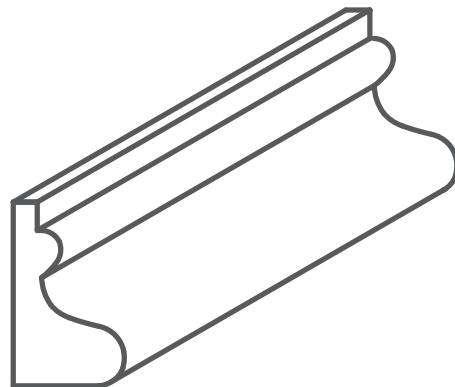
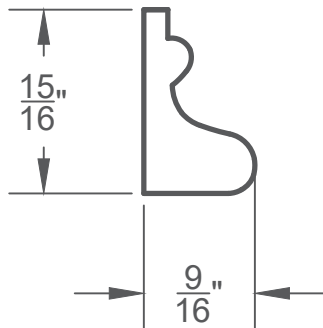
PM 1003 FULL SCALE

PANEL MOLDINGS

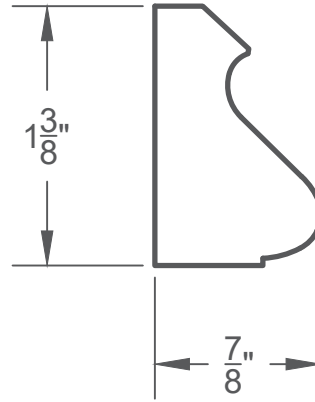
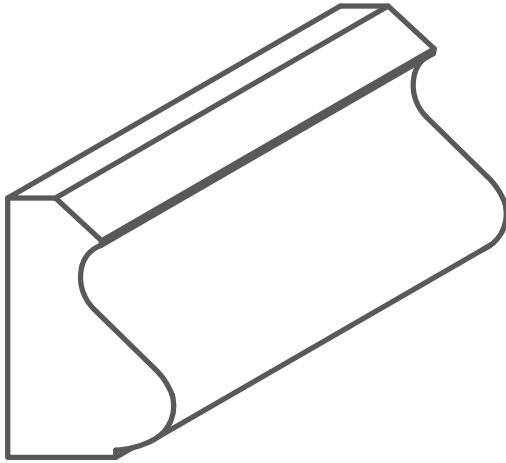
PANEL MOLDINGS



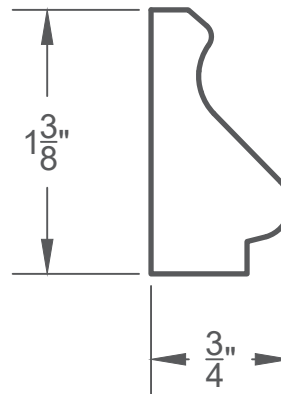
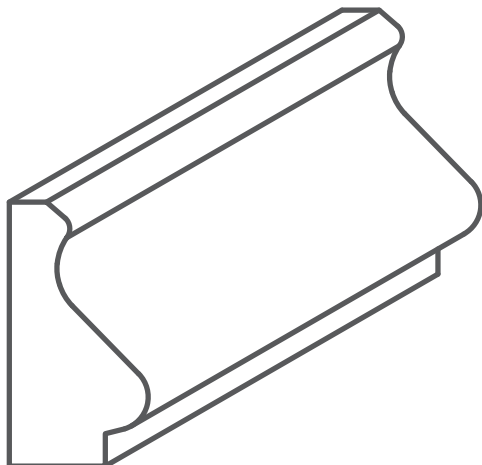
PM 1032 FULL SCALE



PM 1041 FULL SCALE

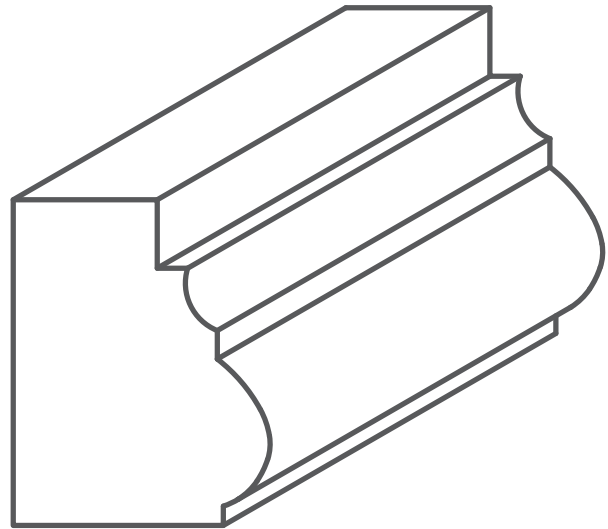
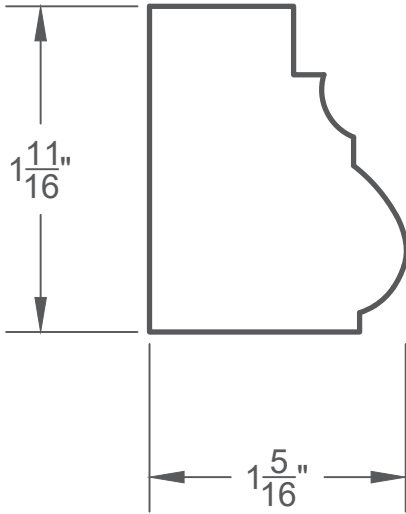


PM 1037 FULL SCALE

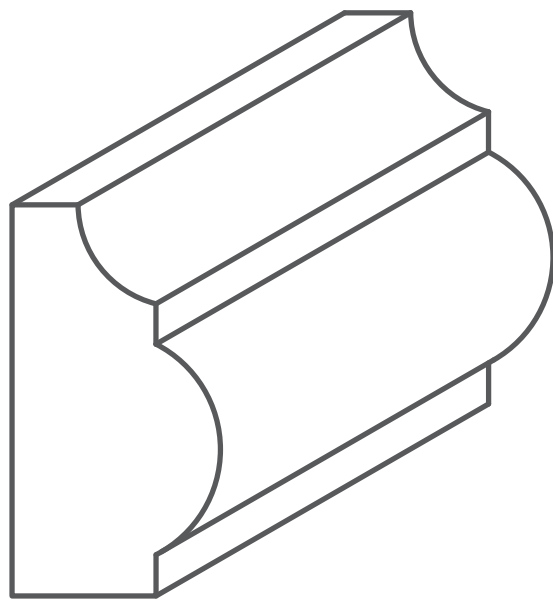
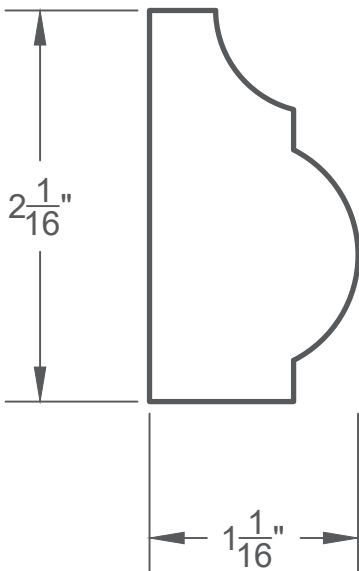


PM 1043 FULL SCALE

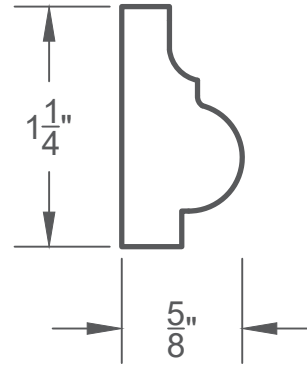
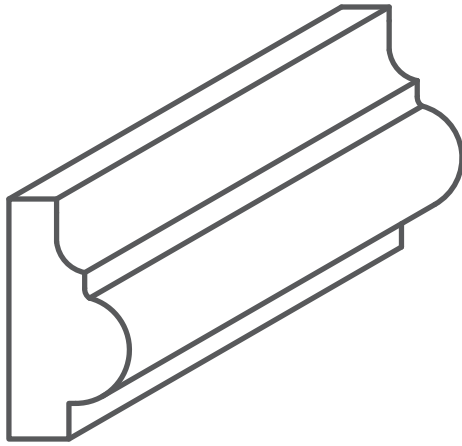
PANEL MOLDINGS



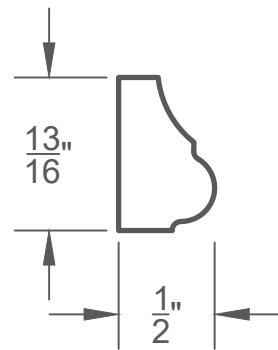
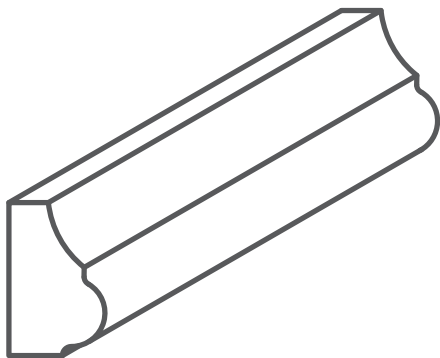
PM 1069 FULL SCALE



PM 2007 FULL SCALE



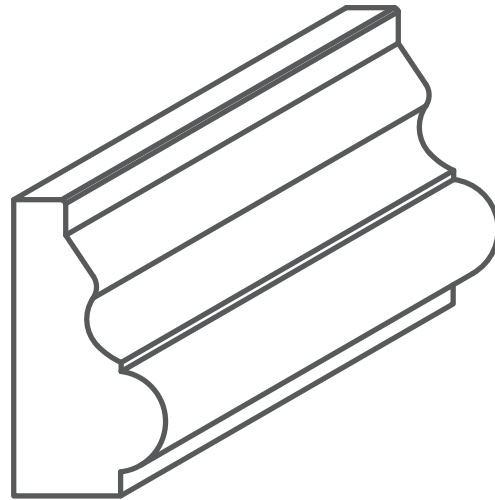
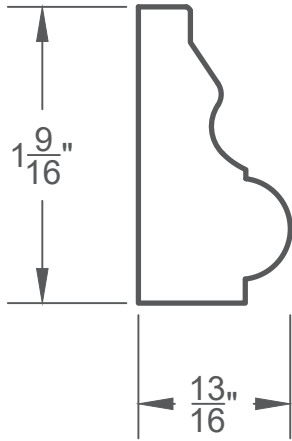
PM 1020 FULL SCALE



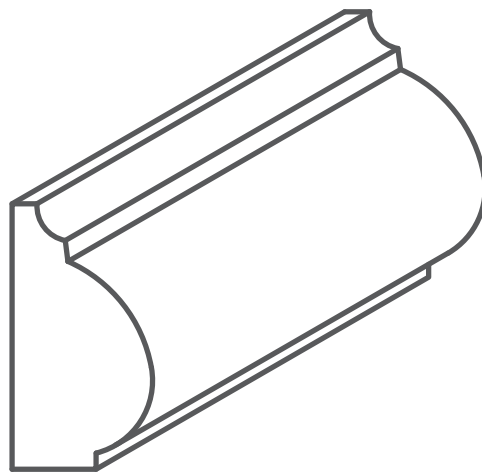
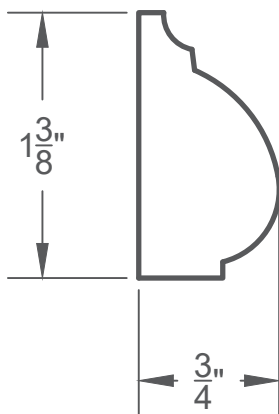
PM 1033 FULL SCALE

PANEL MOLDINGS

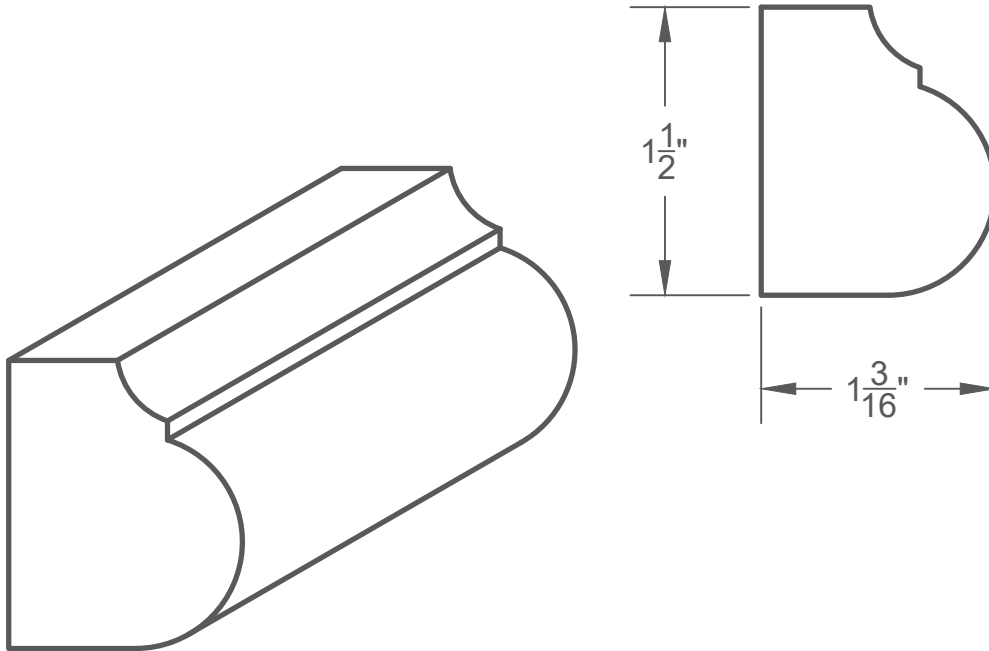
PANEL MOLDINGS



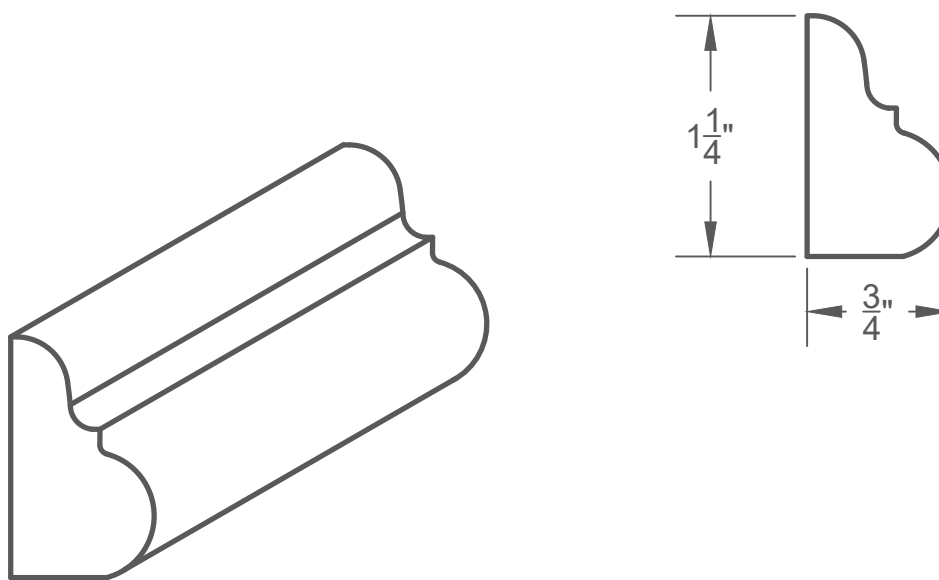
PM 1068 FULL SCALE



PM 1002 FULL SCALE



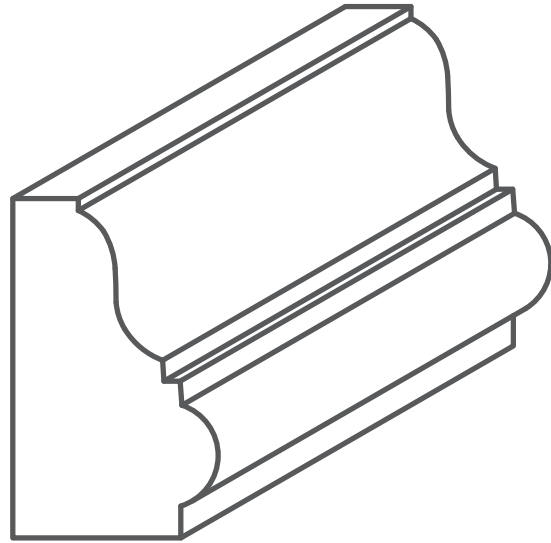
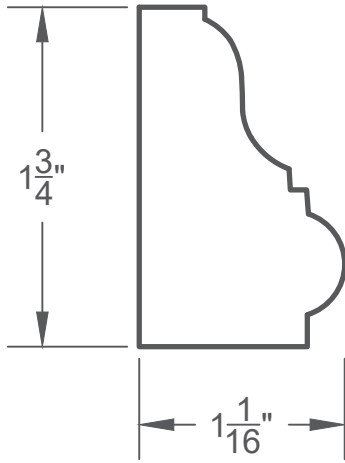
PM 1014 FULL SCALE



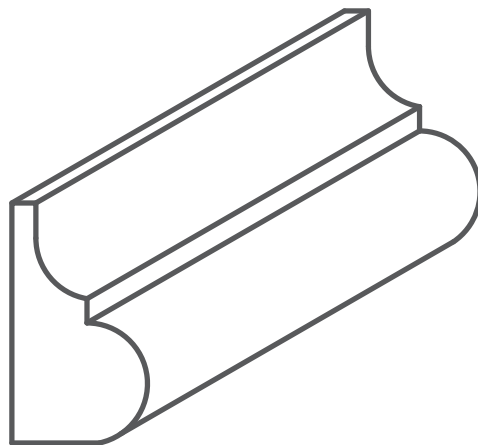
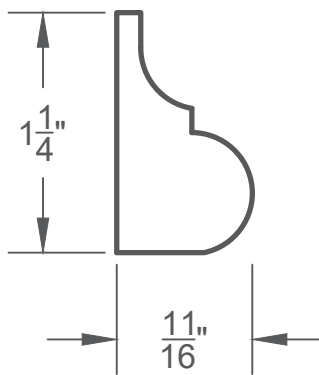
PM 1016 FULL SCALE

PANEL MOLDINGS

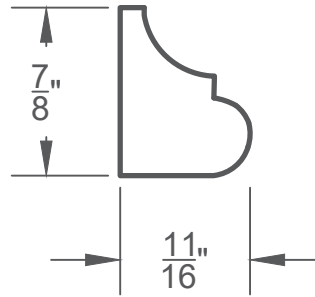
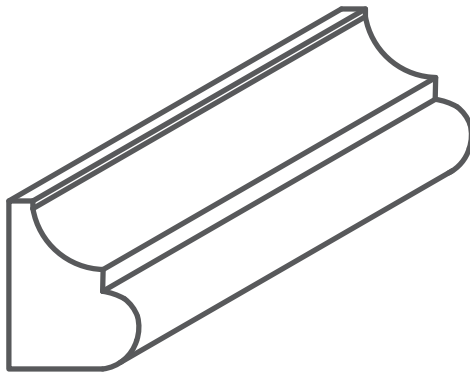
PANEL MOLDINGS



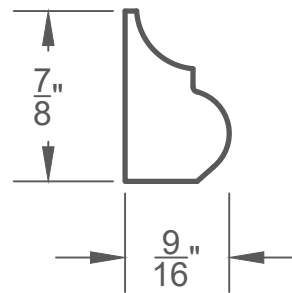
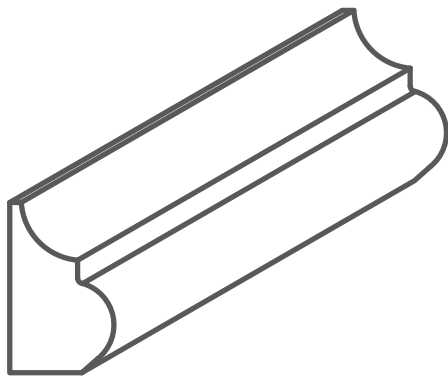
PM 1022 FULL SCALE



PM 1025 FULL SCALE



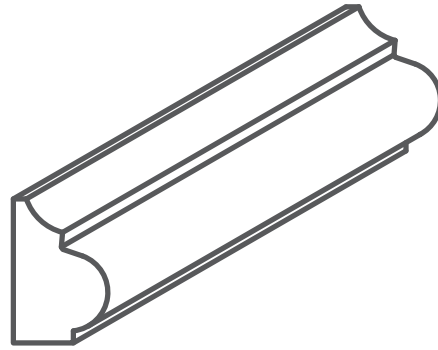
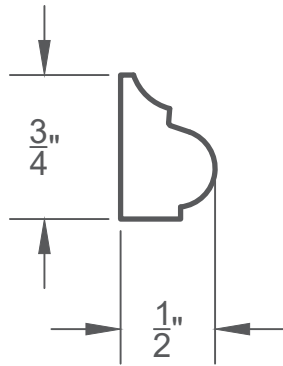
PM 1035 FULL SCALE



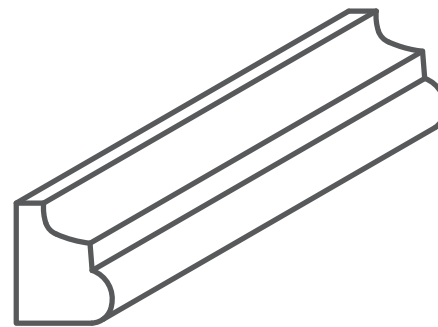
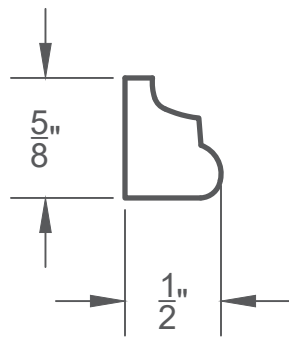
PM 1036 FULL SCALE

PANEL MOLDINGS

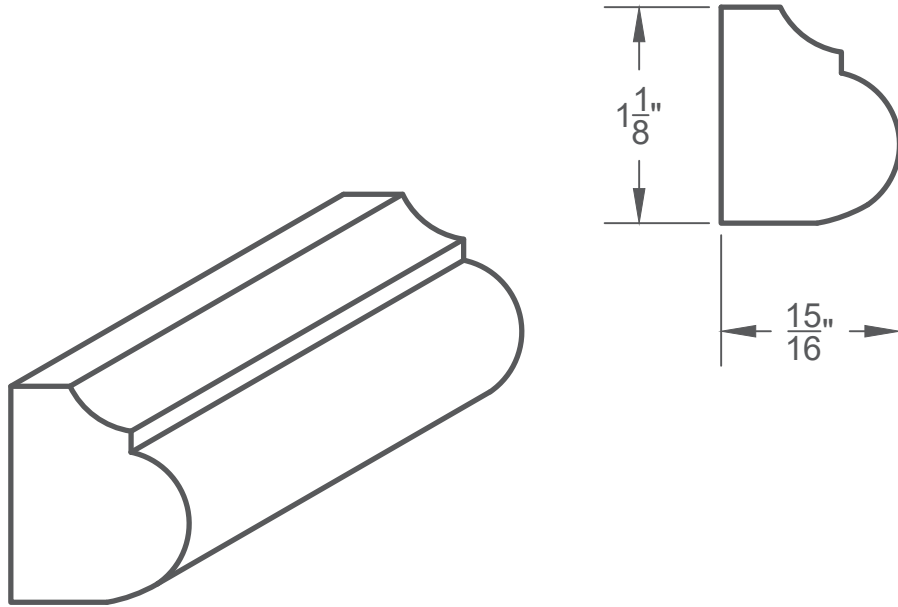
PANEL MOLDINGS



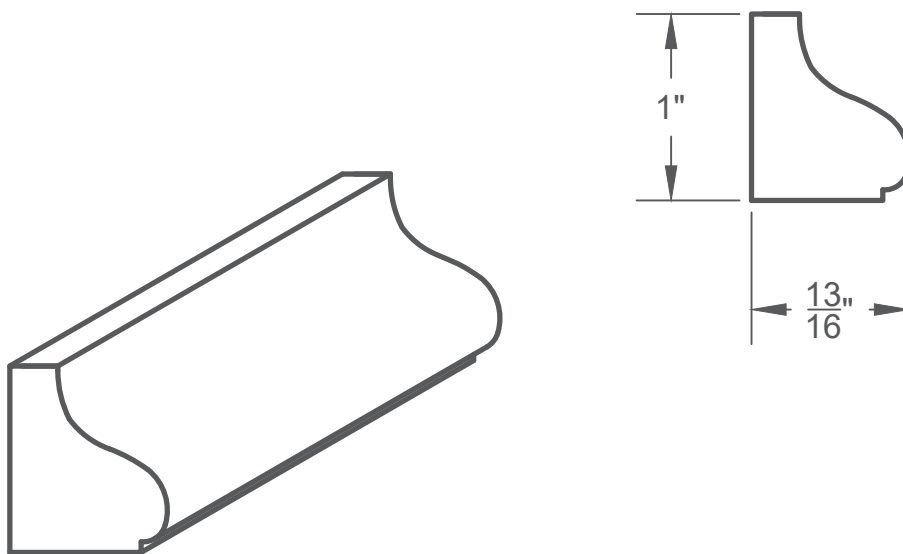
PM 1045 FULL SCALE



PM 1046 FULL SCALE



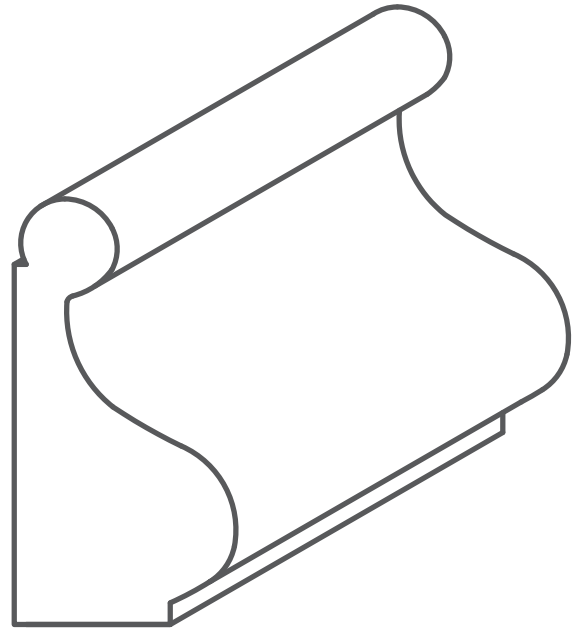
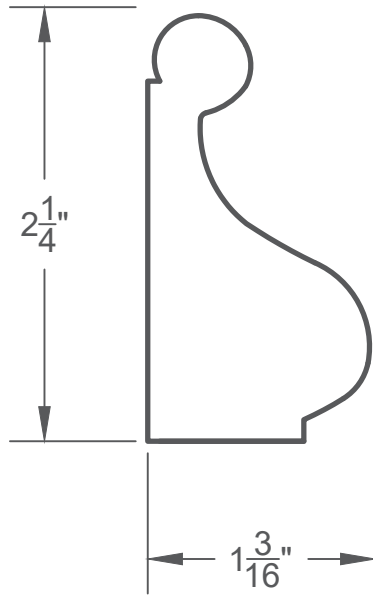
PM 1047 FULL SCALE



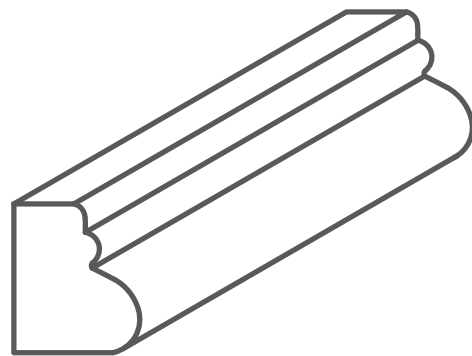
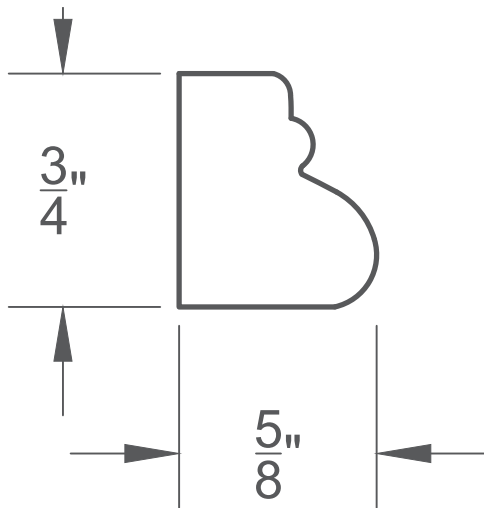
PM 1054 FULL SCALE

PANEL MOLDINGS

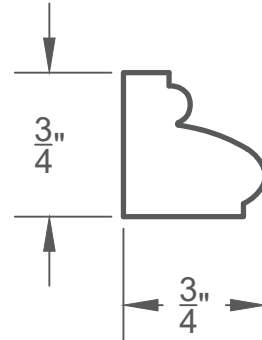
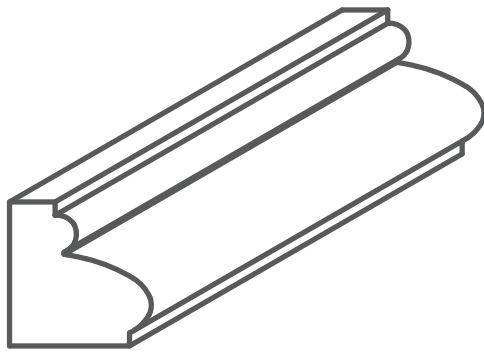
PANEL MOLDINGS



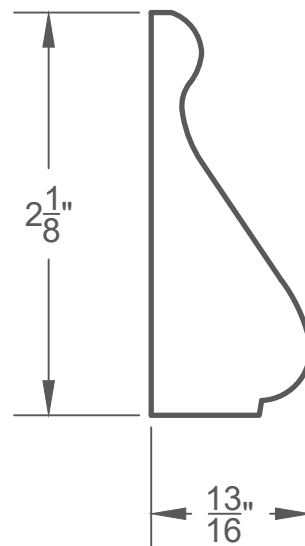
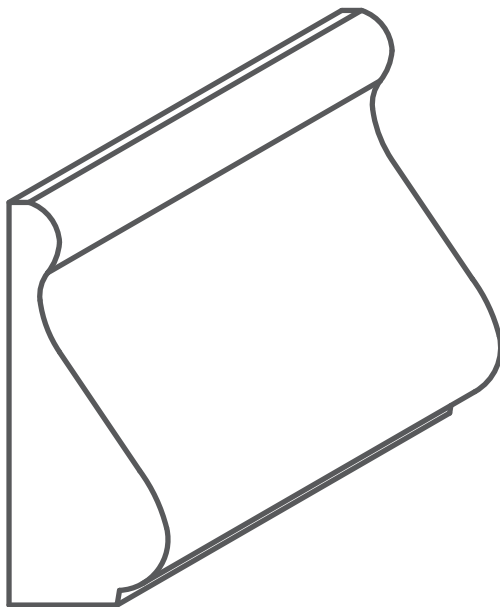
PM 2001 FULL SCALE



PM 1012 FULL SCALE



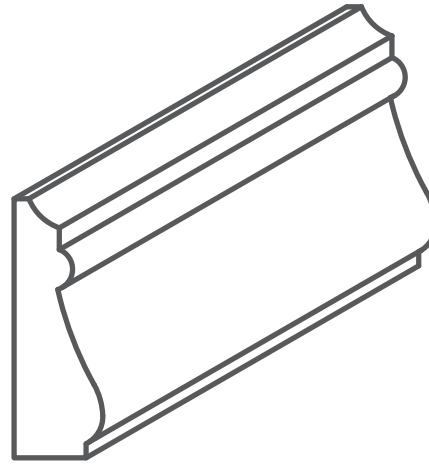
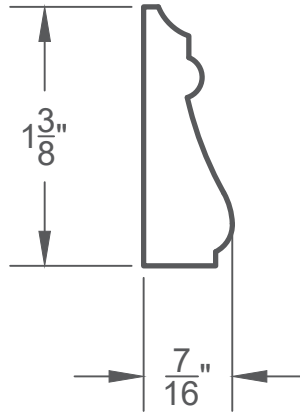
PM 1026 FULL SCALE



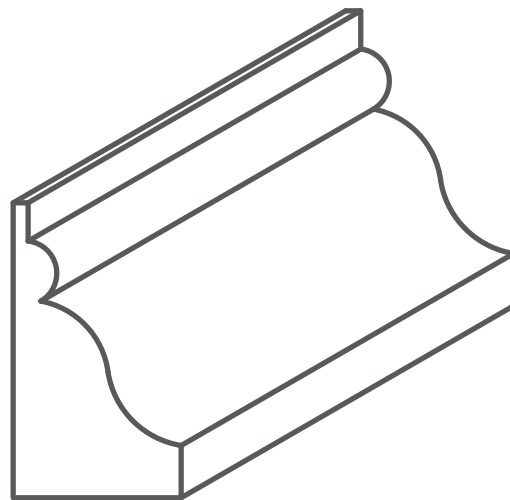
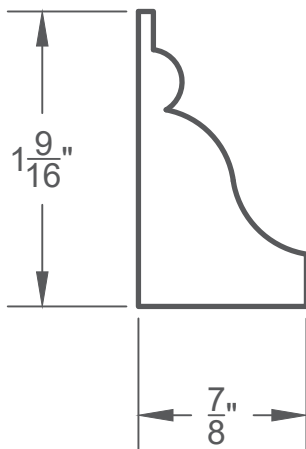
PM 2004 FULL SCALE

PANEL MOLDINGS

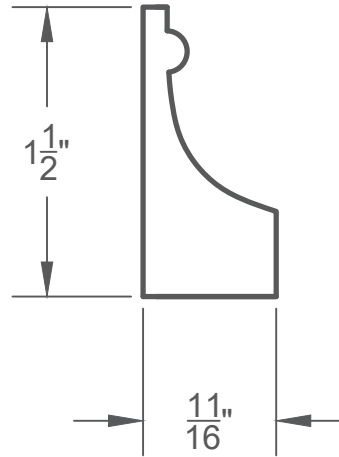
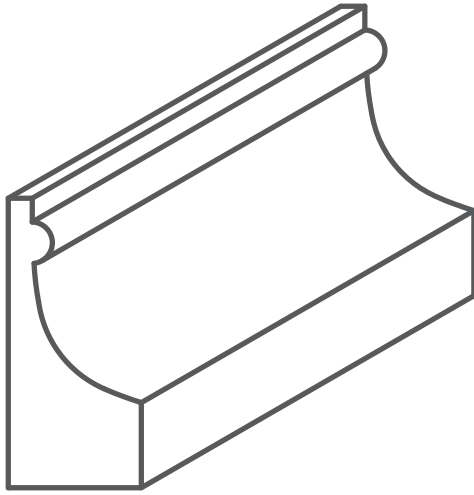
PANEL MOLDINGS



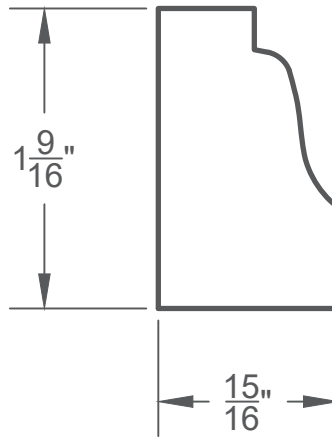
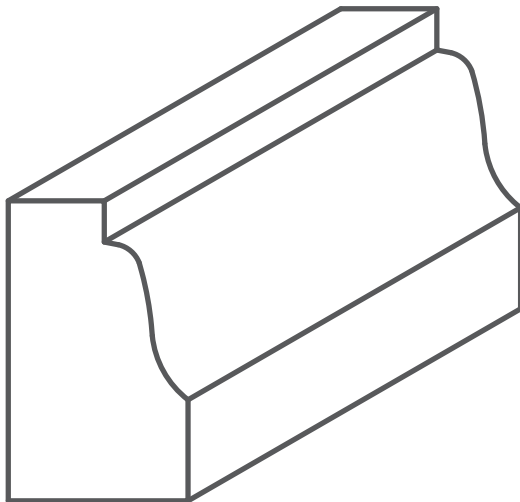
PM 1044 FULL SCALE



PM 1031 FULL SCALE



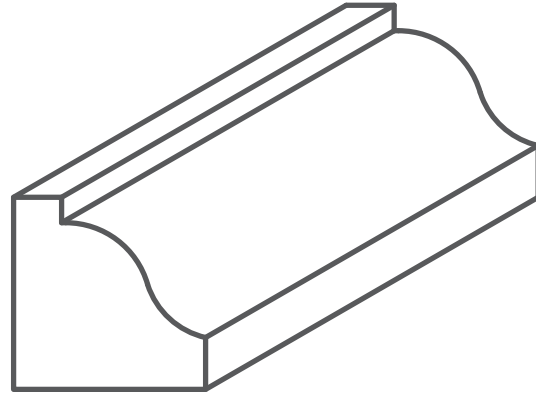
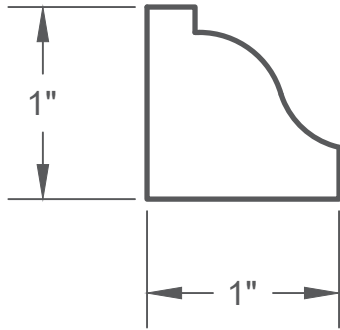
PM 1024 FULL SCALE



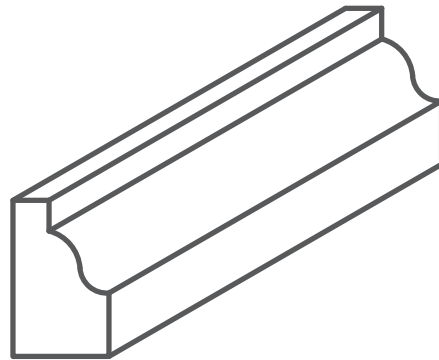
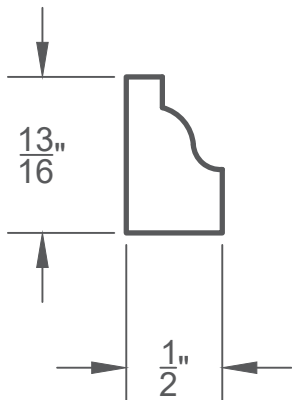
PM 1038 FULL SCALE

PANEL MOLDINGS

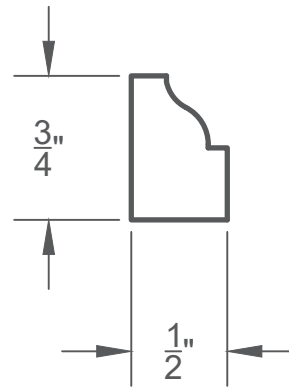
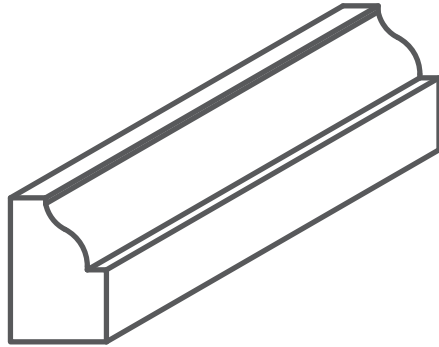
PANEL MOLDINGS



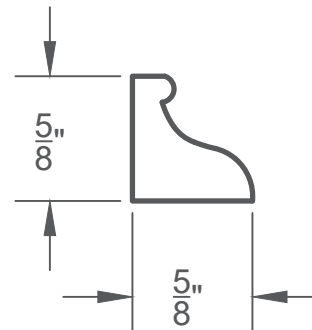
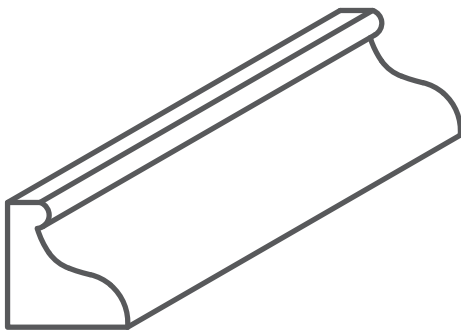
PM 1010 FULL SCALE



PM 1039 FULL SCALE



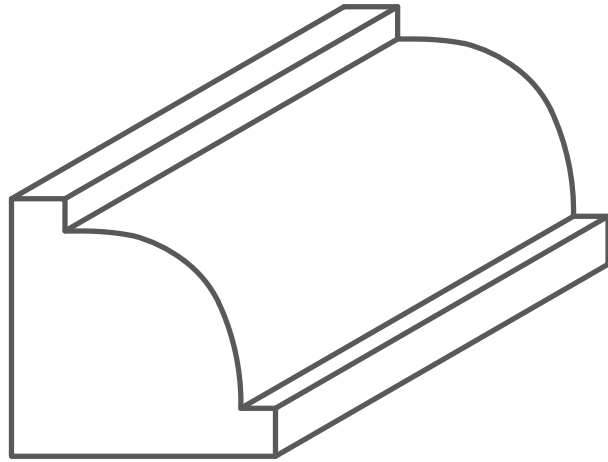
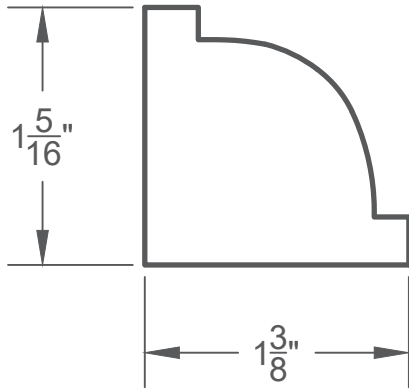
PM 1007 FULL SCALE



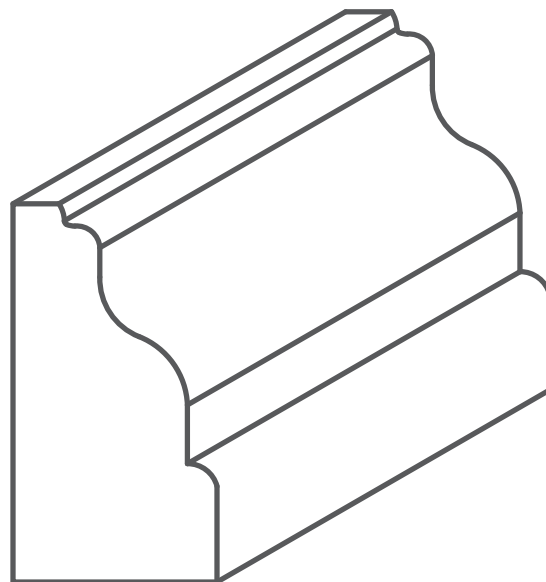
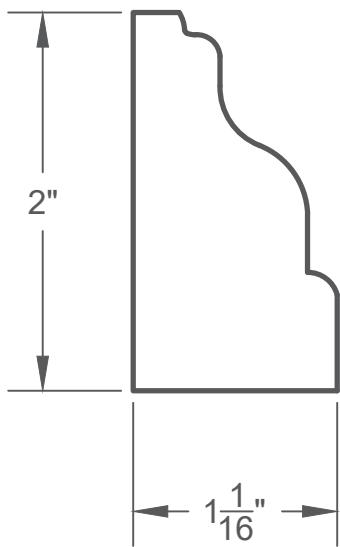
PM 1004 FULL SCALE

PANEL MOLDINGS

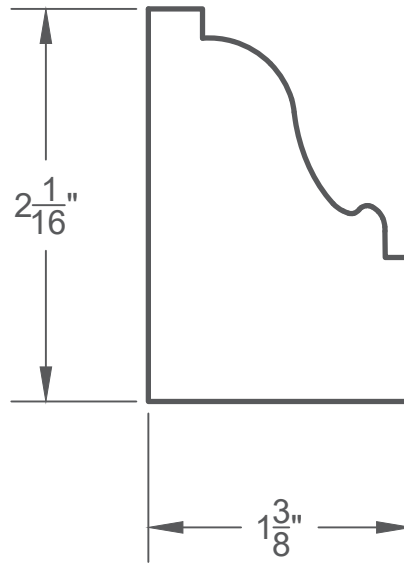
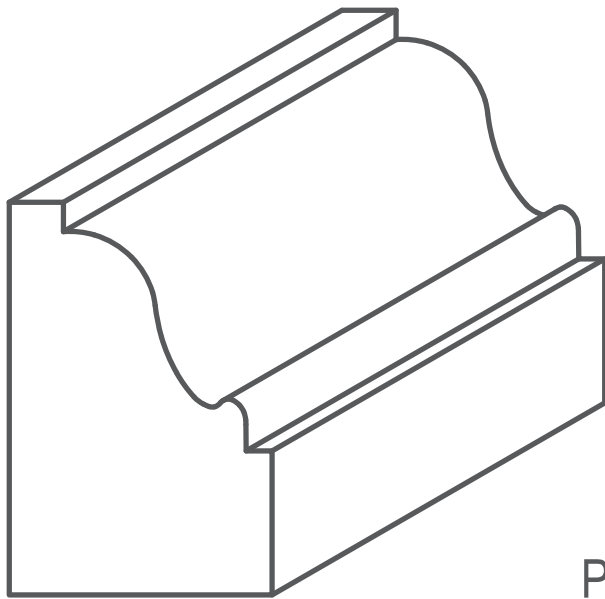
PANEL MOLDINGS



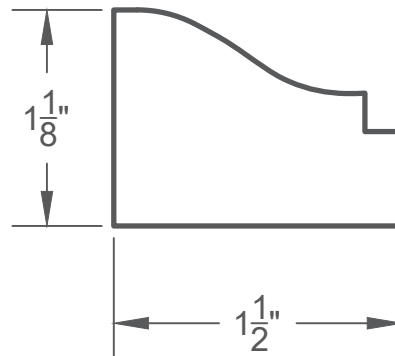
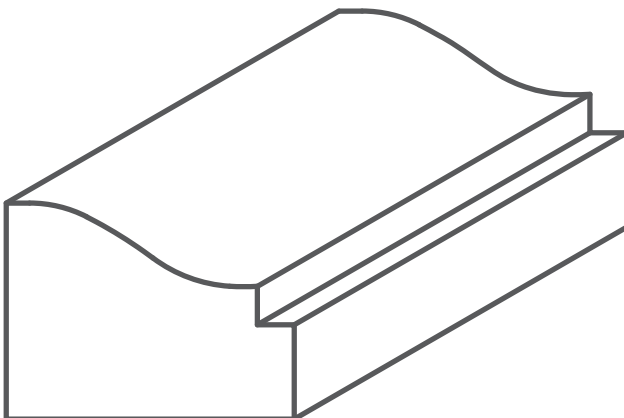
PM 1064 FULL SCALE



PM 2005 FULL SCALE



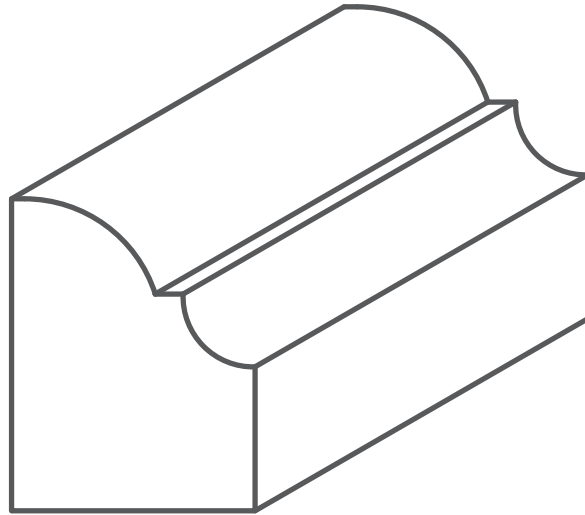
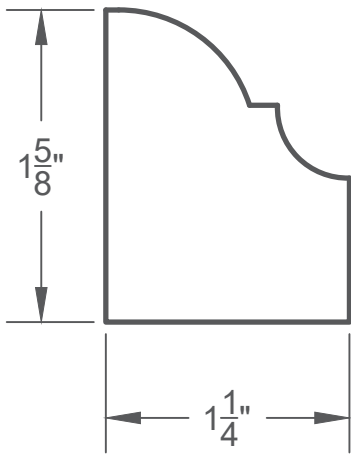
PM 2006 FULL SCALE



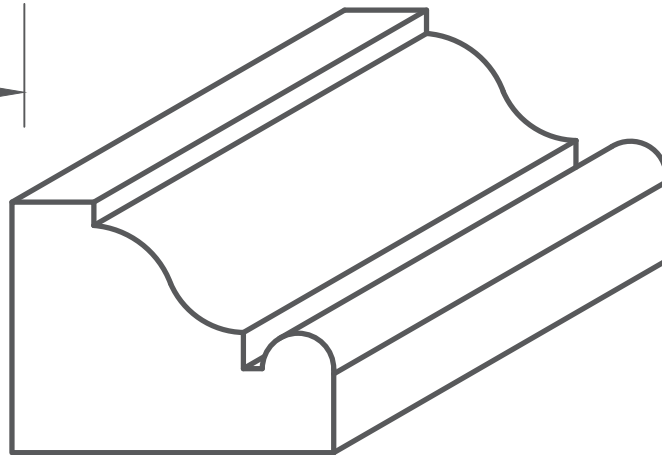
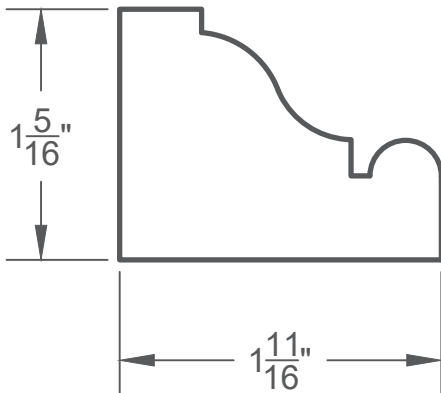
PM 1005 FULL SCALE

PANEL MOLDINGS

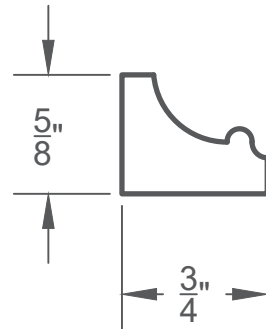
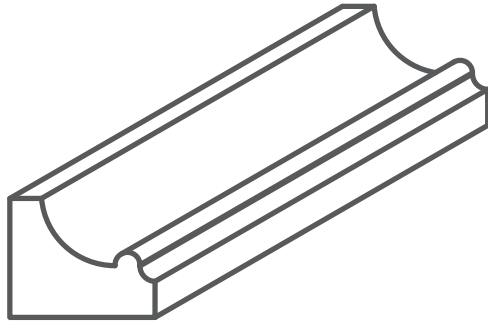
PANEL MOLDINGS



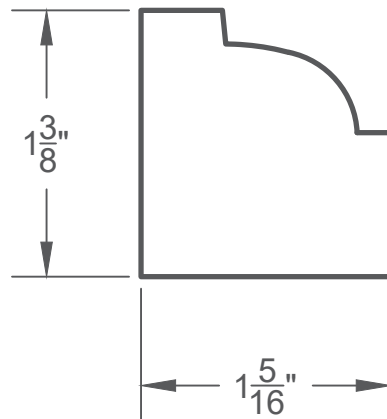
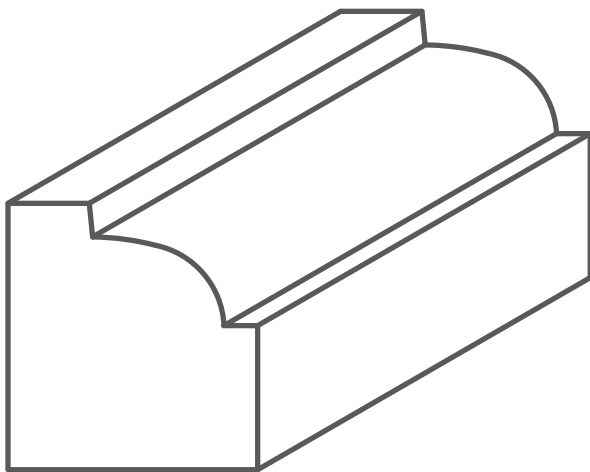
PM 1053 FULL SCALE



PM 1049 FULL SCALE

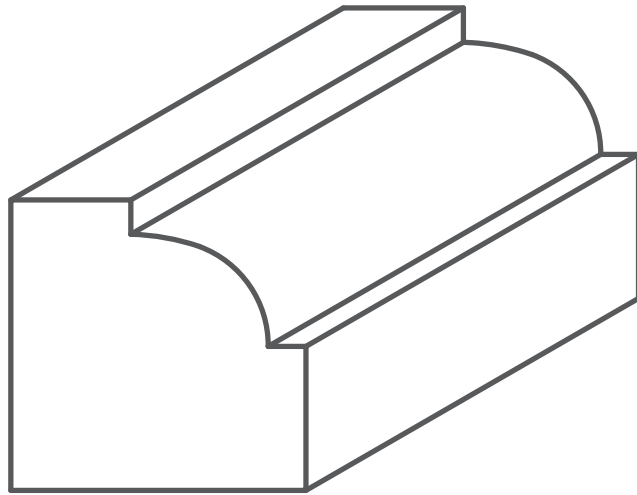
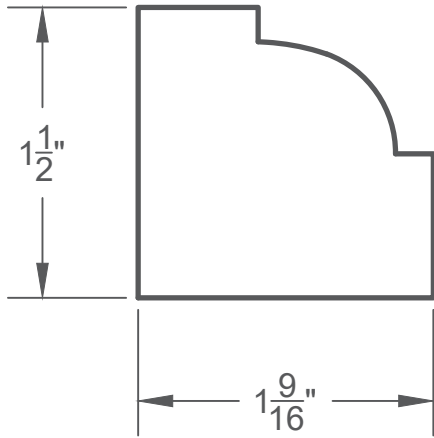


PM 1052 FULL SCALE

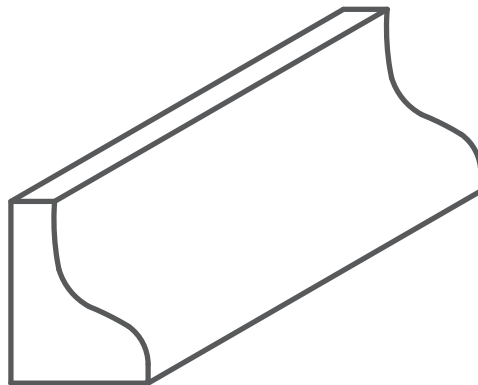
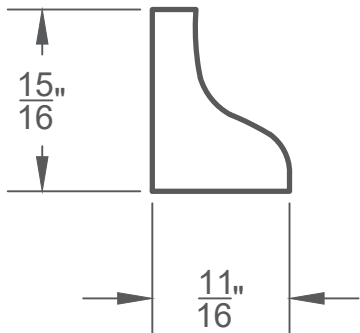


PM 1058 FULL SCALE

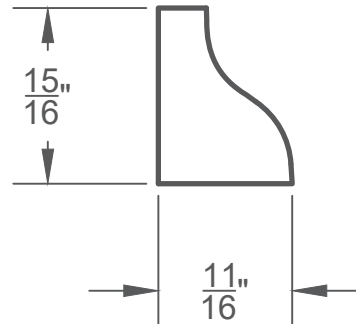
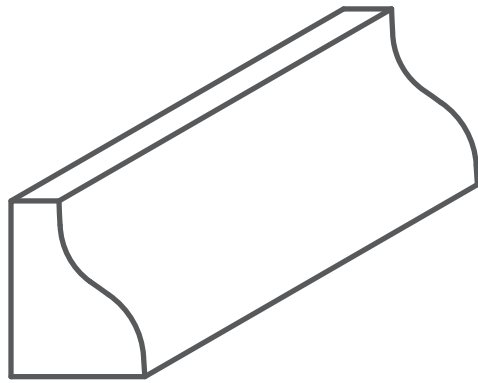
PANEL MOLDINGS



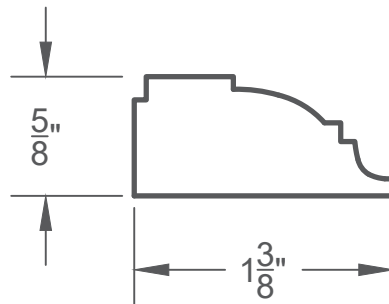
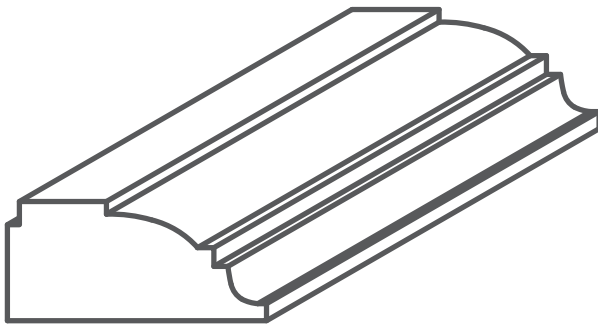
PM 1057 FULL SCALE



PM 1051 FULL SCALE



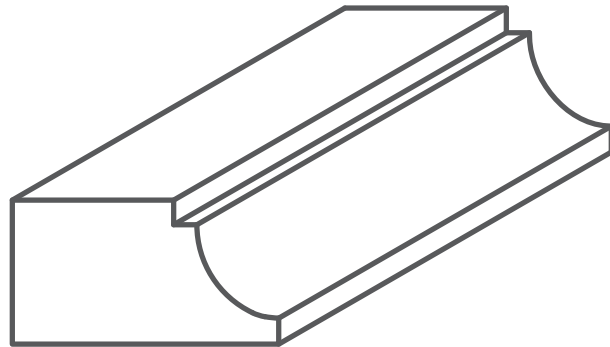
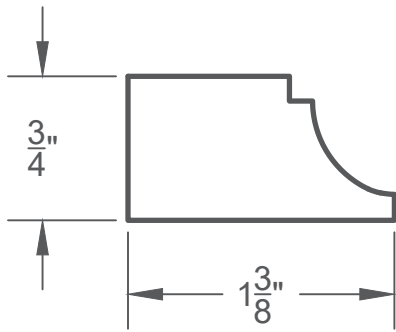
PM 1061 FULL SCALE



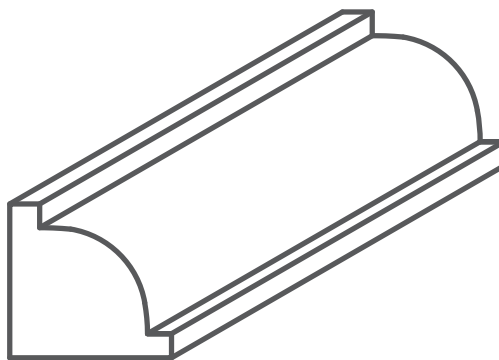
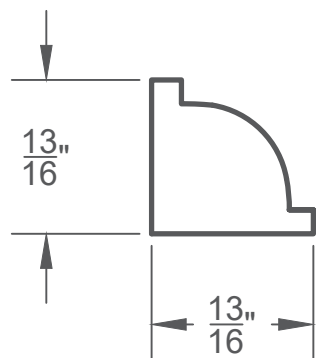
PM 1017 FULL SCALE

PANEL MOLDINGS

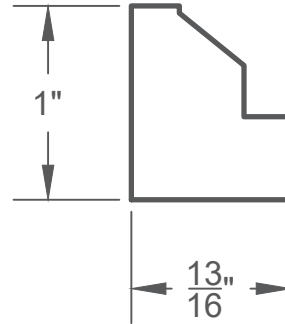
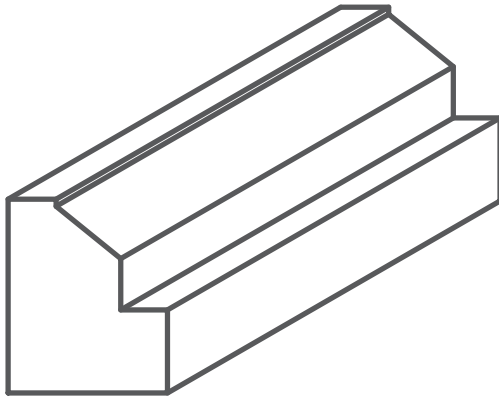
PANEL MOLDINGS



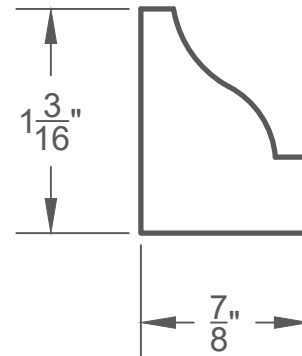
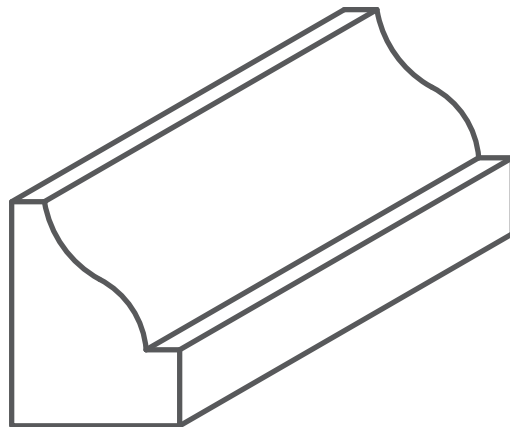
PM 1063 FULL SCALE



PM 1060 FULL SCALE



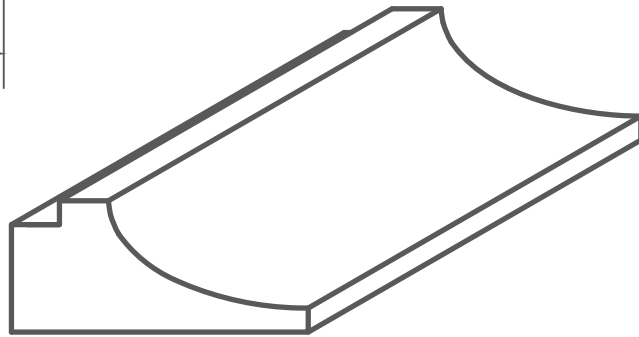
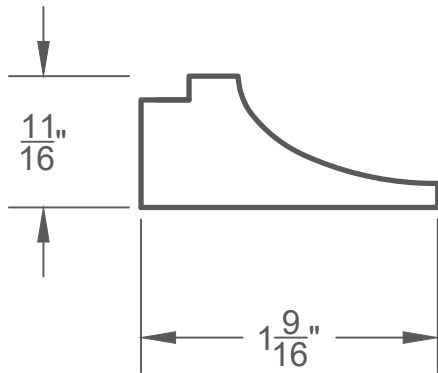
PM 1055 FULL SCALE



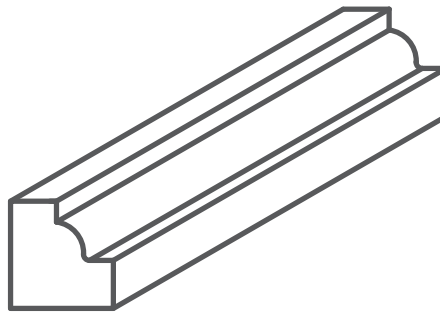
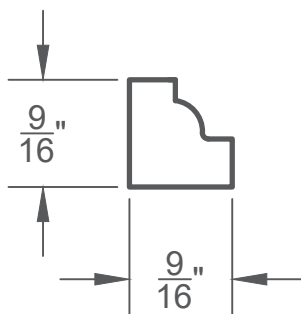
PM 1040 FULL SCALE

PANEL MOLDINGS

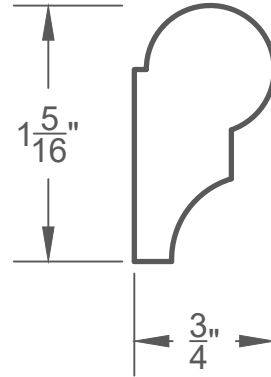
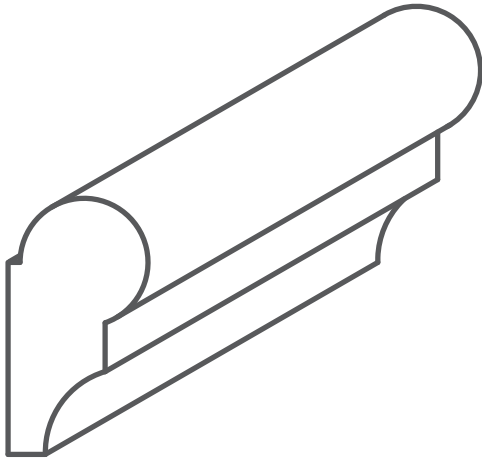
PANEL MOLDINGS



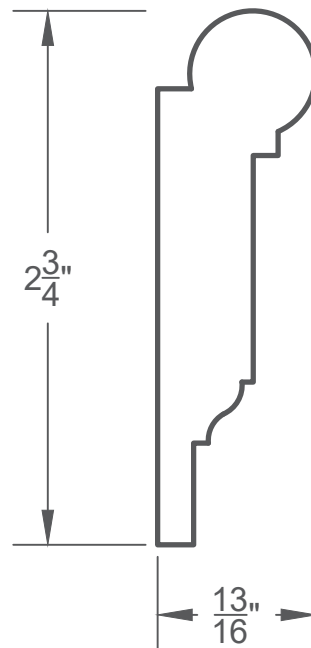
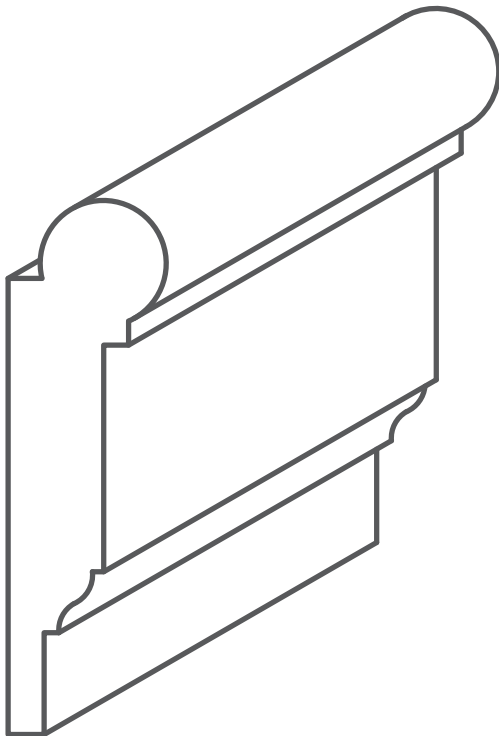
PM 1062 FULL SCALE



PM 1065 FULL SCALE



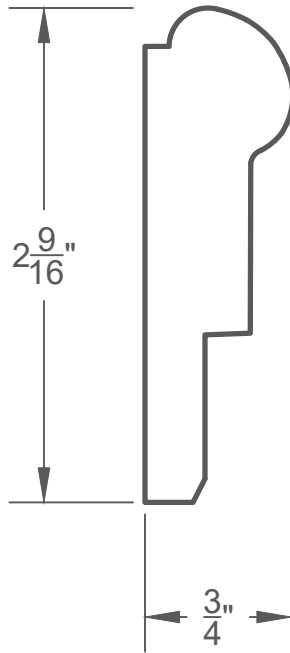
PR 1001 FULL SCALE



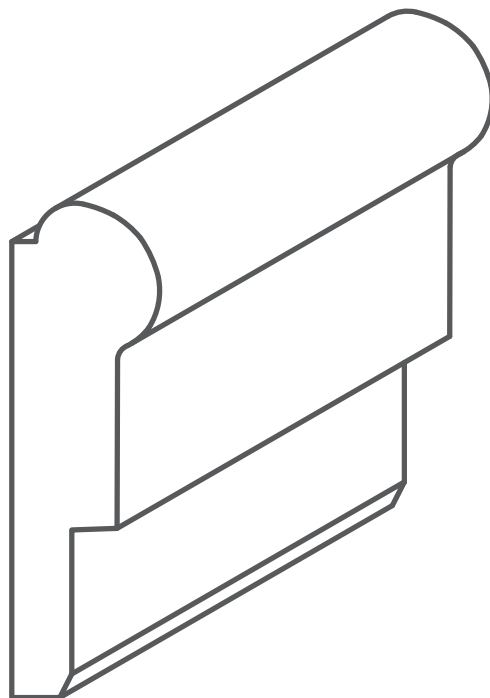
PR 2001 FULL SCALE

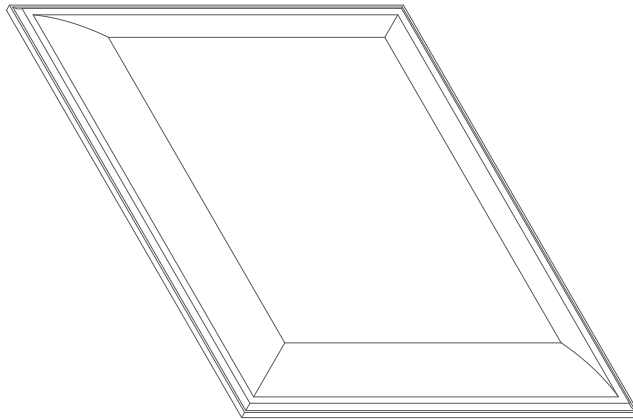
PICTURE RAILINGS

PICTURE RAILINGS

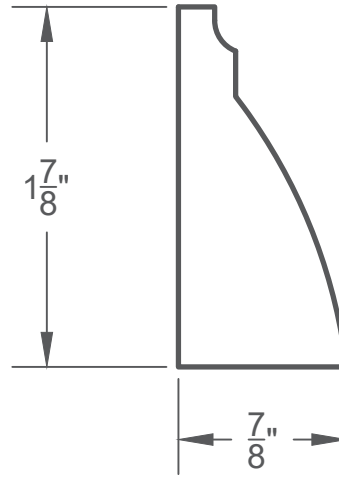


PR 2002 FULL SCALE

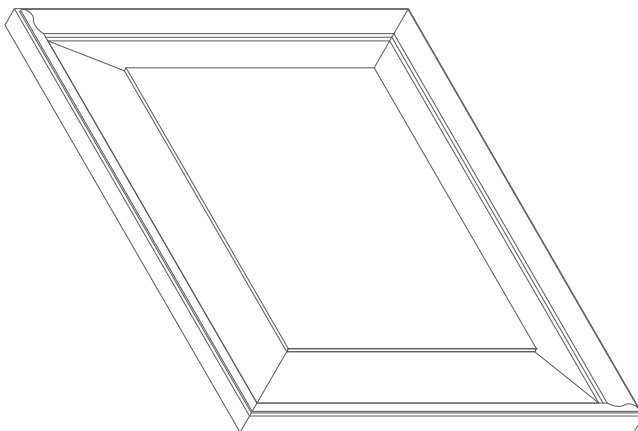




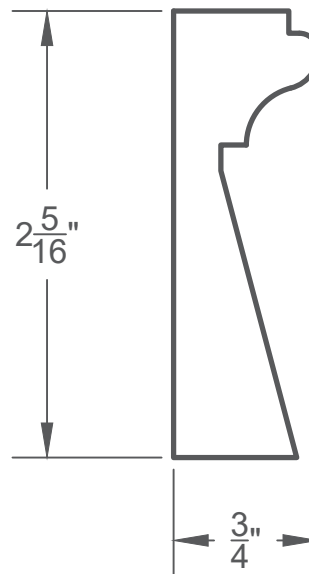
NOT TO SCALE



RP 1001 FULL SCALE



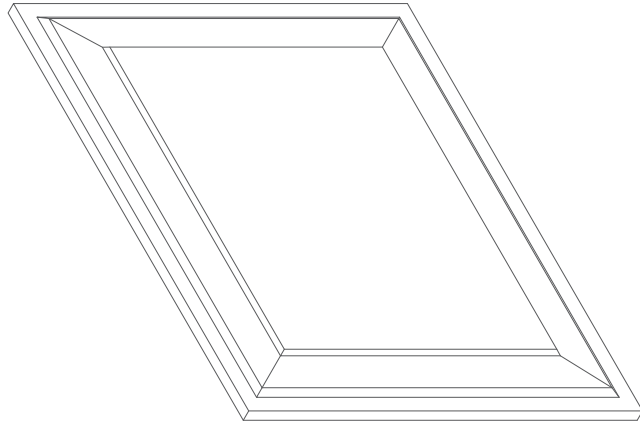
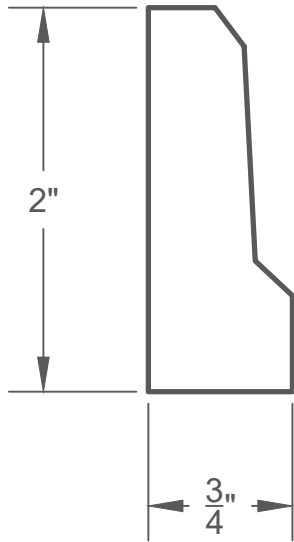
NOT TO SCALE



RP 2001 FULL SCALE

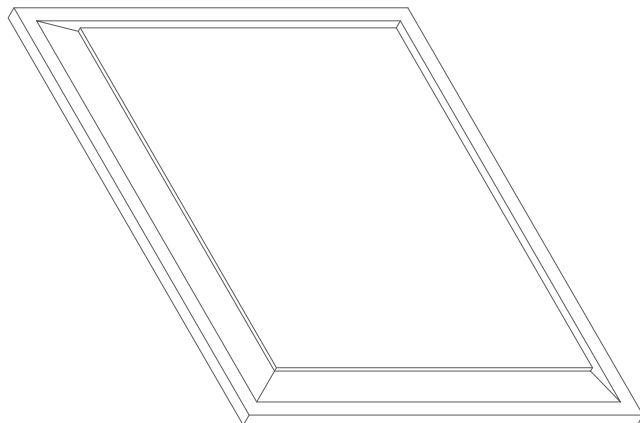
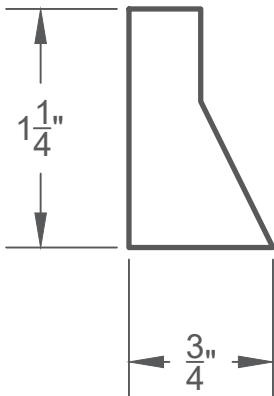
RAISED PANELS

RAISED PANELS



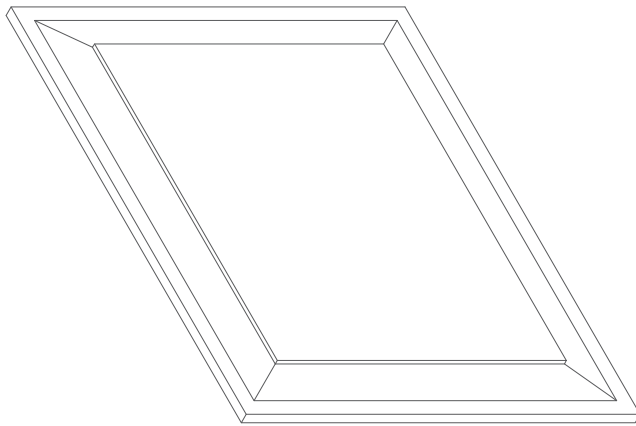
NOT TO SCALE

RP 1002 FULL SCALE

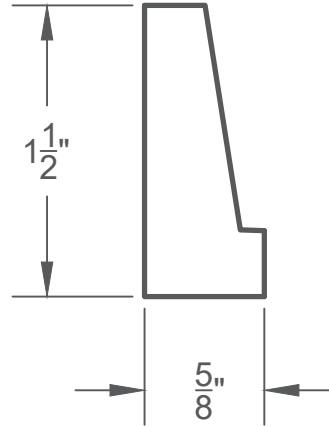


NOT TO SCALE

RP 1006 FULL SCALE

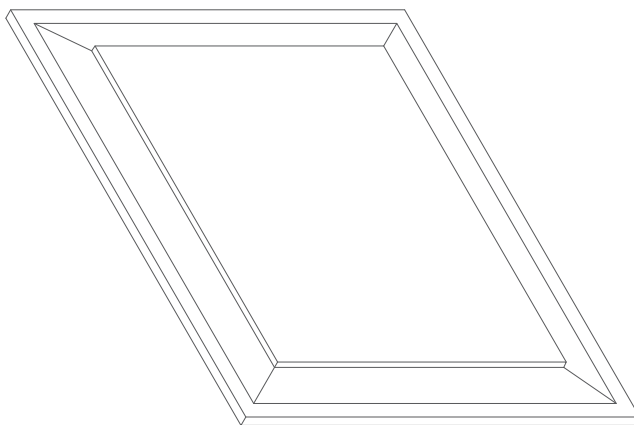


NOT TO SCALE

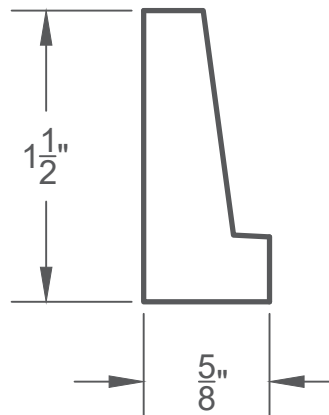


RP 1003

FULL SCALE



NOT TO SCALE

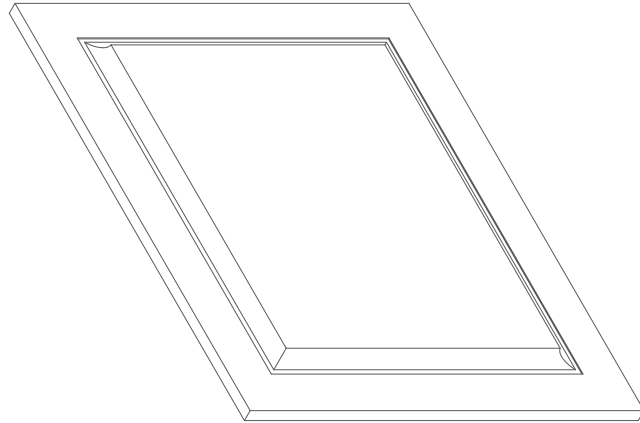
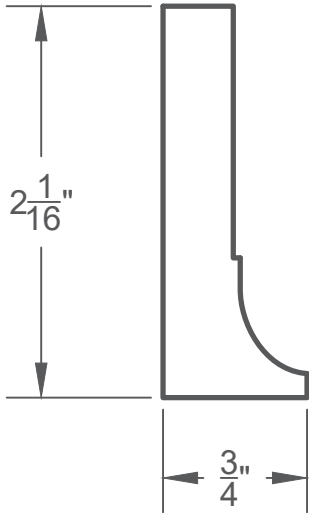


RP 1004

FULL SCALE

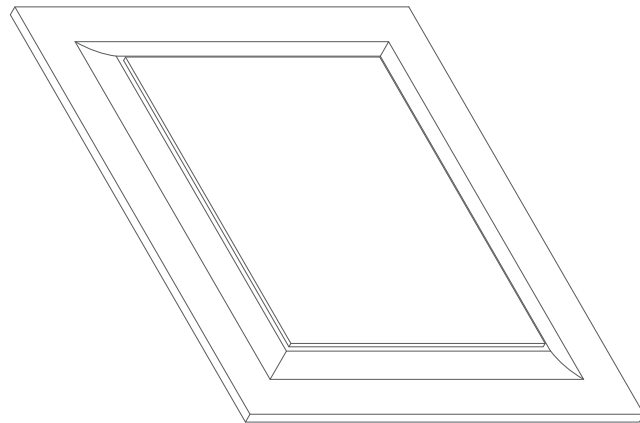
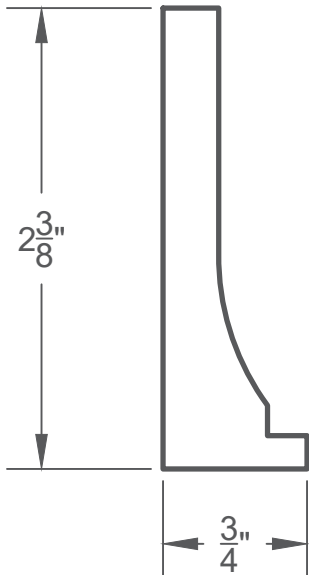
RAISED PANELS

RAISED PANELS



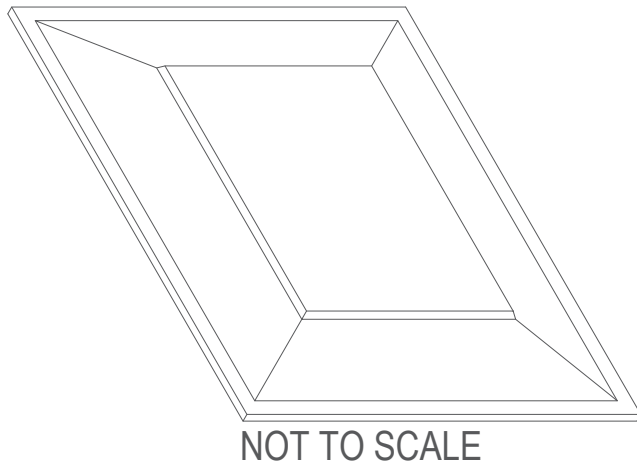
NOT TO SCALE

RP 2003 FULL SCALE



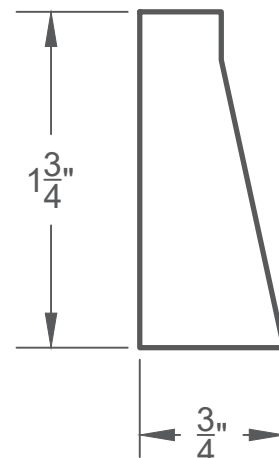
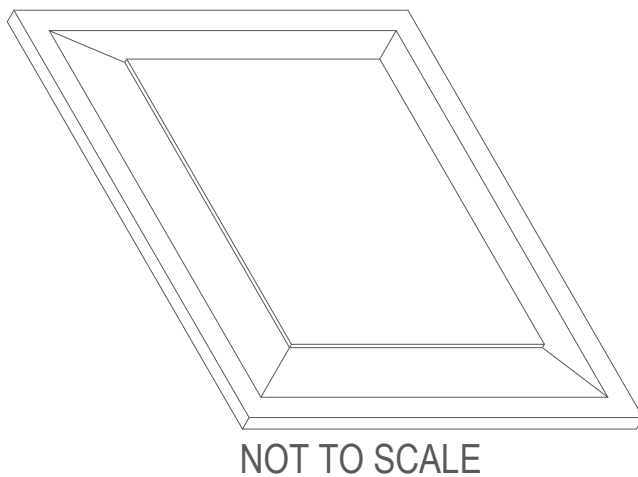
NOT TO SCALE

RP 2004 FULL SCALE



RP 2006

FULL SCALE

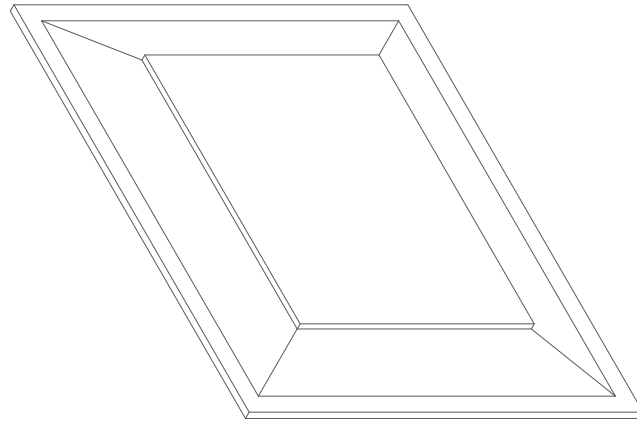
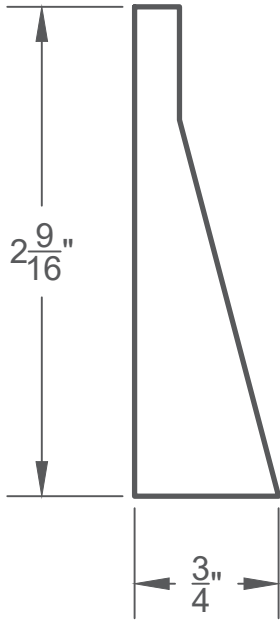


RP 1005

FULL SCALE

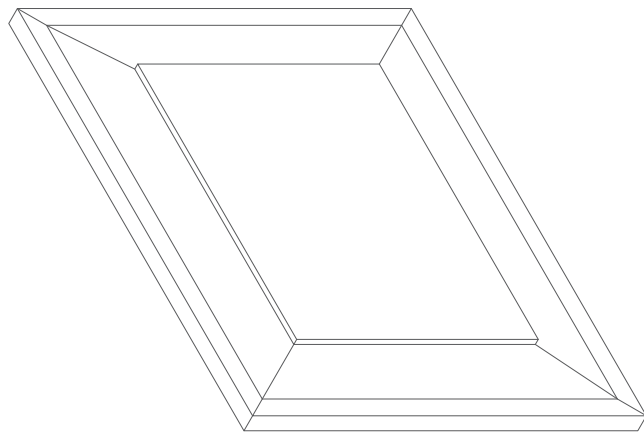
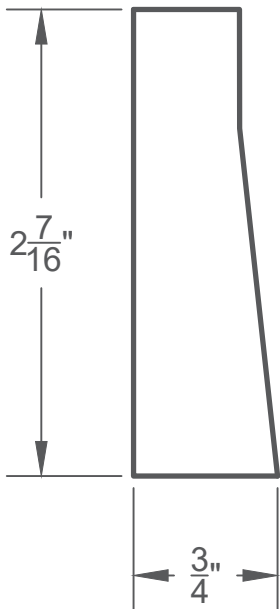
RAISED PANELS

RAISED PANELS



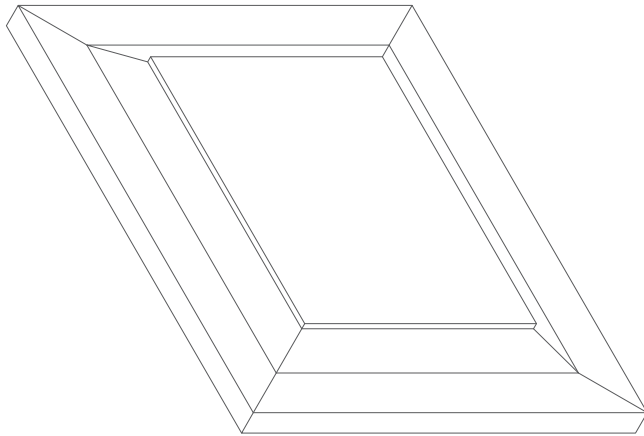
NOT TO SCALE

RP 2002 FULL SCALE

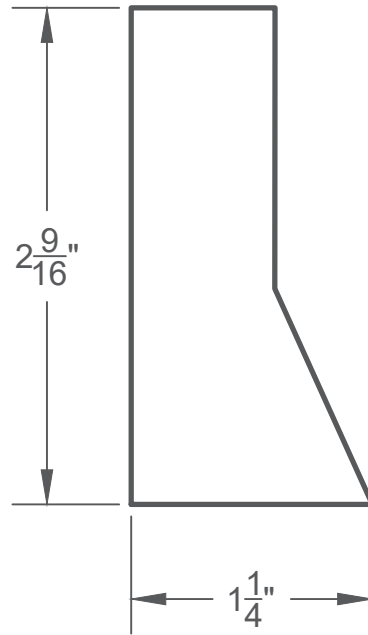


NOT TO SCALE

RP 2005 FULL SCALE

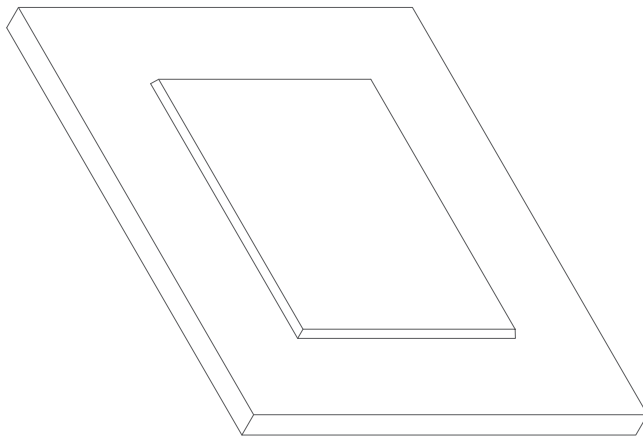


NOT TO SCALE

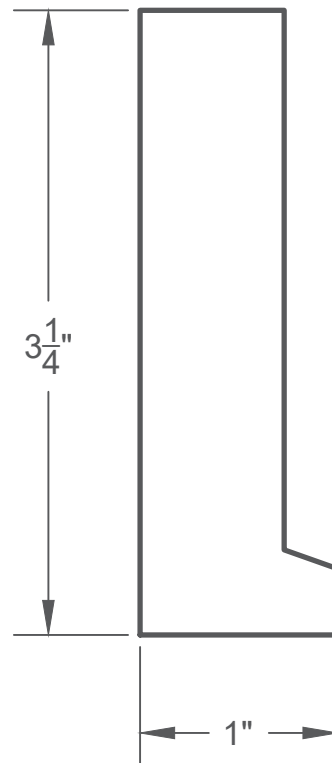


RP 2007

FULL SCALE



NOT TO SCALE

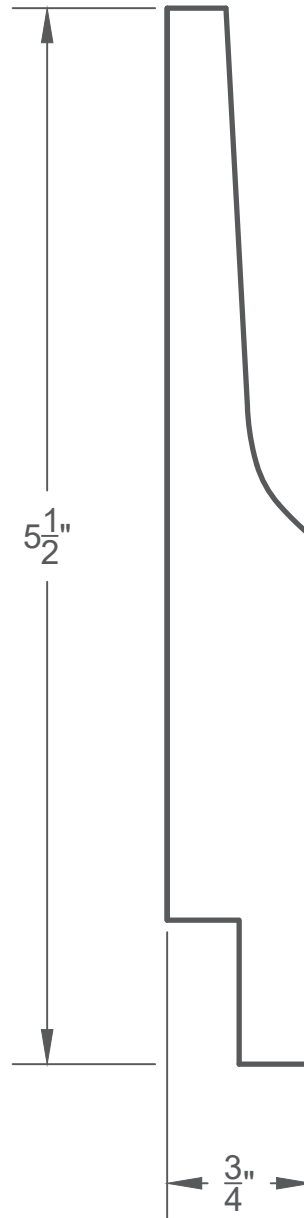
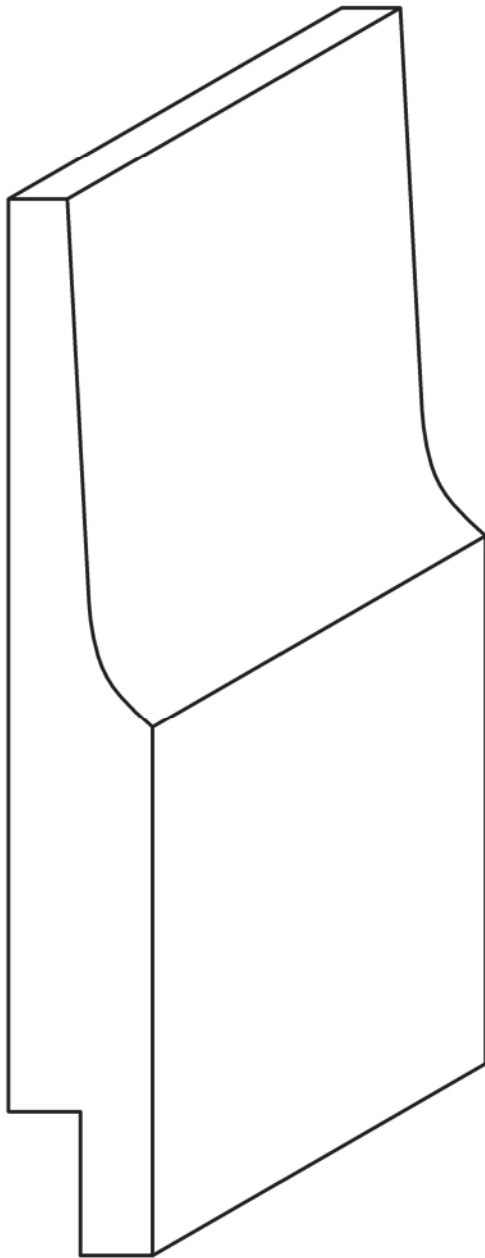


RP 2008

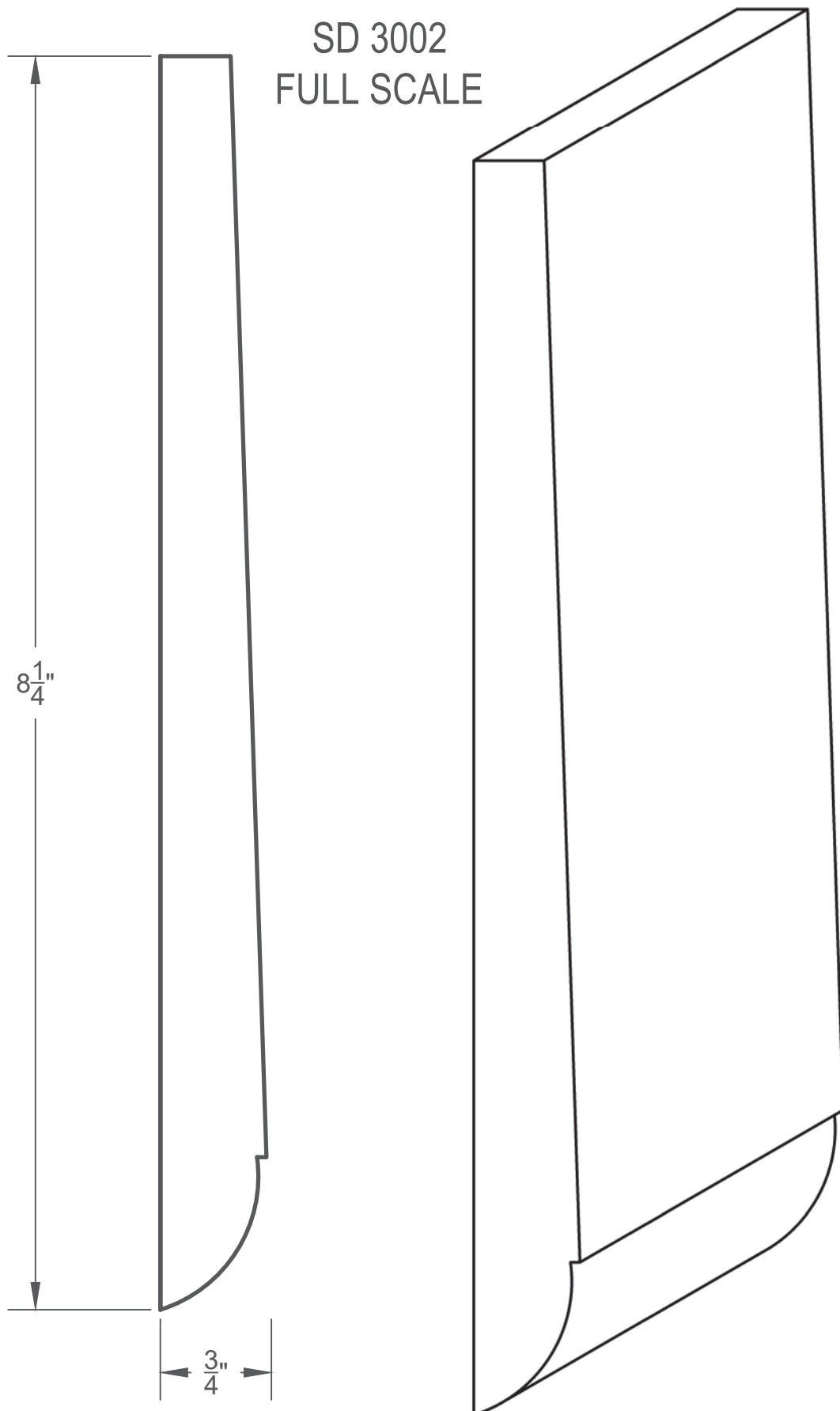
FULL SCALE

RAISED PANELS

SIDING

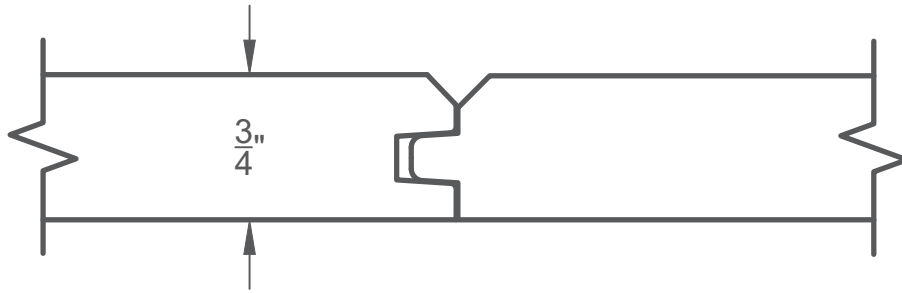


SD 3001 FULL SCALE

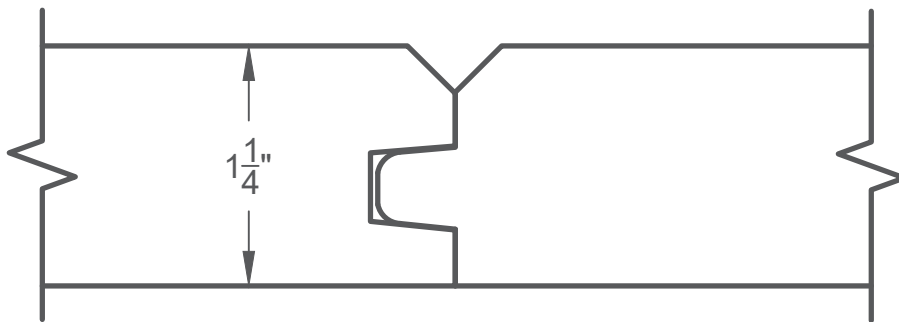
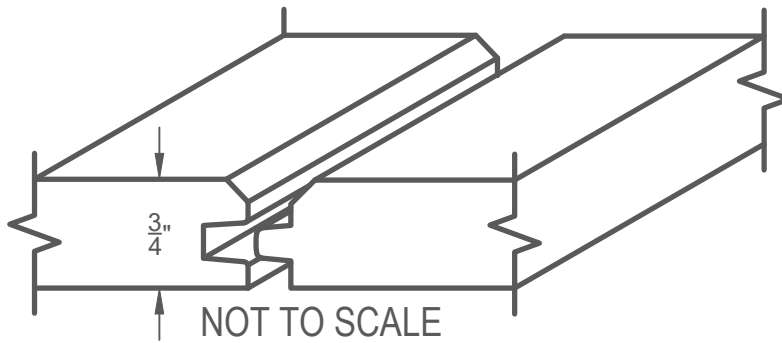


SIDING

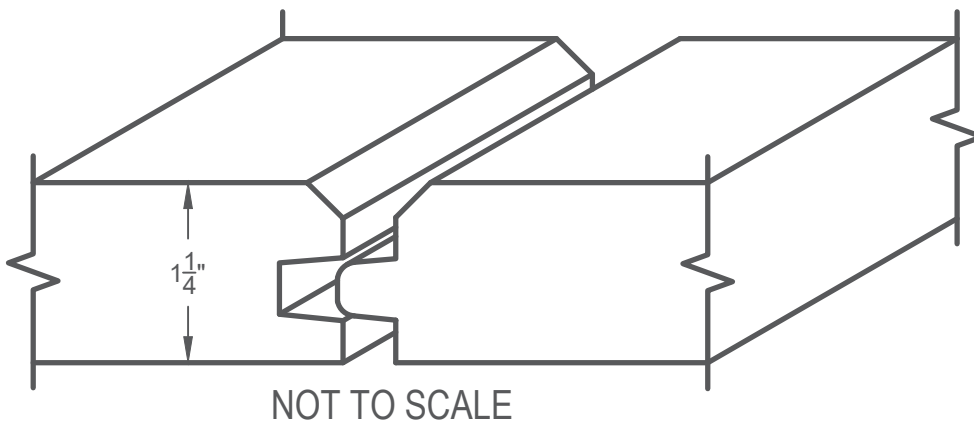
TONGUE AND GROOVE

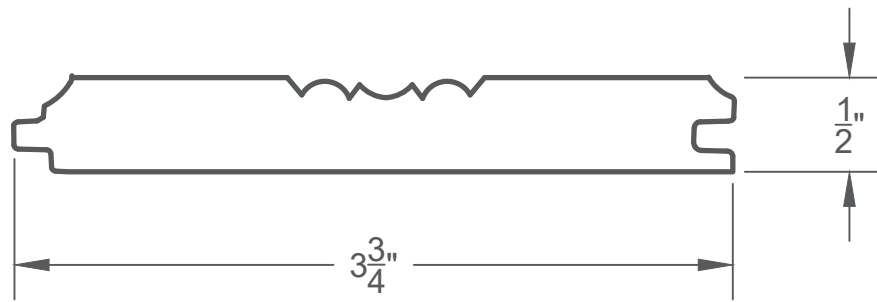


TG 1001 FULL SCALE

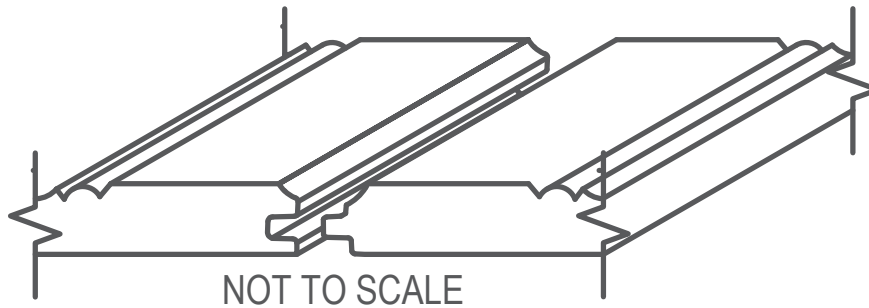


TG 1002 FULL SCALE

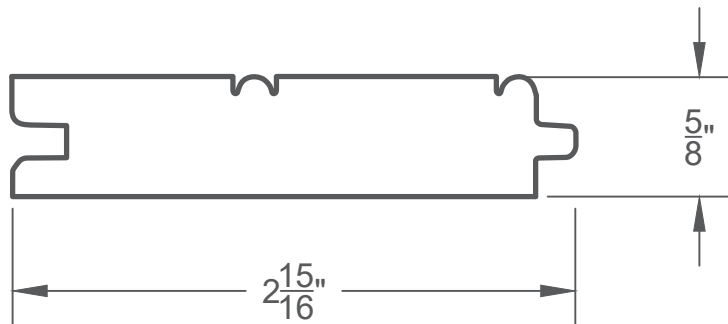




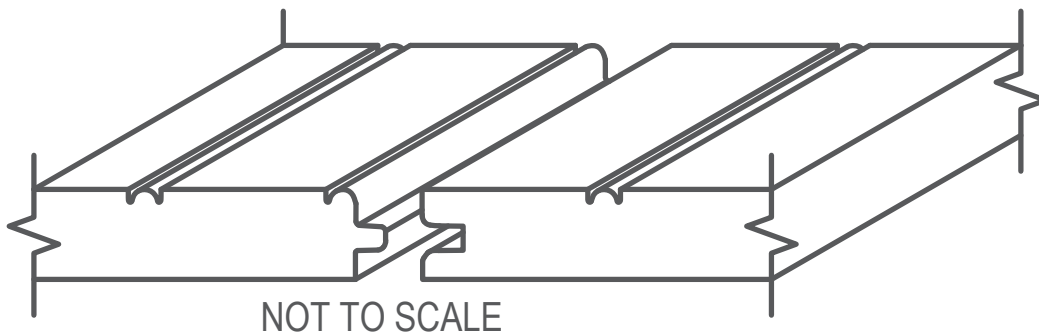
TG 1004 FULL SCALE



NOT TO SCALE



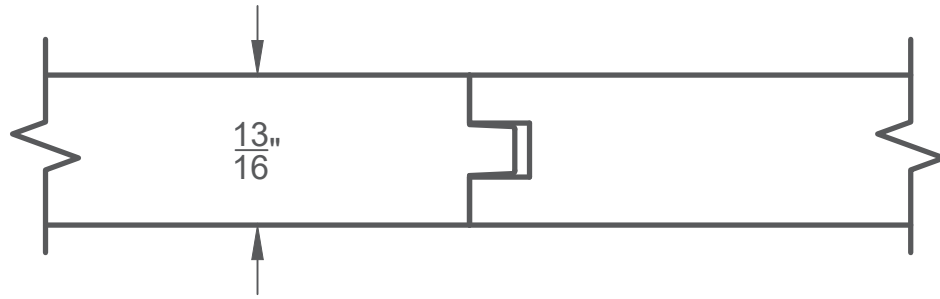
TG 1006 FULL SCALE



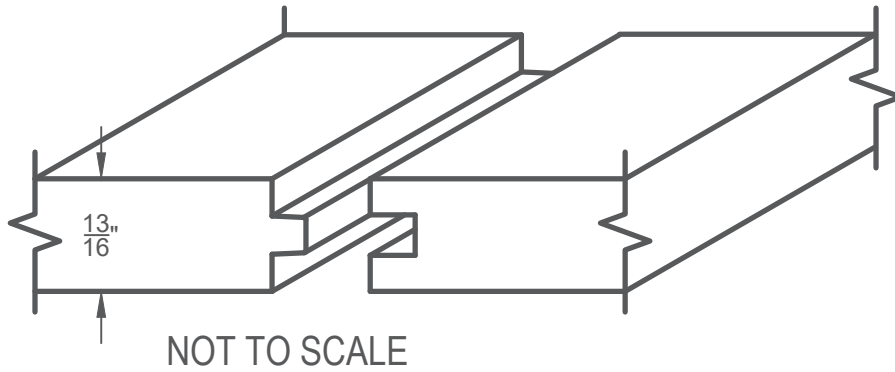
NOT TO SCALE

TONGUE AND GROOVE

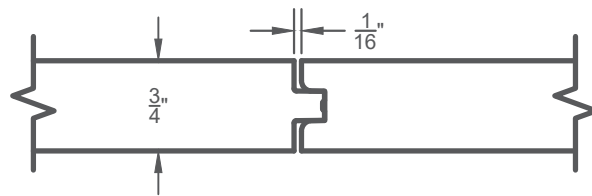
TONGUE AND GROOVE



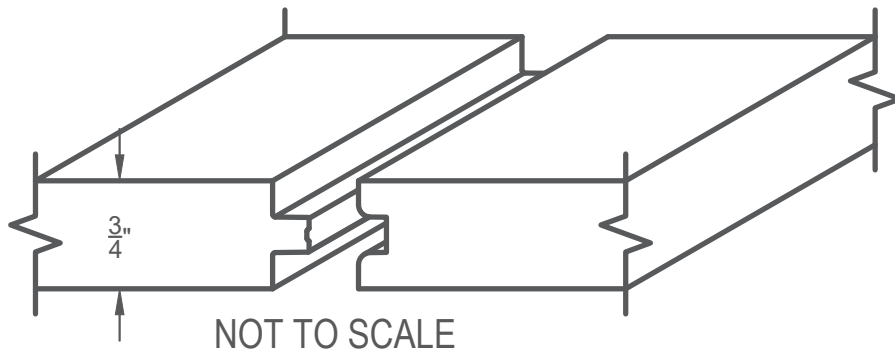
TG 1008 FULL SCALE

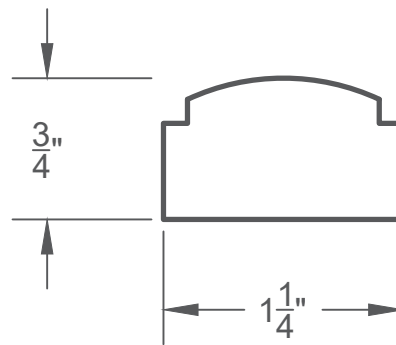
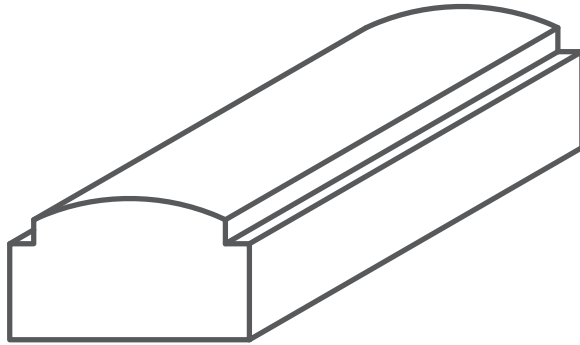


TG 1010

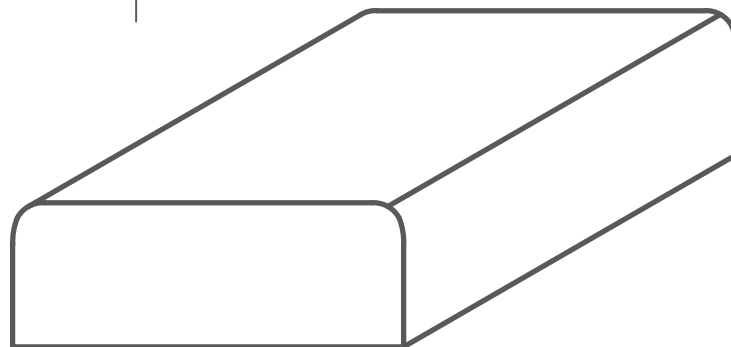
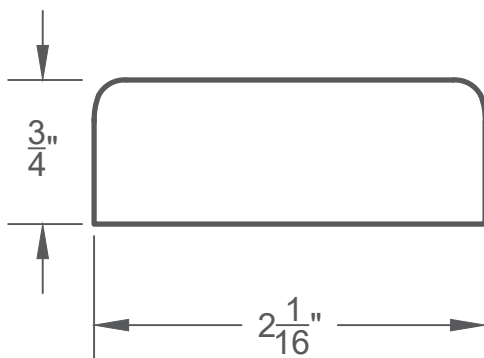


TG 1010 FULL SCALE





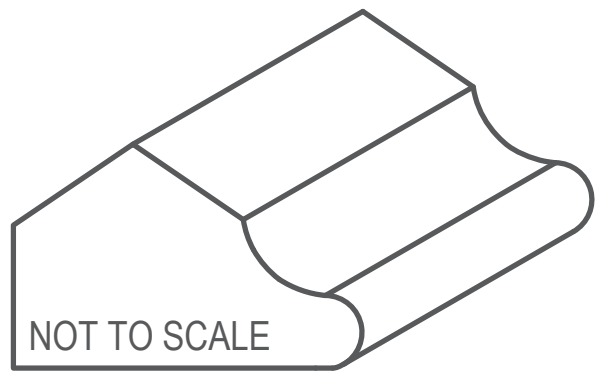
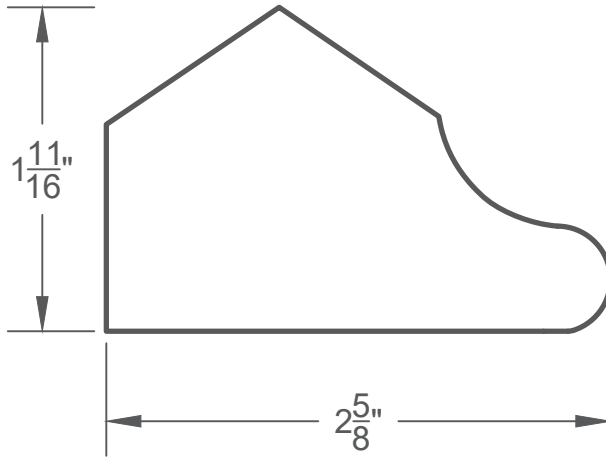
BB 1013 FULL SCALE



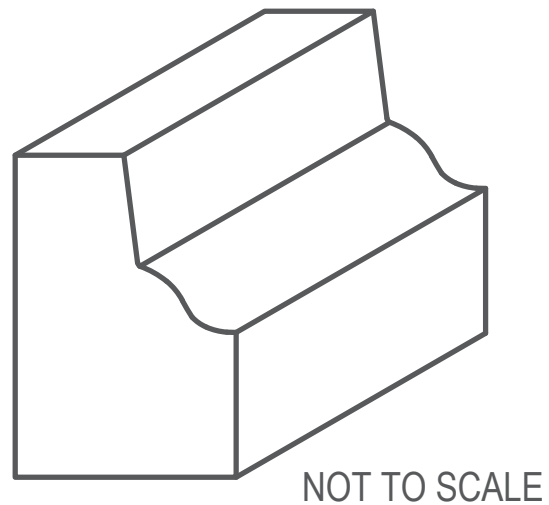
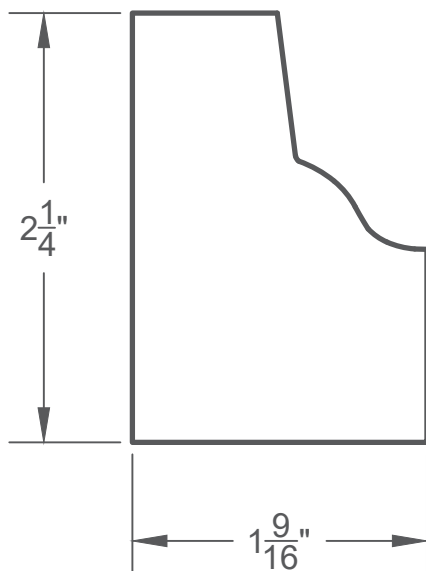
BB 1015 FULL SCALE

VERSATILE PROFILES

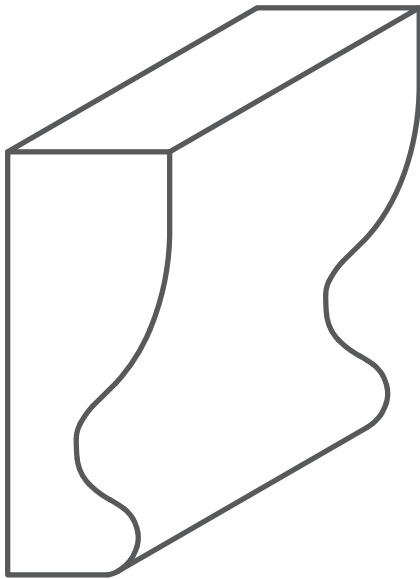
VERSATILE PROFILES



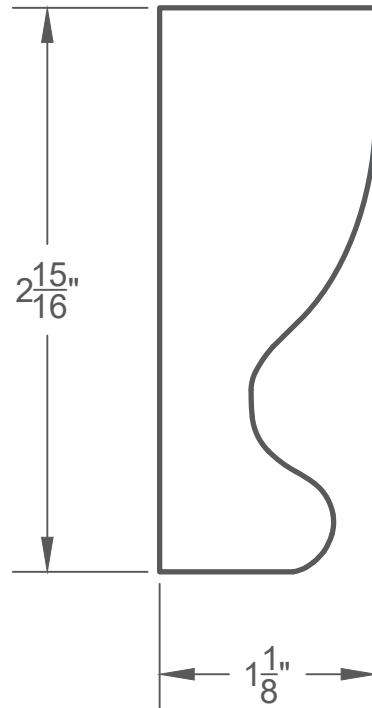
BB 2007 FULL SCALE



BA 2001 FULL SCALE

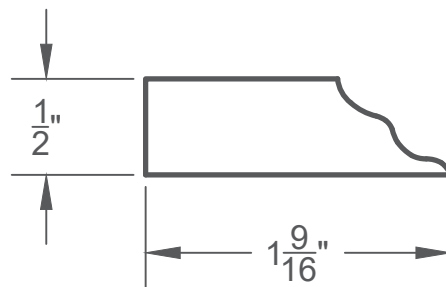
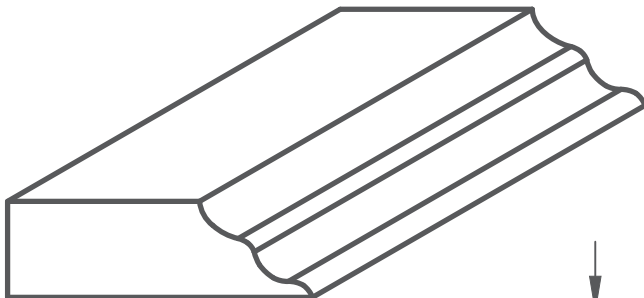


NOT TO SCALE



BED 2005

FULL SCALE

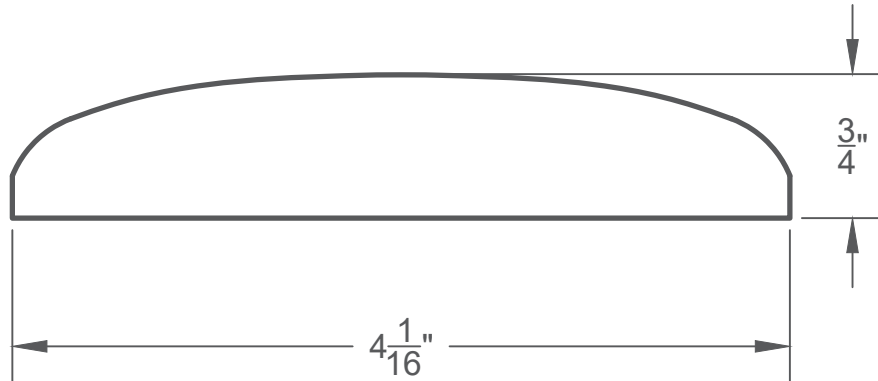


CN 1001

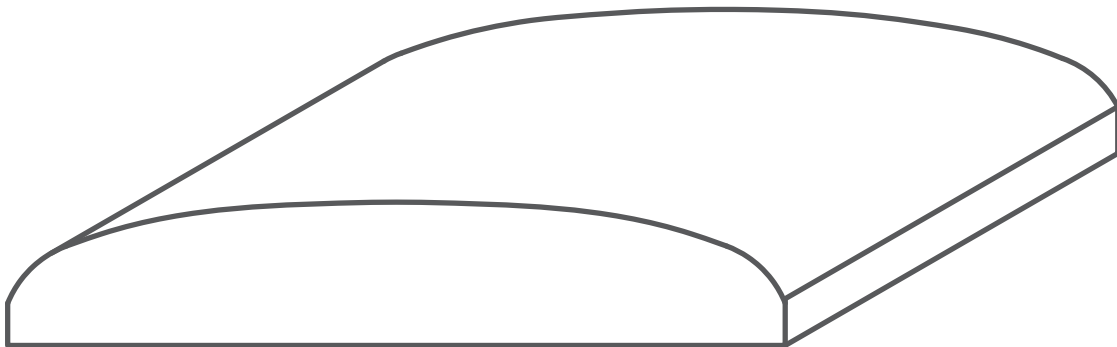
FULL SCALE

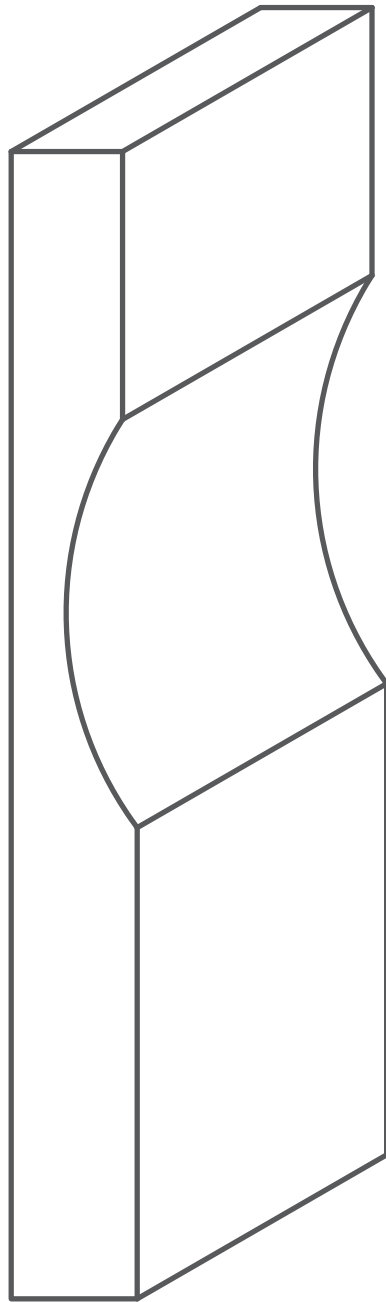
VERSATILE PROFILES

VERSATILE PROFILES

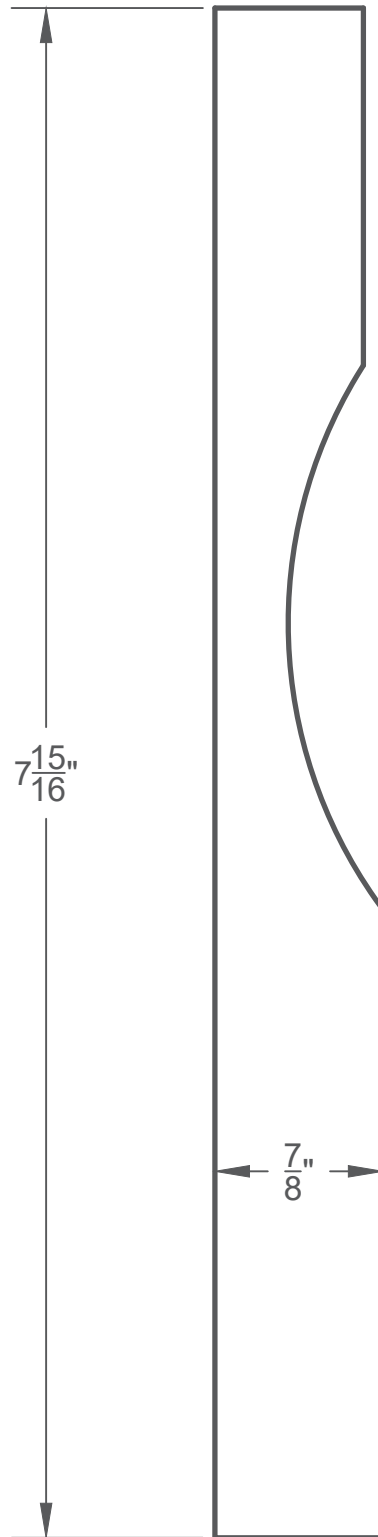


CN 2020 FULL SCALE





NOT TO SCALE

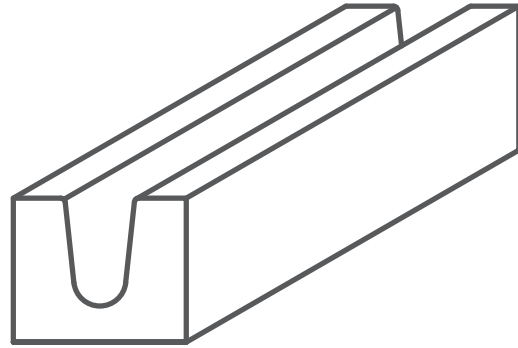
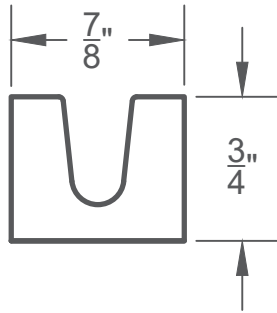


CN 3005

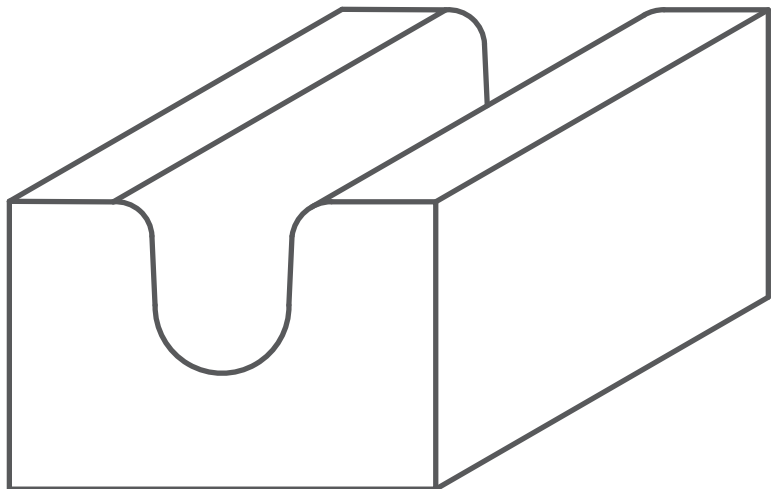
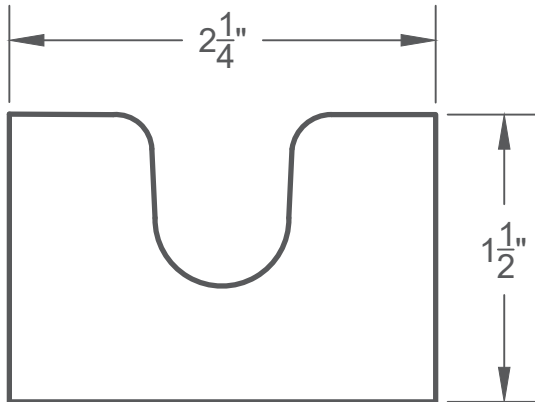
FULL SCALE

VERSATILE PROFILES

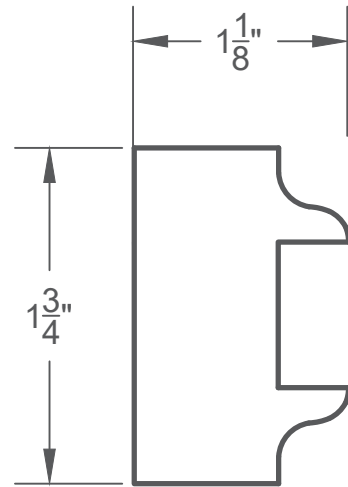
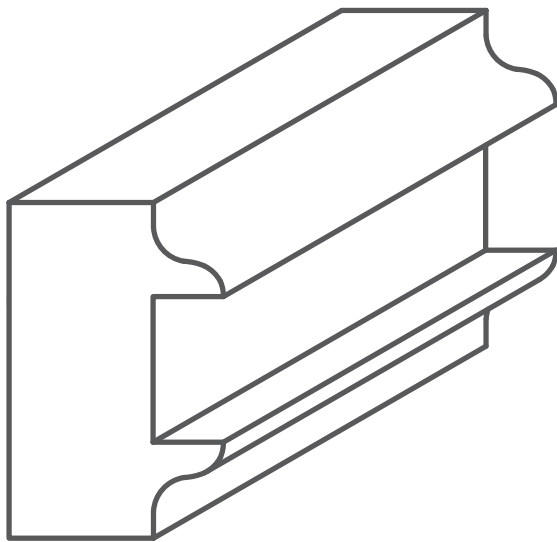
VERSATILE PROFILES



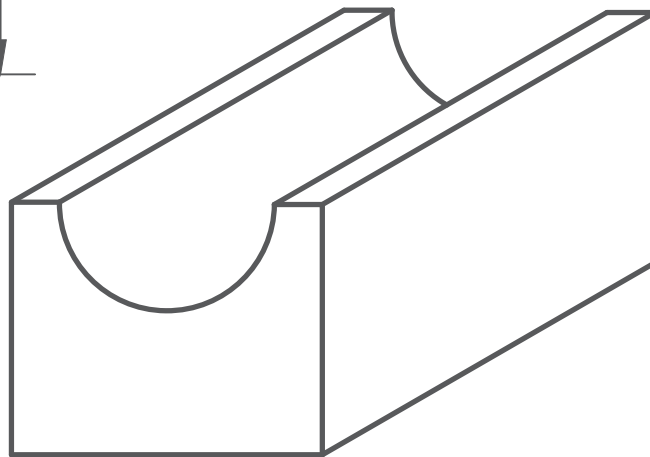
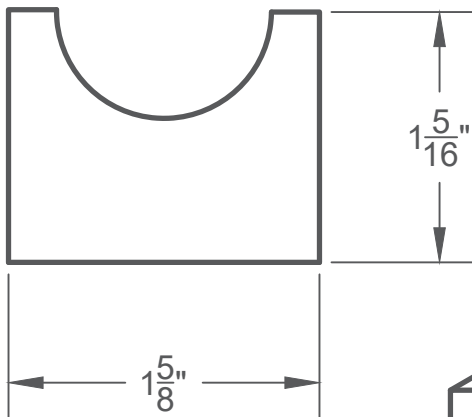
CS 1013 FULL SCALE



CS 1014 FULL SCALE



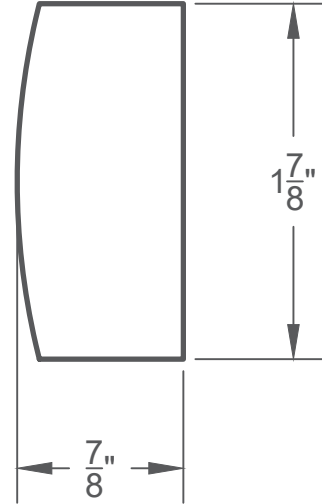
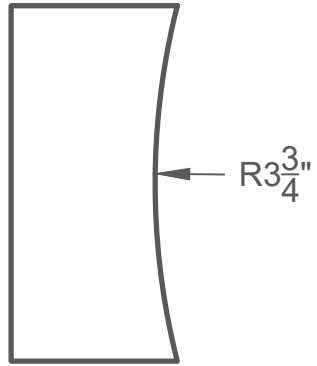
CS 1015 FULL SCALE



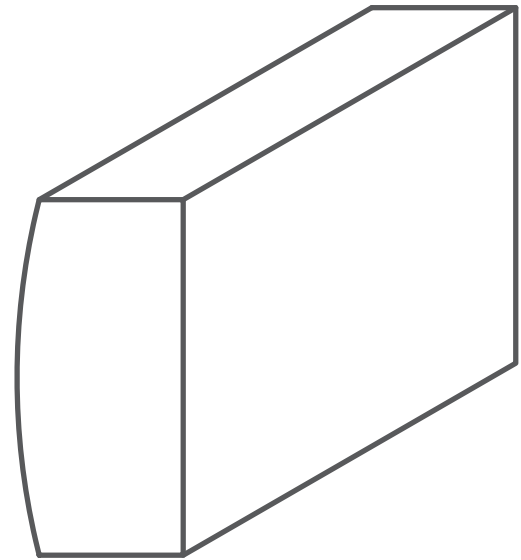
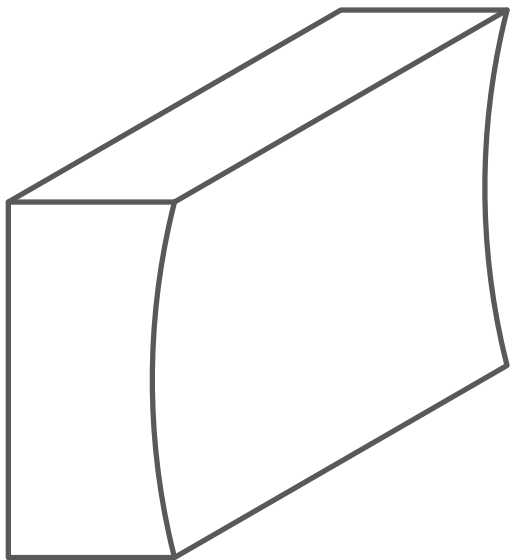
CV 1003 FULL SCALE

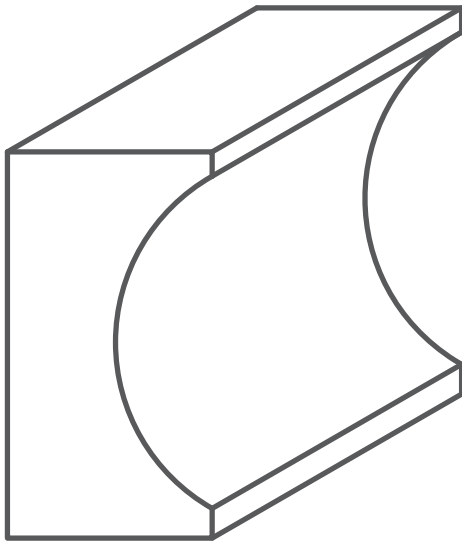
VERSATILE PROFILES

VERSATILE PROFILES

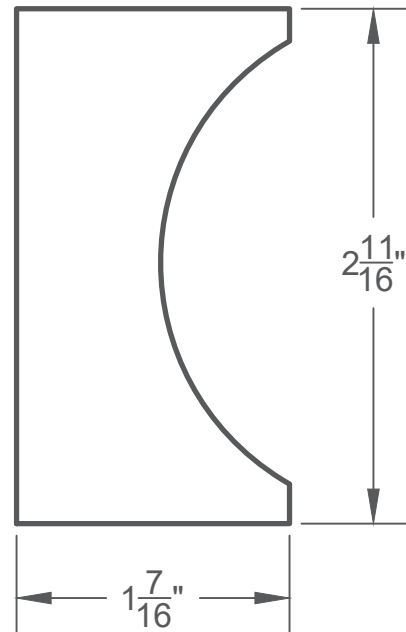


CV 1004 FULL SCALE

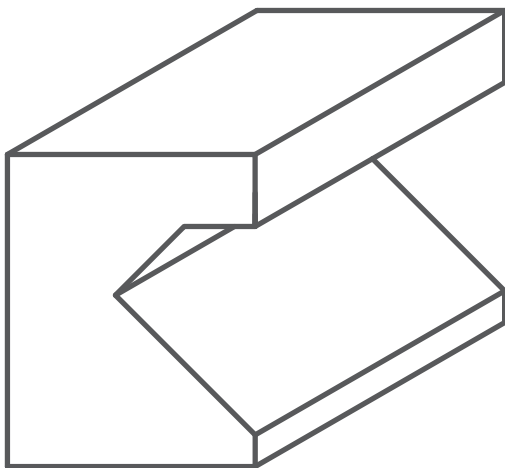




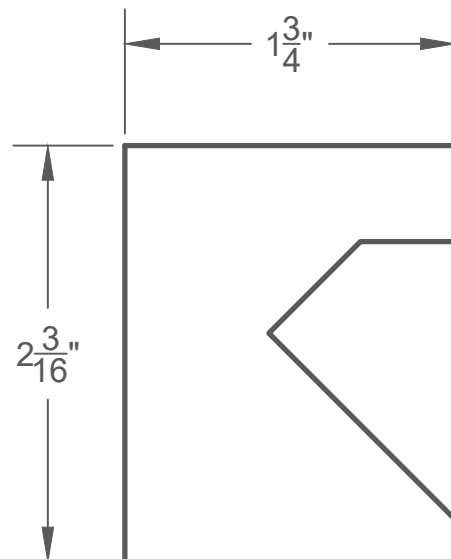
NOT TO SCALE



CV 2002 FULL SCALE



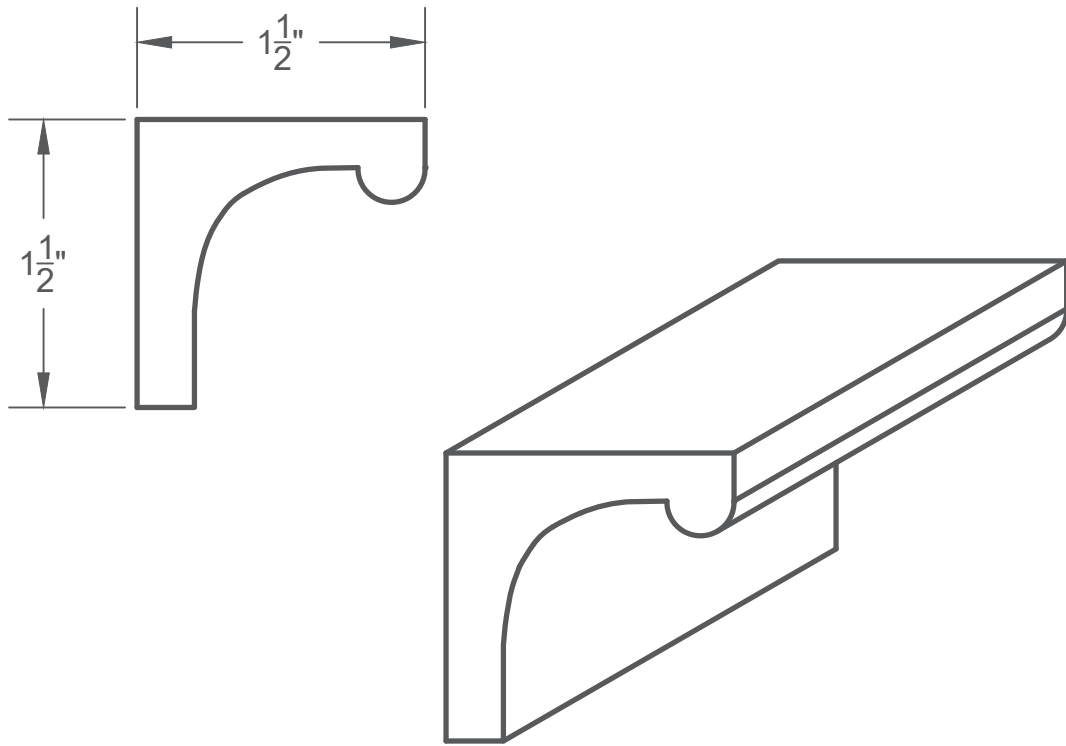
NOT TO SCALE



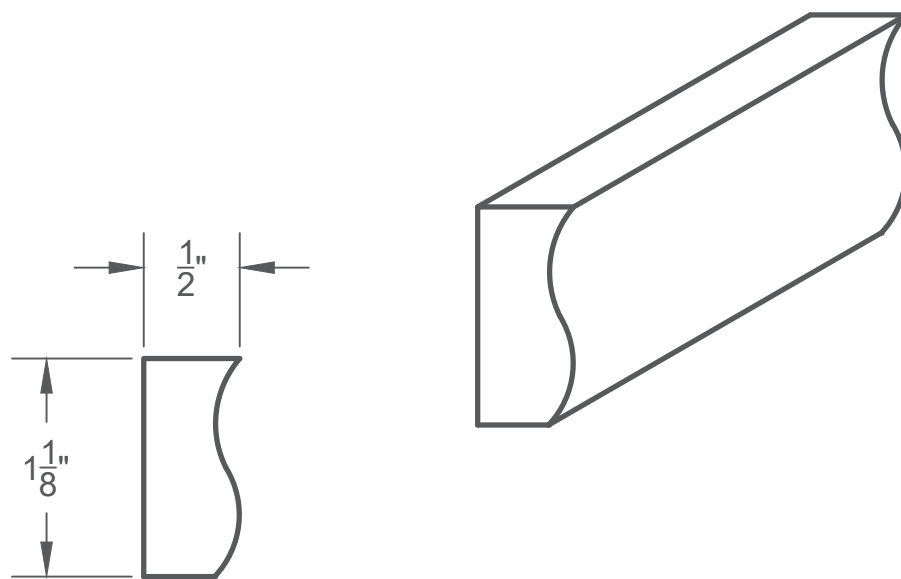
CW 2019 FULL SCALE

VERSATILE PROFILES

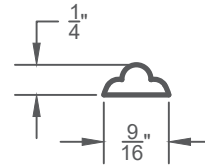
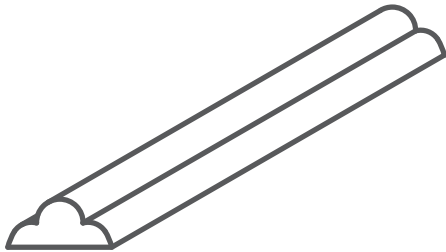
VERSATILE PROFILES



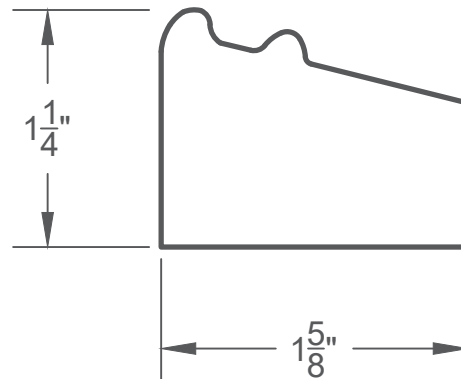
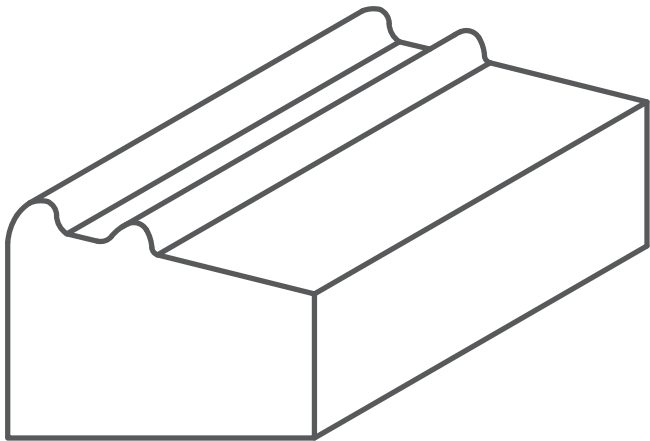
MT 1001 FULL SCALE



PM 1072 FULL SCALE



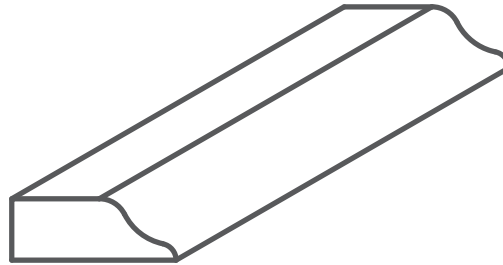
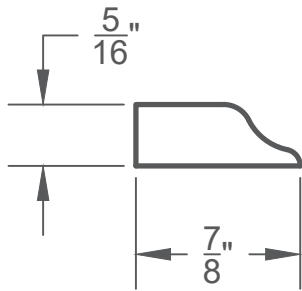
PM 1073 FULL SCALE



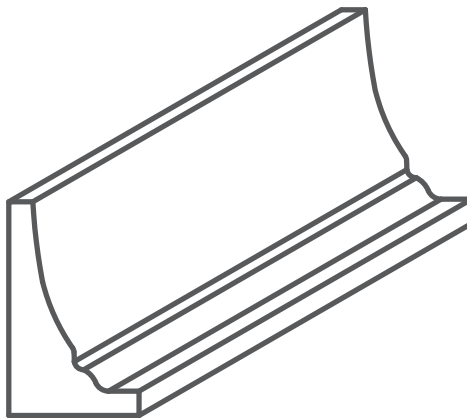
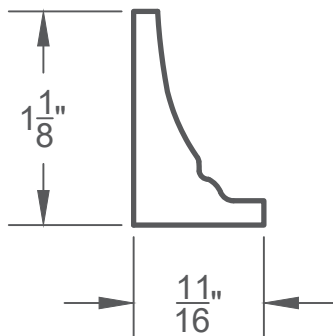
PM 1056 FULL SCALE

VERSATILE PROFILES

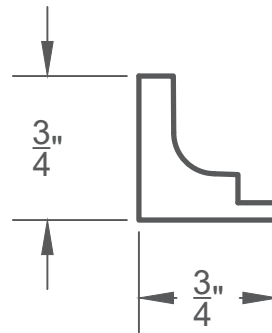
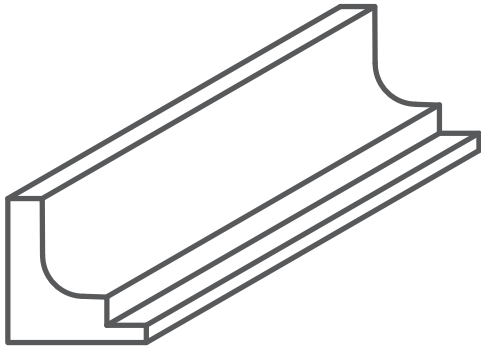
VERSATILE PROFILES



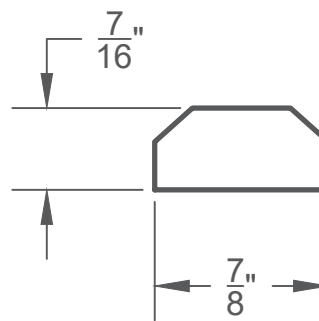
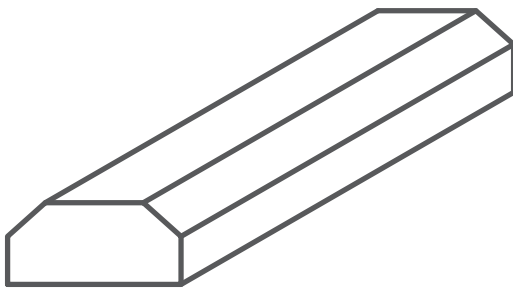
PM 1050 FULL SCALE



PM 1048 FULL SCALE



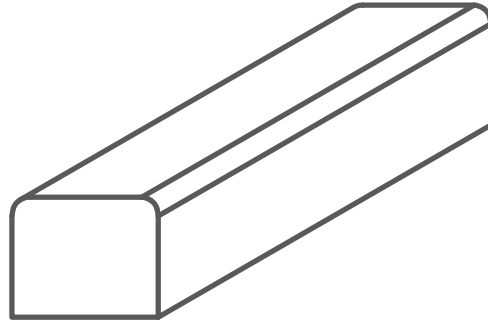
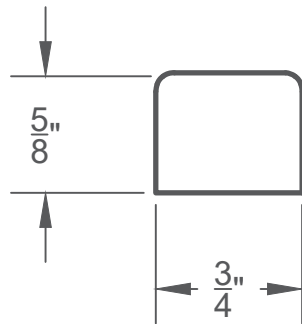
PM 1074 FULL SCALE



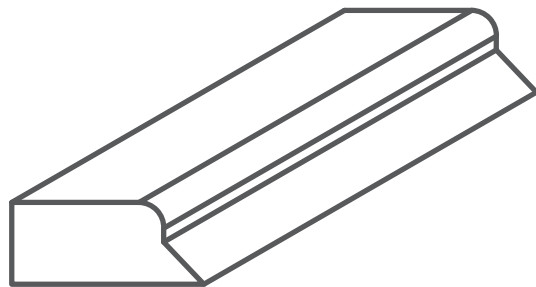
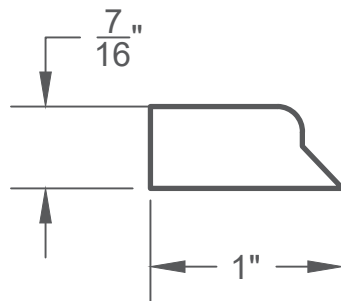
PM 1066 FULL SCALE

VERSATILE PROFILES

VERSATILE PROFILES

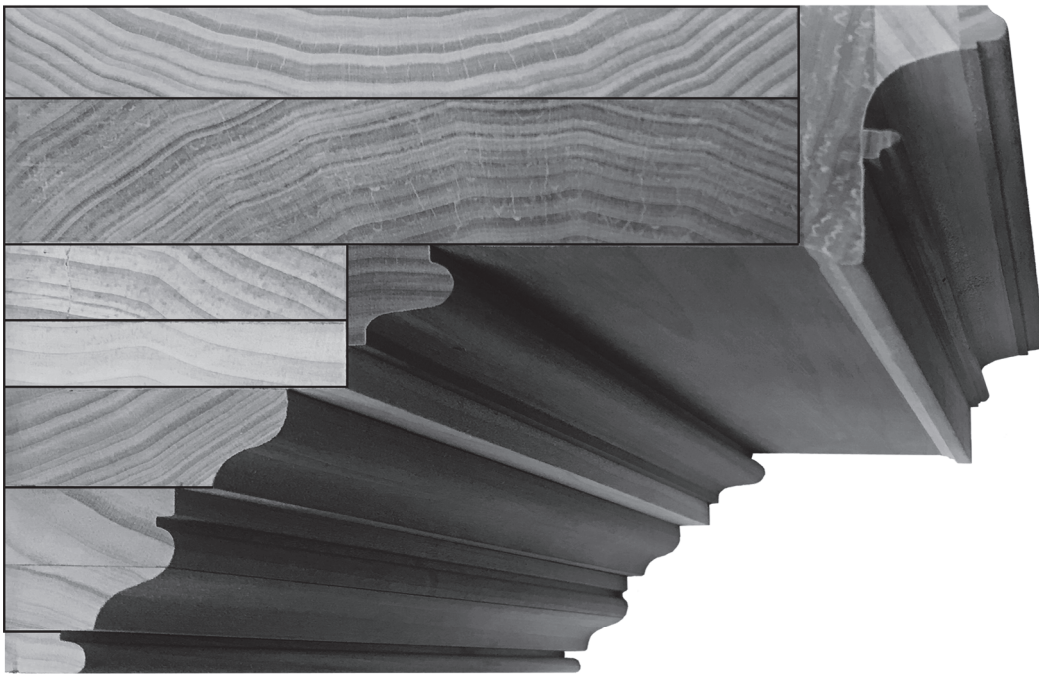


PM 1067 FULL SCALE



PM 1070 FULL SCALE

Using profiles creatively



Combine multiple profiles to create unique configurations and designs. This example is a series of profiles combined to make a mantel.

MILLWORK ASSEMBLY

MILLWORK ASSEMBLY

Using profiles creatively



Combine multiple profiles to create unique configurations and designs. This example is a series of profiles combined to make a pilaster capital.

Chair rails, raised panels, panel molds
base caps and base boards make up
a traditional wainscot.



MILLWORK ASSEMBLY



The Meadors Cabinetry and Millwork Shop



MEADORS

SINCE 1984

ARCHITECTURE CONSERVATION & PRESERVATION CABINETRY & MILLWORK
CONSTRUCTION ESTATE MANAGEMENT & MAINTENANCE DESIGN SERVICES

